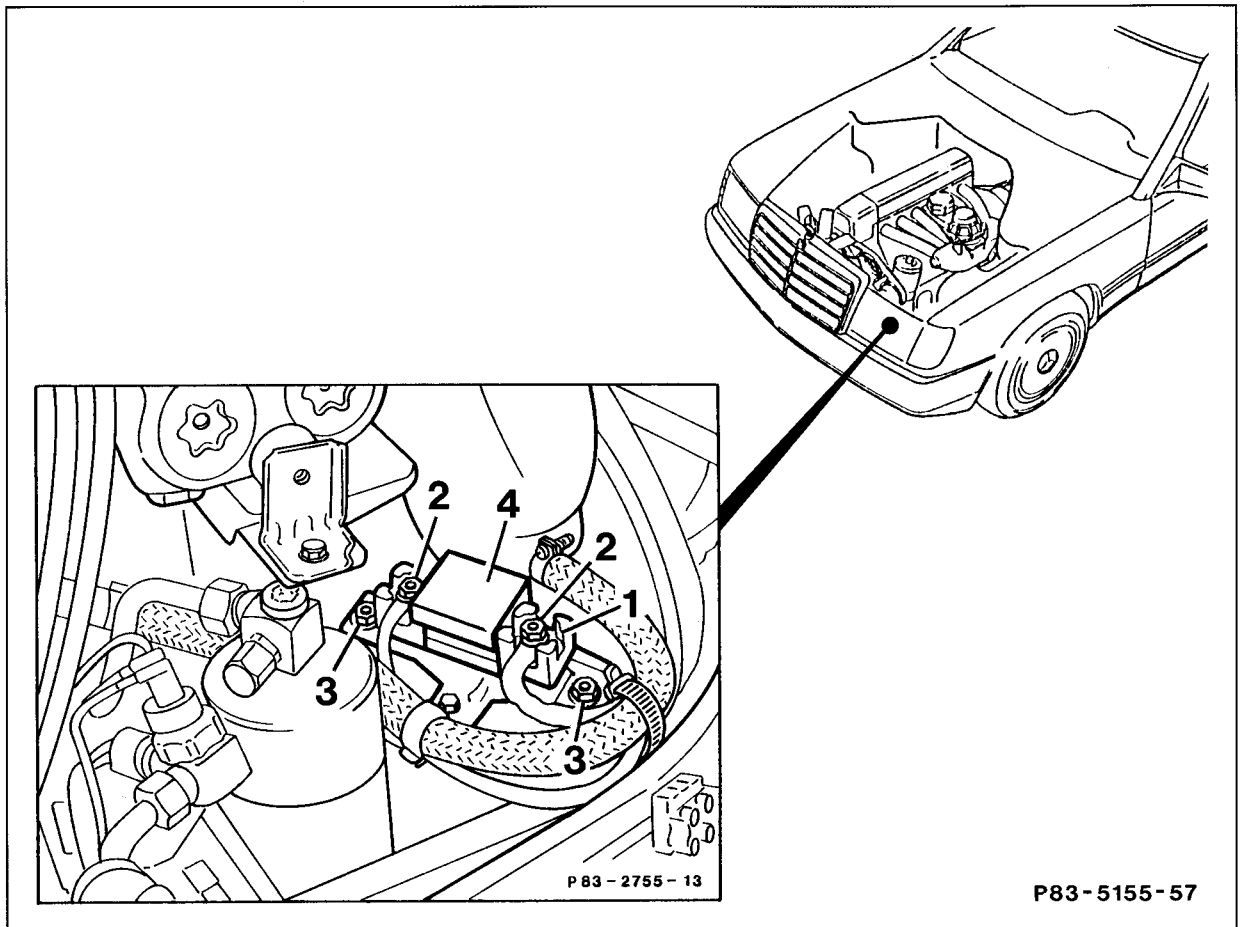


## 83-537 Removal and installation of series resistor for auxiliary fan

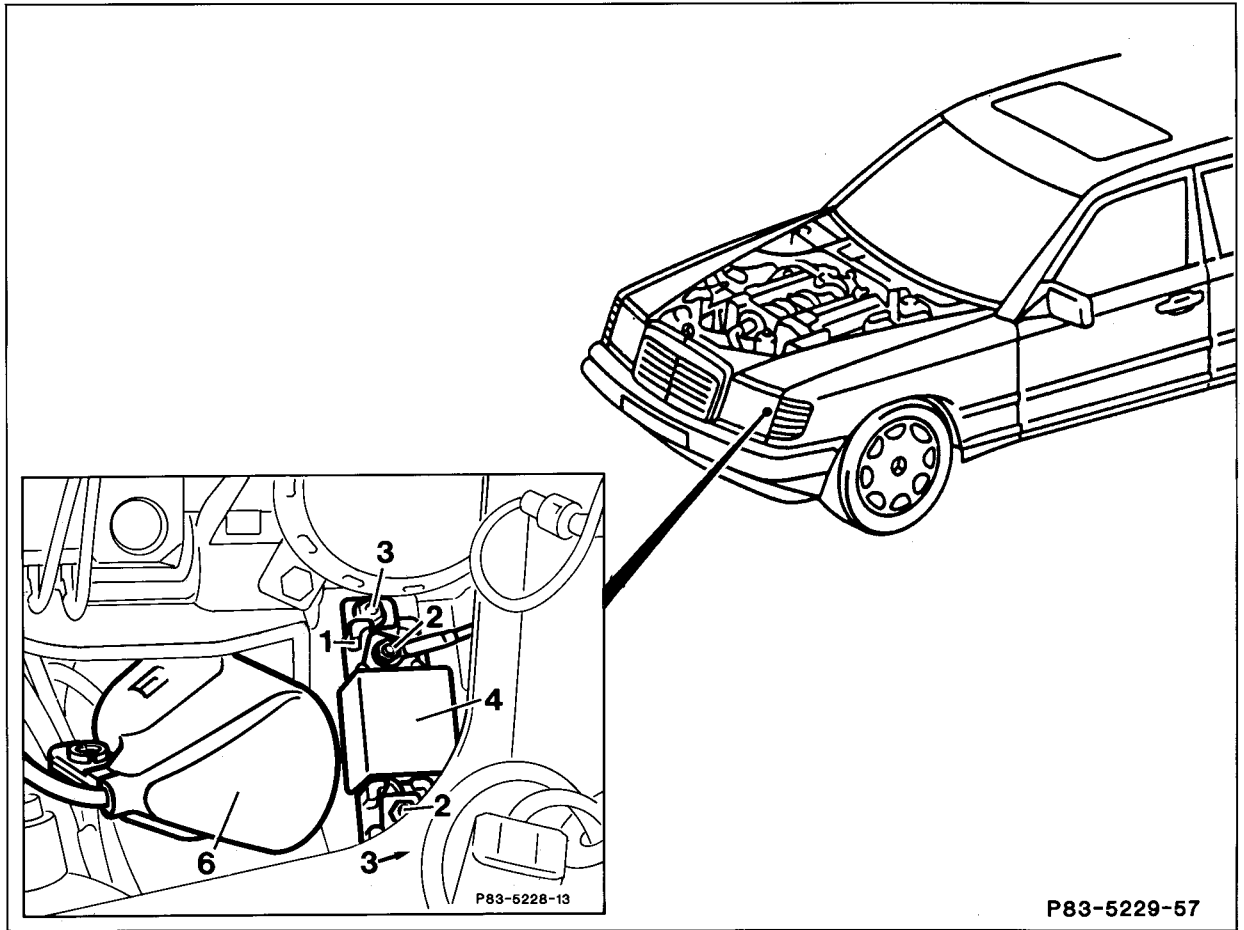
Operation no. of operation texts and work units, standard texts  
and flat rates:  
83-0620

### A. All models 124 except models 124.034/036



Front left headlamp .....	remove (82-052).
Nuts (2) .....	slacken and remove connection cable from series resistor (1).
Nuts (3) .....	slacken.
Series resistor (1) .....	remove together with cover (4).
Install .....	in reverse sequence.
Function check .....	perform, by detaching and bridging plug on coolant temperature sensor or on the pressure switch for auxiliary fan, with ignition on.

**B. Models 124.034/036**



- Cover for ignition coil (left-hand cylinder bank (6))
- Nuts (2) .....
- Nuts (3) .....
- Series resistor (1) with cover (4) .....
- Install .....
- Function check .....

- remove.
- unscrew and remove connection cable on series resistor (1).
- unscrew.
- remove.
- in reverse sequence.
- perform, detaching and bridging plug on coolant temperature sensor or on the pressure switch for auxiliary fan, with ignition on.

537