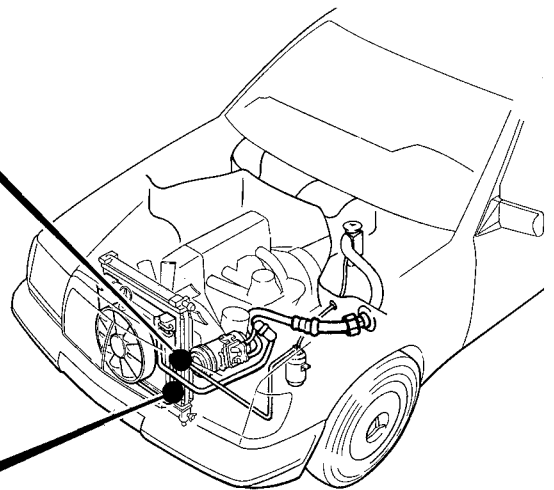
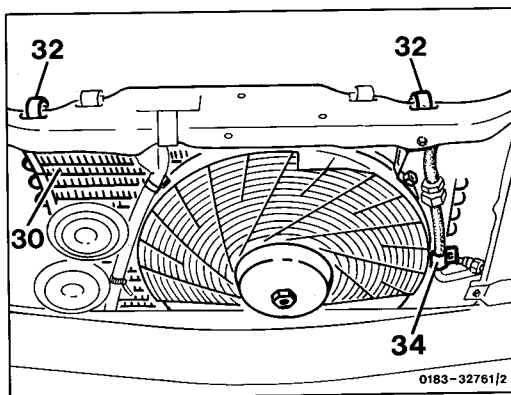
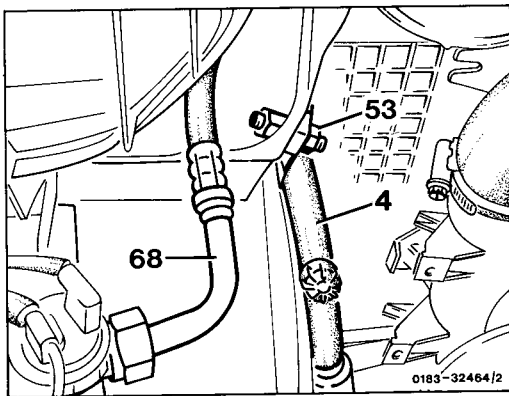


## 83-538 Removal and installation of condenser

Operation no. of operation texts and work units or standard texts  
and flat rates  
83-0730

### A. Engine 102 up to 12/88, engine 103 up to 08/89



Air conditioner .....	empty (recycling).
Radiator .....	remove, install (20-420).
Nut (53) .....	unscrew.
Pipeline (4) and hose (68) on condenser .....	remove.
Clip (34) .....	slacken.
Both clamps (32) .....	unclip and remove condenser upwards.
Removal and installation of auxiliary fan .....	see operation no. 83-560.

Reinstall in reverse order .....	moisten connection thread with compressor oil.
Fluid reservoir .....	replace (83-540).
Air conditioner .....	evacuate, recharge, check for proper function and leakage (83-508), allow engine to idle only in the first 4 minutes.

**Tightening torques (Nm)**

Pipeline (4) on condenser	29-37
Hoseline (68) on condenser	15-18

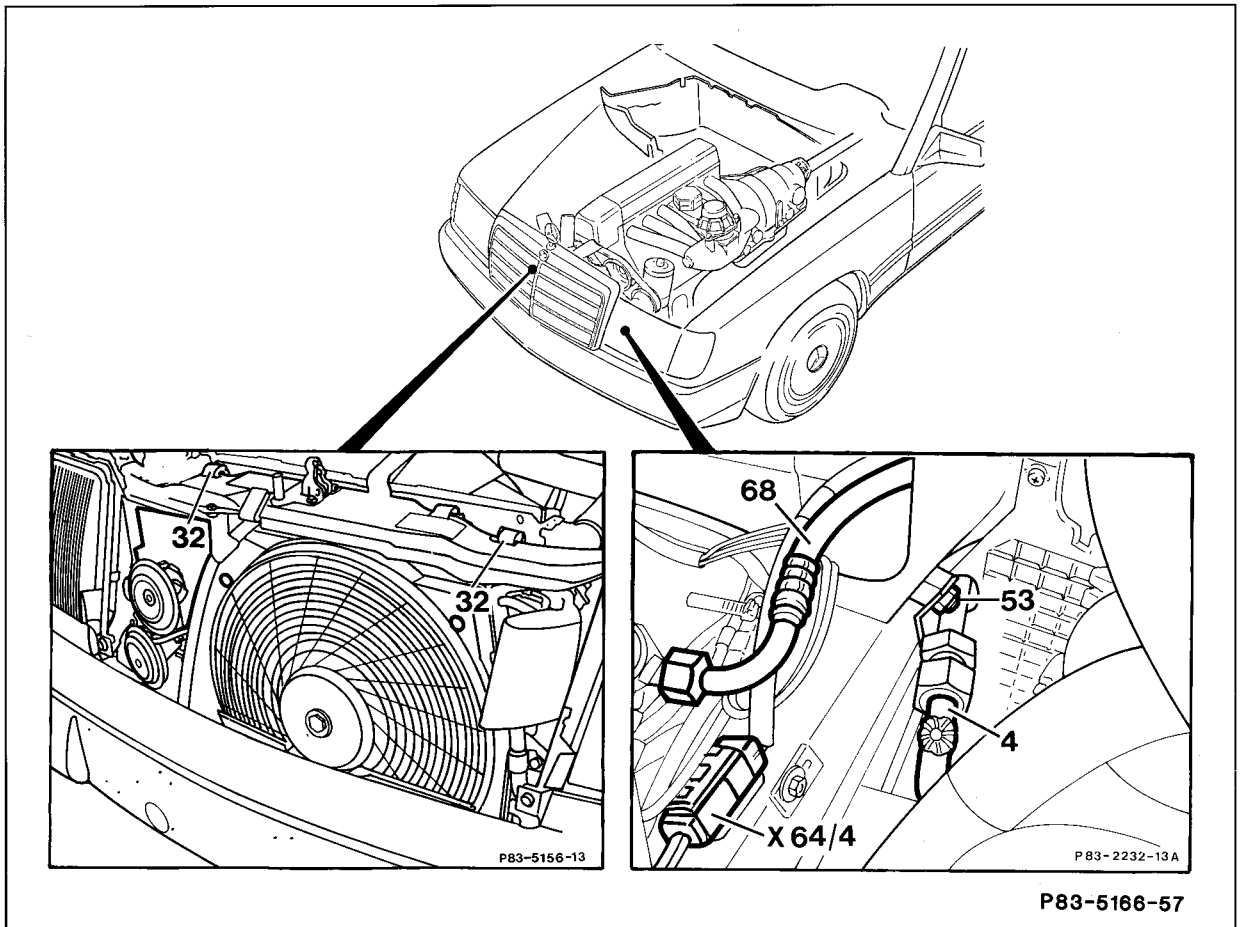
**Note**

If the condenser is not reinstalled immediately, blow out condenser with nitrogen. Then plug connections with plugs. When replacing condenser, fill with 20 cm<sup>3</sup> of compressor oil.



Parts which have come into contact with compressor oil for R12 or R134a may only be installed in systems operating with the same refrigerant.

**B. Engine 102 as of 01/89**



Air conditioner .....	empty (recycling).
Radiator .....	remove, install (20-420).
Nut (53) .....	unscrew.
2-pole plug connection (X64/4) .....	detach.
Pipeline (4) and hoseline (68) on condenser .....	remove.
Both clips (32) .....	unclip and remove condenser upwards.
Removal and installation of auxiliary fan .....	see operation no. 83-560.
Install in reverse sequence .....	lubricate connection thread with compressor oil.
Fluid reservoir .....	renew (83-540).
Air conditioner .....	evacuate, fill, check operation and for leakage (83-508), allowing the engine to idle only in the first 4 minutes.

**Tightening torques (Nm)**

Pipeline (4) on condenser	29-37
Hoseline (68) on condenser	15-18

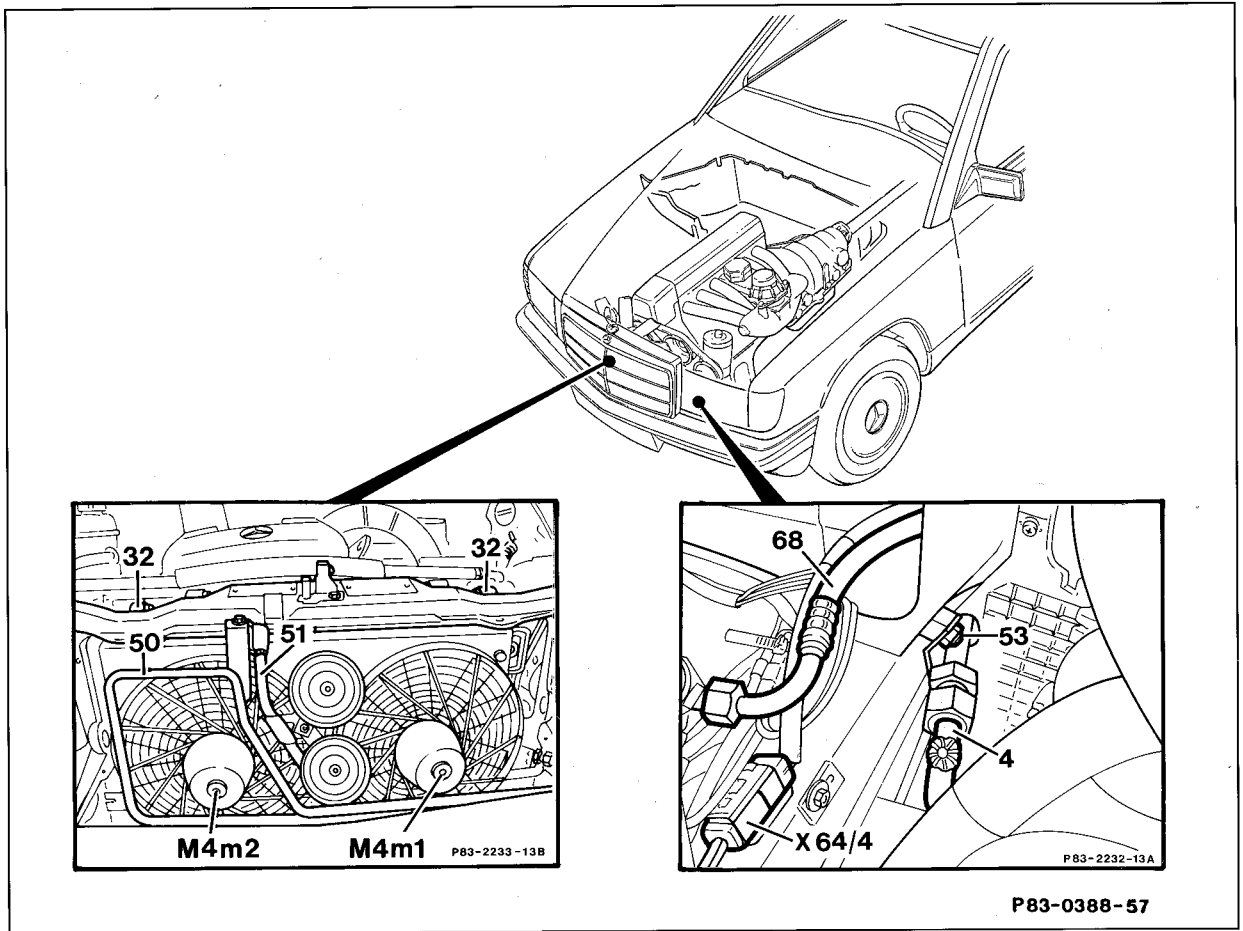
**Note**

If the condenser is not reinstalled immediately, blow out condenser with nitrogen. Then seal connections with plugs. When replacing condenser, fill with 20 cm<sup>3</sup> of compressor oil.



Parts which have come into contact with compressor oil for R12 or R134a may only be installed in systems operating with the same refrigerant.

**C. Engine 103 as of 09/89, 104 and 119**



Air conditioner .....	empty (recycling).
Radiator .....	remove, install (20-420).
Nut (53) .....	unscrew.
2-pole plug connection (X64/4) .....	detach.
Pipeline (4) and hoseline (68) on condenser .....	remove.
Both clips (32) .....	unclip and remove condenser upwards.
Removal and installation of auxiliary fan .....	see operation no. 83-560.
Install in reverse sequence .....	lubricate connection thread with compressor oil.
Fluid reservoir .....	renew (83-540).
Air conditioner .....	evacuate, fill, check operation and for leakage (83-508), allowing the engine to idle only in the first 4 minutes.

**Tightening torques (Nm)**

Pipeline (4) on condenser	29-37
Hoseline (68) on condenser	15-18

**Note**

If the condenser is not reinstalled immediately, blow out condenser with nitrogen. Then seal connections with plugs.

When replacing condenser, fill with 20 cm<sup>3</sup> of compressor oil.



Parts which have come into contact with compressor oil for R12 or R134a may only be installed in systems operating with the same refrigerant.