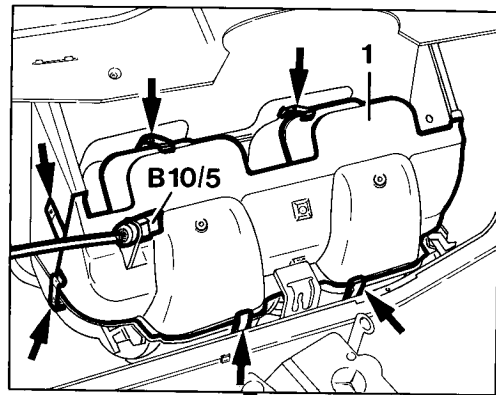
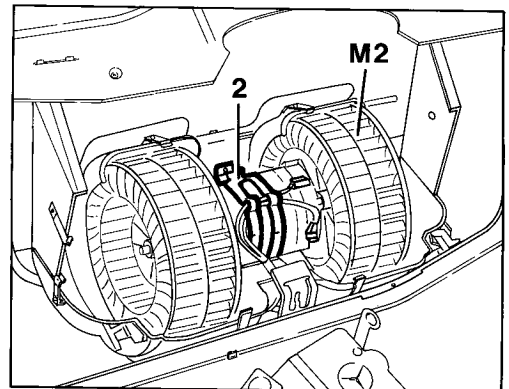


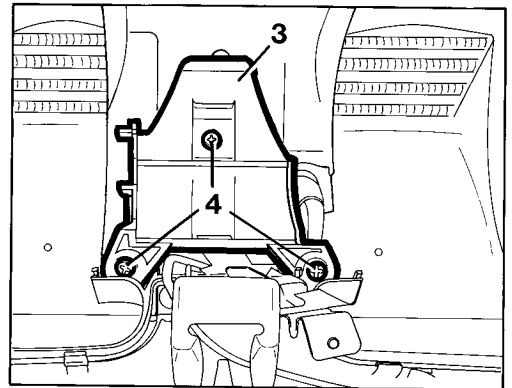
83-670 Removal and installation of electronic blower regulator



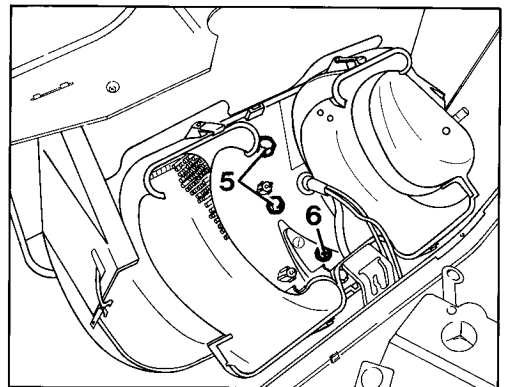
1



2

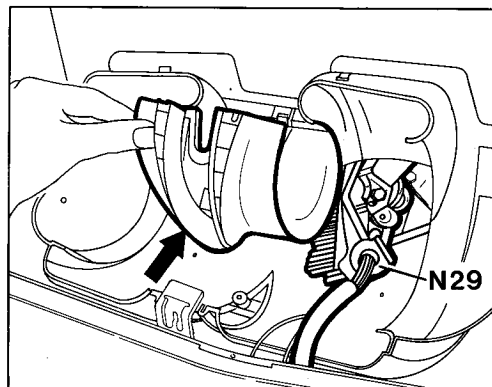
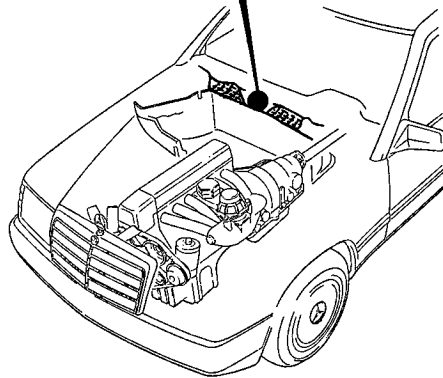


3



4

1832-15512/1



5



Wiper system	Remove (82-680)
Temperature sensor outside air (B10/5)	Pull out (Fig. 1)
Cover (1)	Remove, unclipping 8 clips (arrow) (Fig. 1)
Retaining strap (2)	Unclip (Fig. 2)
Flat plug on blower motor	Pull off and remove blower motor (M2, Fig. 2)
Holder (3)	Remove, unscrewing 3 screws (4, Fig. 3)
Screws (5 and 6)	Unscrew (Fig. 4)
Housing in the area (arrow)	Carefully lift and remove blower regulator (N29) at the side (Fig. 5)
In reverse order	Install

