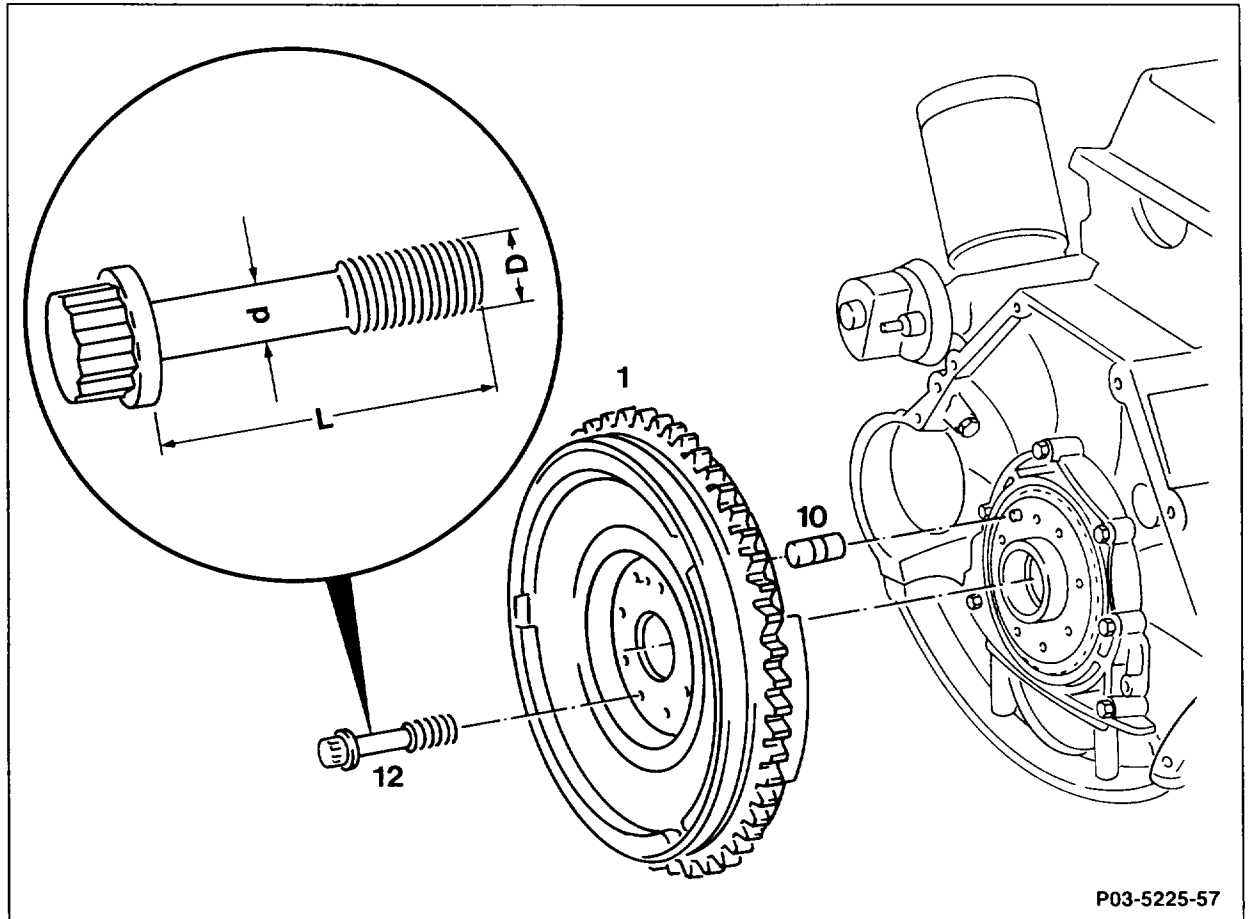


03-4620 Removing and installing two-mass flywheel

Preceding work:
 Manual transmission removed (26-020).
 Clutch removed (25-050).
 Holding lock for crankshaft/ring gear installed (03-5000)

Operation no. of operation texts and work units or standard texts
 and flat rates

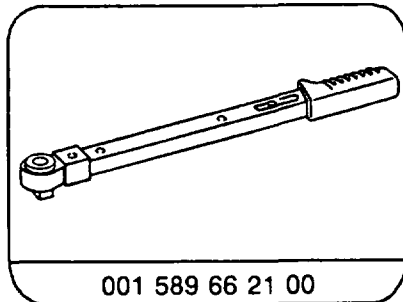


Stretch bolts (12)	unscrew, screw on.
Stretch bolts (12)	check, see table.
Stretch shaft below minimum dia. (d)	replace stretch bolt (12).
Two-mass flywheel (1)	remove, install.
Dowel pin (10)	note.

Data

Thread (D)		M10×1
Stretch shaft dia. (d)	when new	8.5 – 0.2
	minimum dia.	8.1
Bolt length (L)	when new	57 ± 0.2
Tightening torque	Initial torque	40 Nm + 90° tightening angle

Special tool



Note

If no angle of rotation torque wrench is available, the stretch bolts can be torqued further by the specified angle with a wrench socket and lever in a single operation. To eliminate angularity errors, do not use a bending rod torque wrench for tightening to angle of rotation torque.

Design of two-mass flywheel, see "Function of two-mass flywheel (03-4600)".

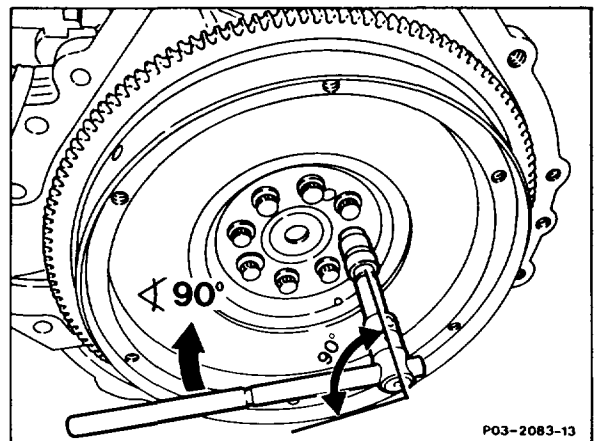
The two-mass flywheel must not be treated with preservation agents.

Reconditioned engines for the two-mass version are supplied only in the automatic transmission version.

The two-mass flywheel from the old engine should be used or replaced, if damaged.



The two-mass flywheel cannot be serviced and is supplied as a replacement part.



Two-mass flywheel, production breakpoint: 08/1989

Model	Engine	Engine end no.		Vehicle ident end no.	
		manual transmission	automatic transmission	A	F
124.026	103.940	026999	-	027793	*
124.030 124.050 124.090	103.983	031824	-	033313	124129
124.226	103.943	000447	-	069100	*
124.230 124.290	103.985	002138	-	037643	124011
129.060	103.984	Start of series production	-		
201.029	103.942	014907	-	508036	640695
463.2	103.987	Start of series production	-		

Two-mass flywheel with super wide angle damping, production breakpoint: 07/1991

Model	Engine	Engine end no.		Vehicle ident end no.	
		manual transmission	automatic transmission	A	F
124.026	103.940	036032	-	-	-
201.029	103.942	019743	-	-	-
124.030 124.050 124.090	103.983	043968	-	-	-
129.060	103.984	000736	-	-	-
463.2	103.987	000854	-	-	-