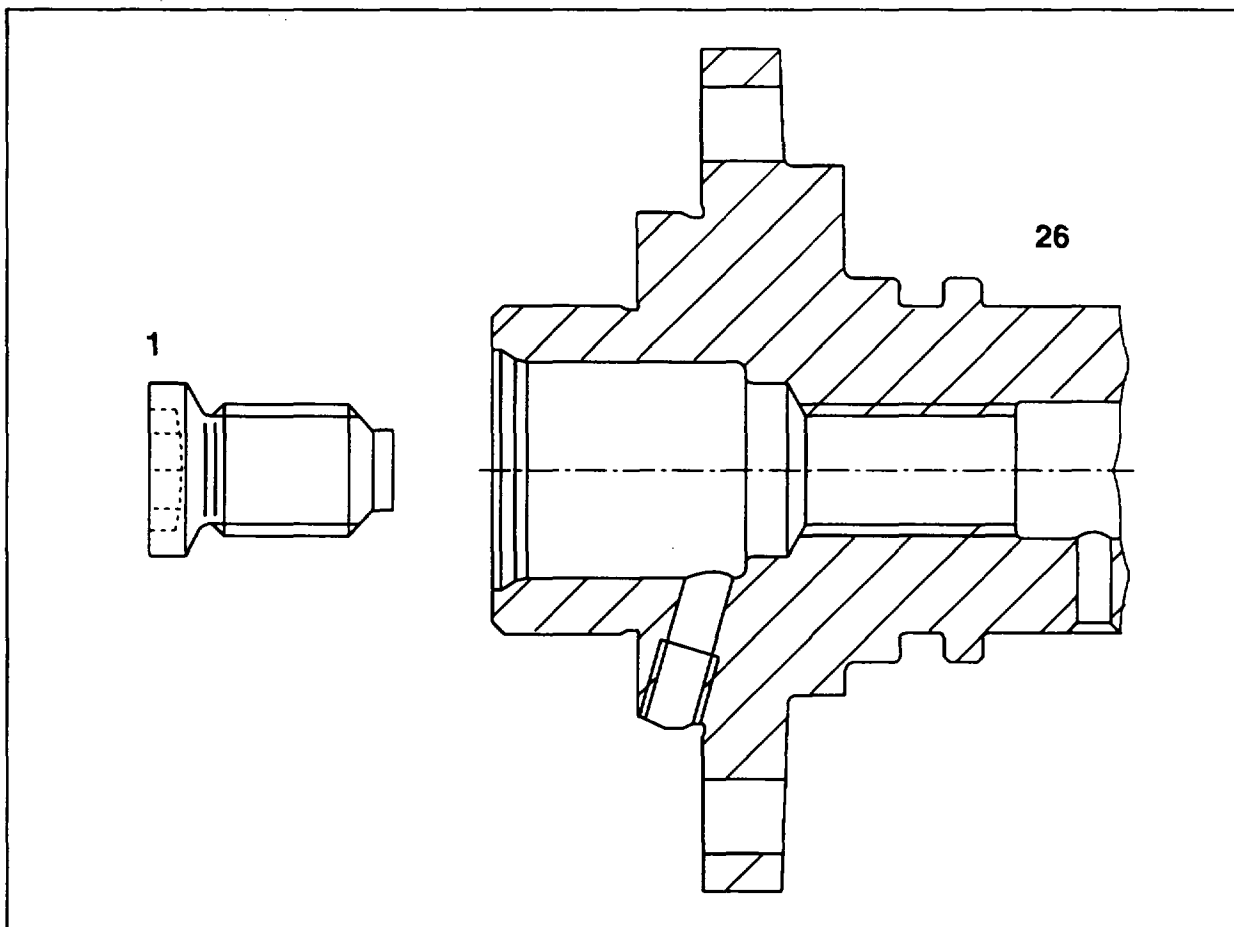


05-2218 Replacing threaded bush in front of camshaft

Preceding work:
Camshaft removed (05-2200)

Operation no. of operation texts and work units or standard texts
and flat rates



P05-5508-57

Threaded bush (1)	unscrew (torx)
Hollow-drilled camshaft (26)	clean
Thread at front of camshaft (26)	clean, remove grease
Threaded bush (1) (microencapsulated) part no. 103 997 00 15	replace, tighten (45 Nm)

Special tool

