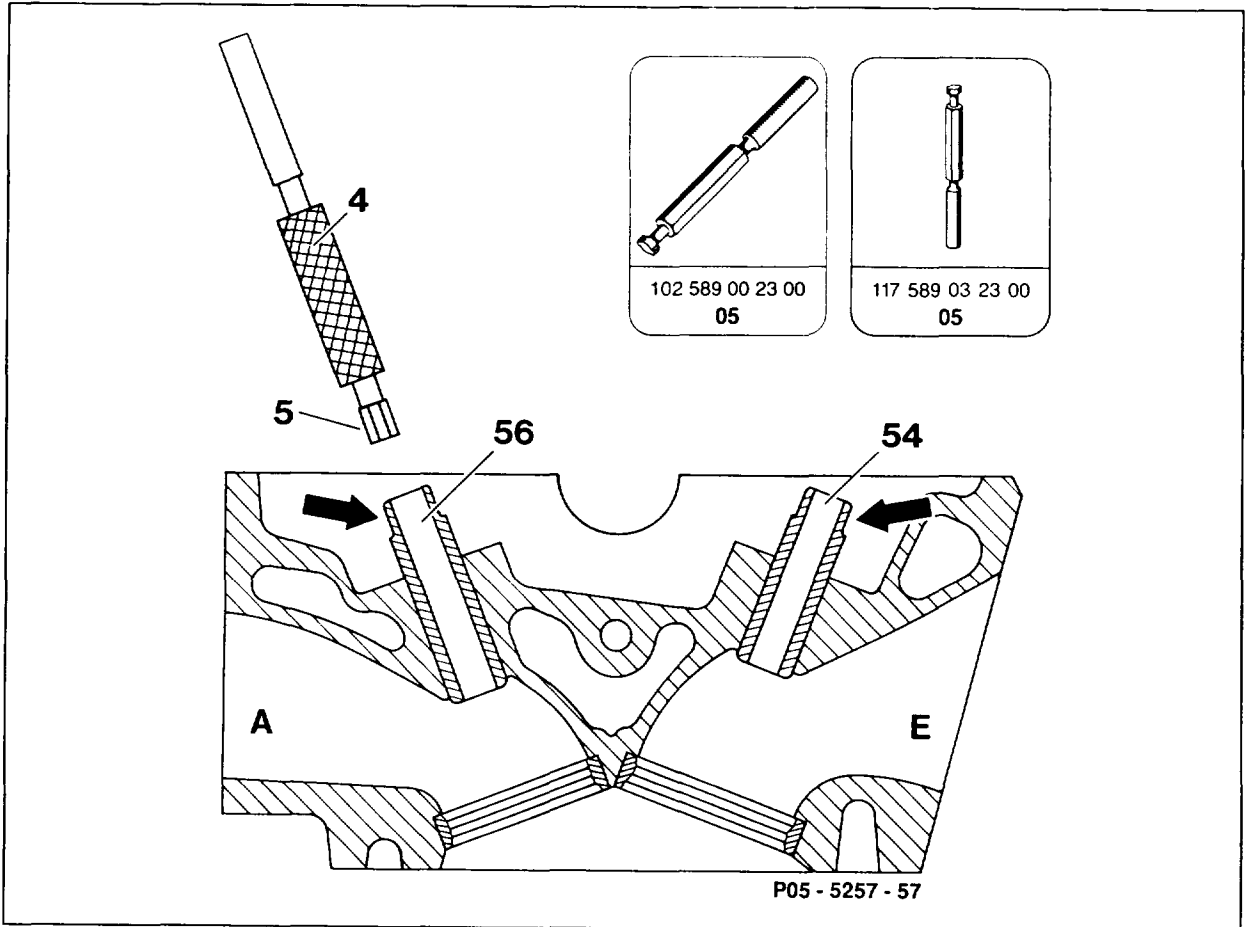


05-2845 Checking valve guides

Preceding work:
 Cylinder head removed (01-4150).
 Valves removed (05-2500).

Operation no. of operation texts and work units or standard texts
 and flat rates



Inlet and exhaust valve guides (54) and (56)	check in longitudinal and transverse direction with go/no go drift (4). Check whether no go end (5) can be inserted over its entire height (5 mm). Go/No go drift \varnothing 8 mm 102 589 00 23 00 for inlet valve guide Go/No go drift \varnothing 9 mm 117 589 03 23 00 for exhaust valve guide
Valve guide	replace (05-2850) if go/no go drift (5) can be inserted over its entire height
Seat (arrows) of valve stem seal at valve guides	check
Valve guide	replace (05-2850) if seat worn (arrows)