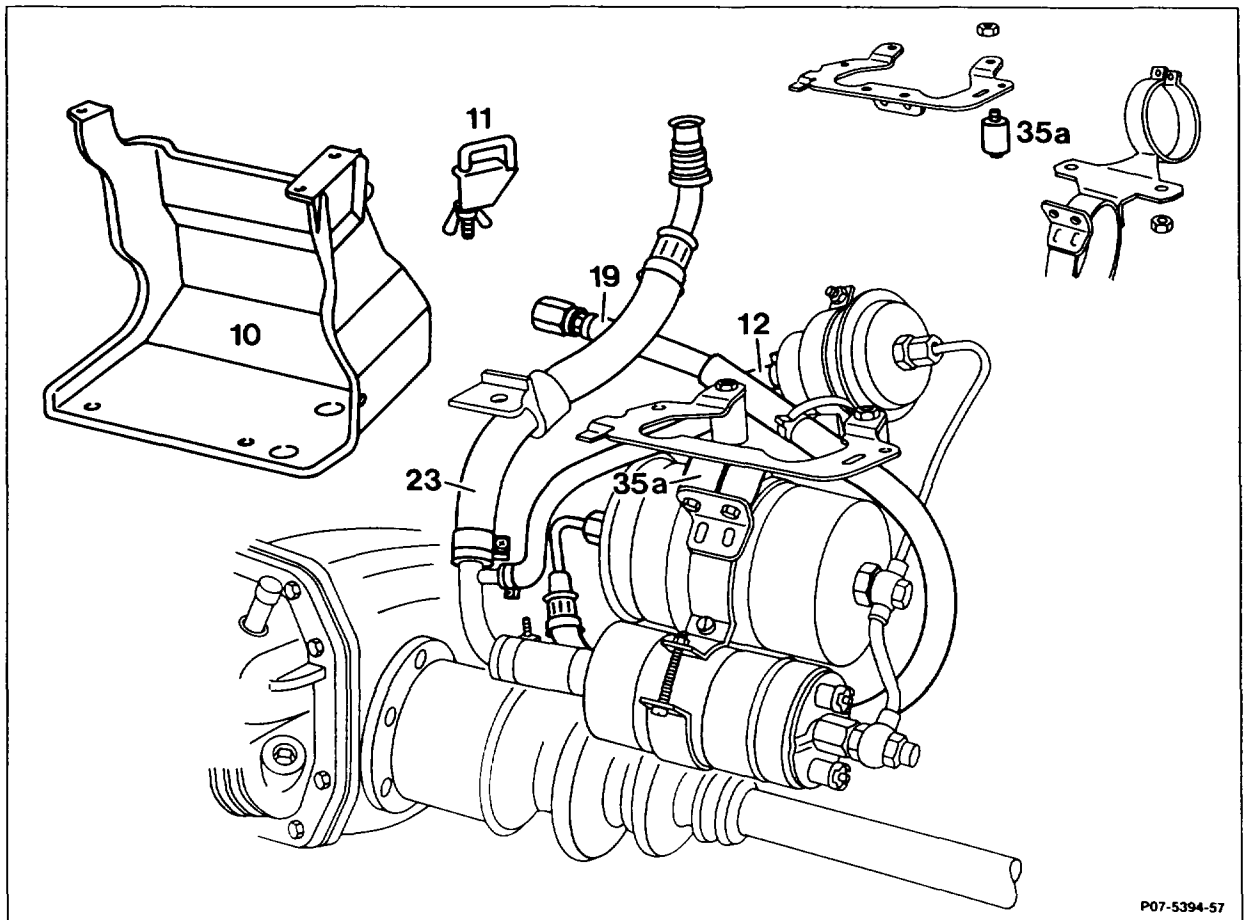


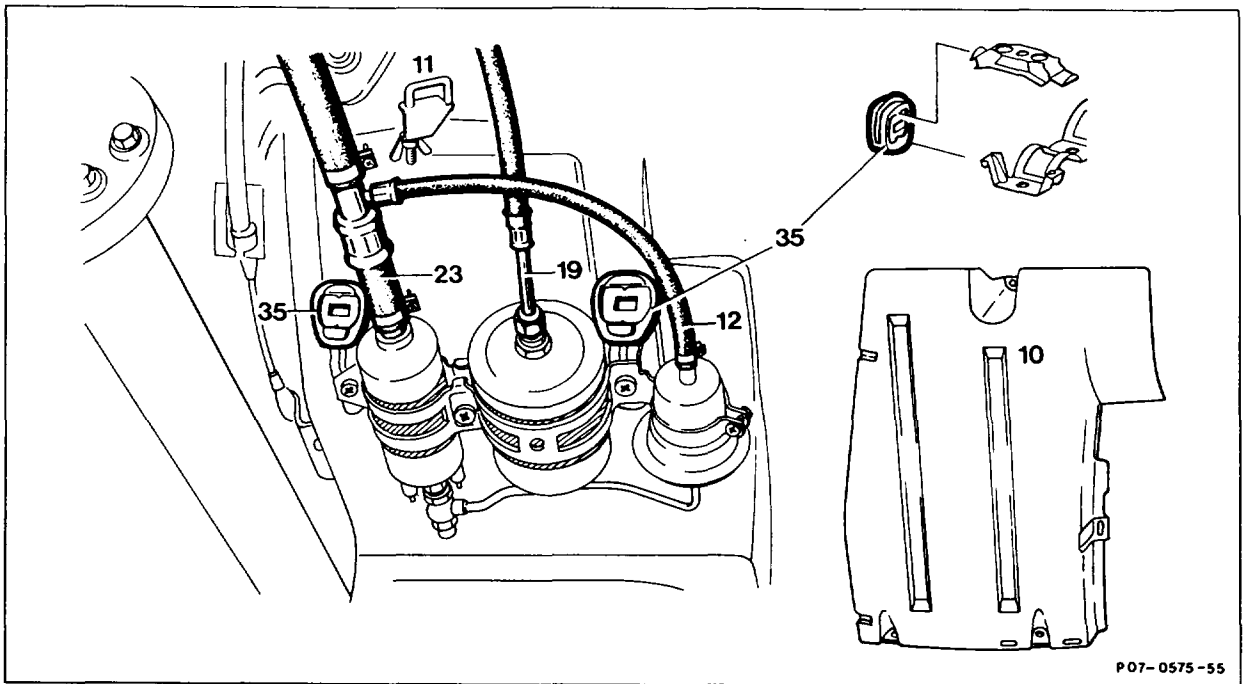
07.3-5770 Removing and installing fuel pump set

Operation no. of operation texts and work units or standard texts
and flat rates:
07-5770.

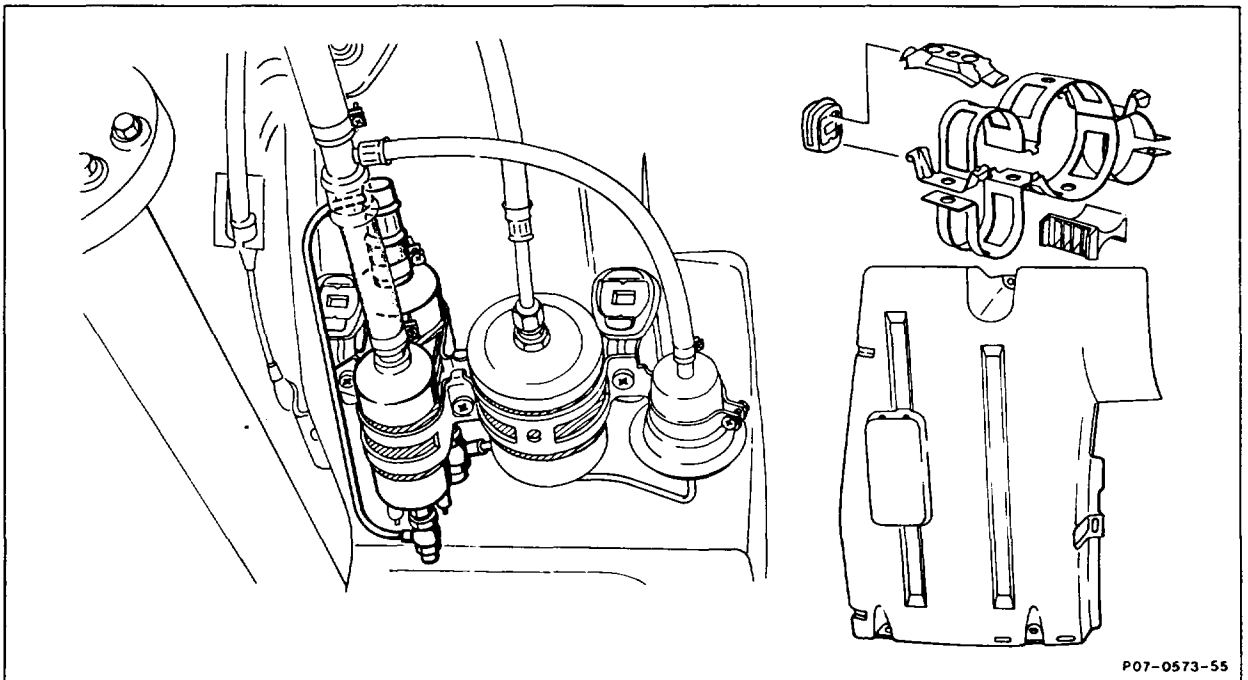
A. Models 107, 124, 126, 201



Models 107, 126: fuel pump set with one fuel pump



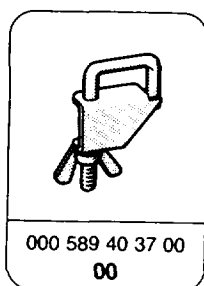
Model 124: fuel pump set with one fuel pump



Models 124, 129: fuel pump set with two fuel pumps

Pressure in fuel tank	release by opening cap, close.
Ground cable at battery	disconnect, connect.
Protective box (10)	unscrew, screw on.
Electric cables	disconnect, connect.
Fuel suction hose and fuel pressure hose (19, 23)	pinch off with clamp (11). Special tool 000 589 40 37 00.
Fuel suction hose, fuel pressure hose and leak hose (19, 23, 12)	unscrew, screw on. For model 124.090 pay attention to note (07.3-5710).
Rubber rings (35) or rubber stop (35a)	remove, install, pay attention to plastic clip for electric cable (risk of fracturing).

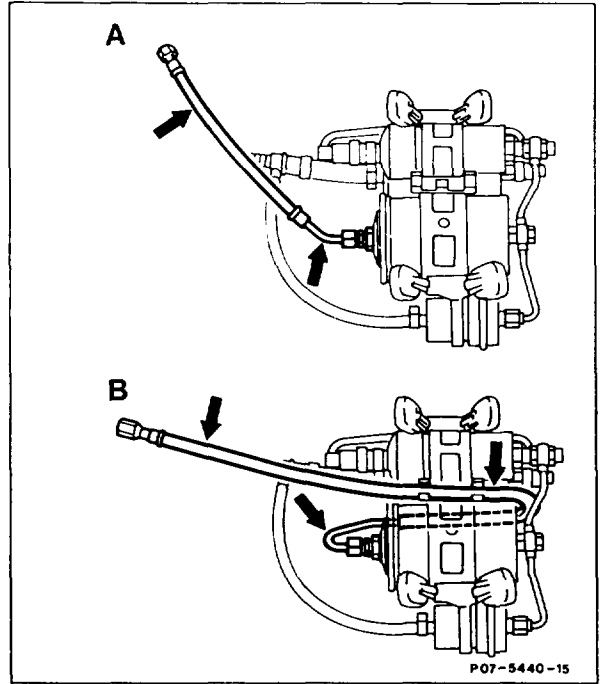
Special tool



Note

Model 124

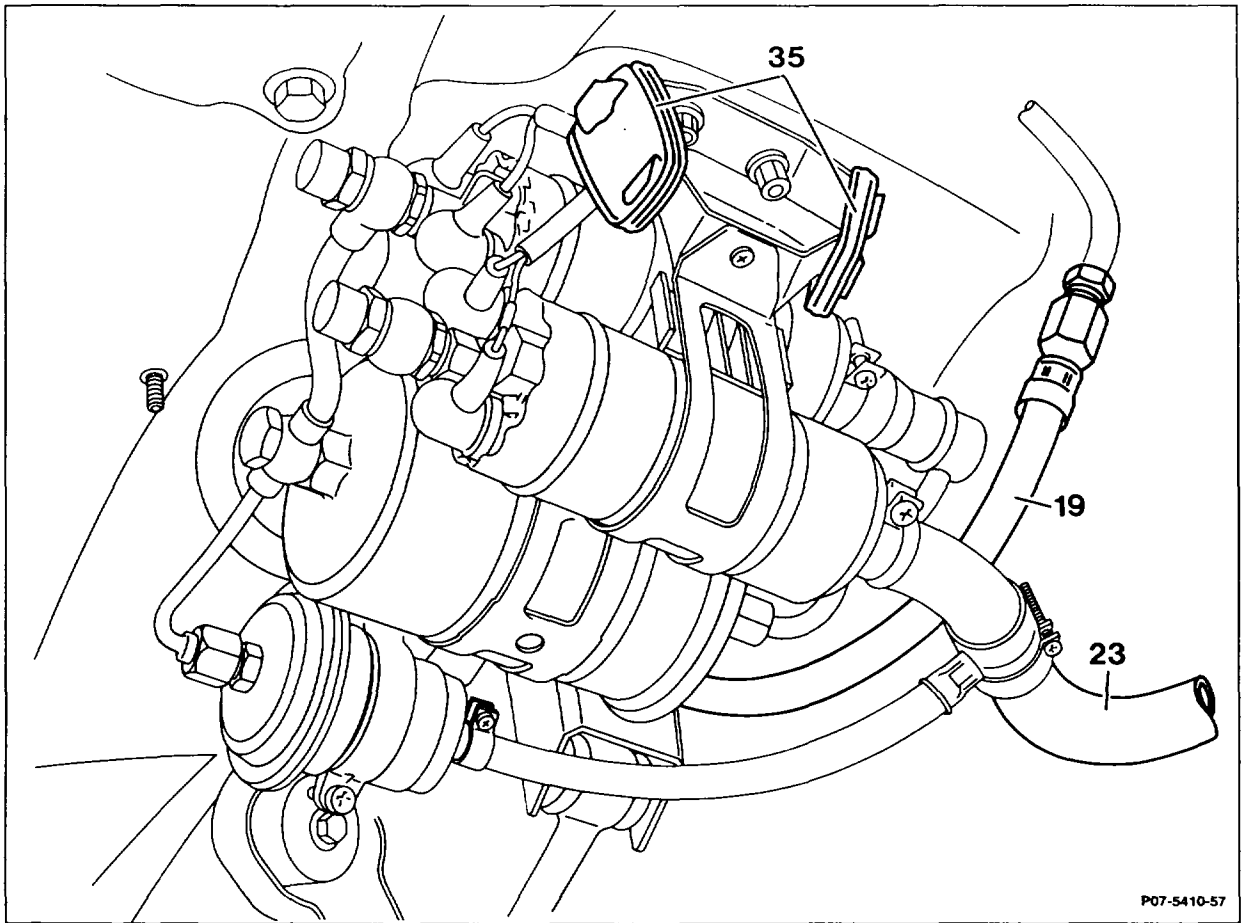
Improvement in noise insulation by modified routing and longer pressure hose with holder (arrows, Fig B, only double pump version shown) from fuel filter to fuel delivery line.



Production breakpoint: October 1988

Model	Engine	Vehicle ident end no. A
124.026	103.940	872851
124.030/050	103.983	872851
124.226	103.943	872851
124.230	103.985	872851

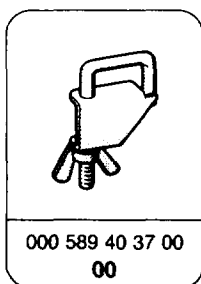
B. Model 129



P07-5410-57

Rear bench seat	(if fitted) remove, install. Open flap behind front passenger seat, close. Remove the plastic cover located below, install.
Electrical coupling (see note)	for fuel pump set, separate, connect.
Cover for fuel pump set	unscrew, screw on.
Fuel suction hose and fuel pressure hose (19, 23)	pinch off with clamp 000 589 40 37 00, disconnect and connect.
Rubber rings (35)	detach, attach.
Leaktightness of all connection points	check with engine running.

Special tool



L

Note

Location of electric coupling (arrow) for fuel pumps.

