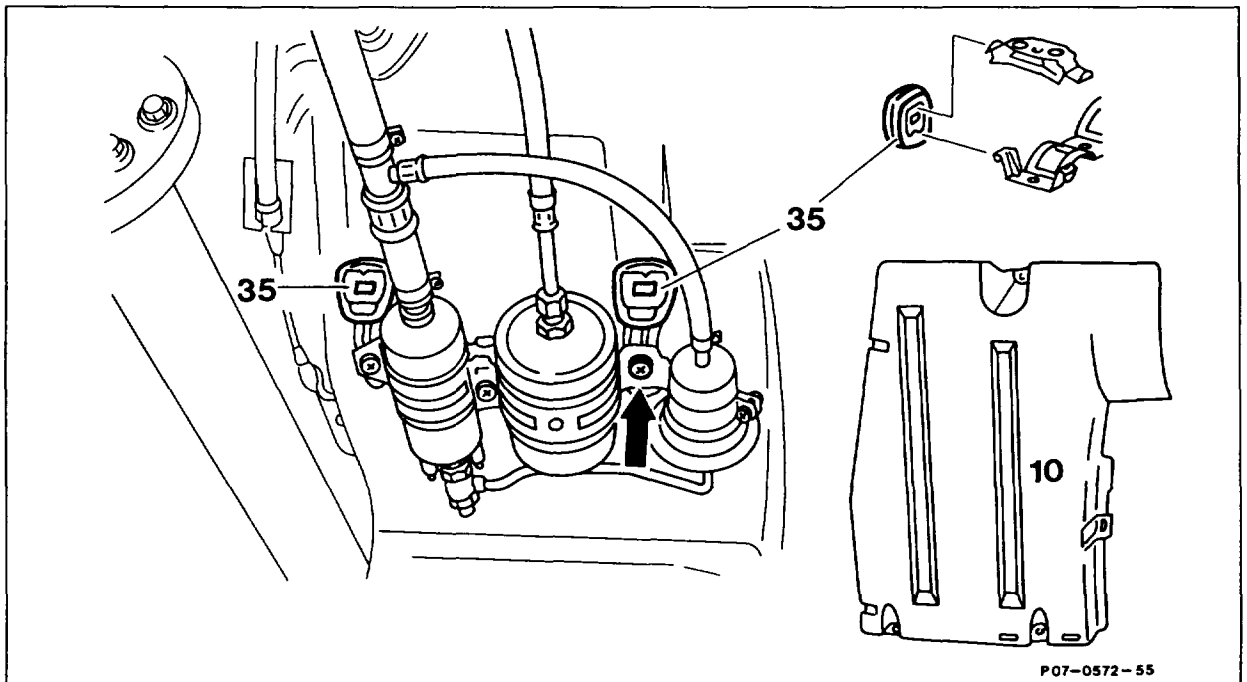


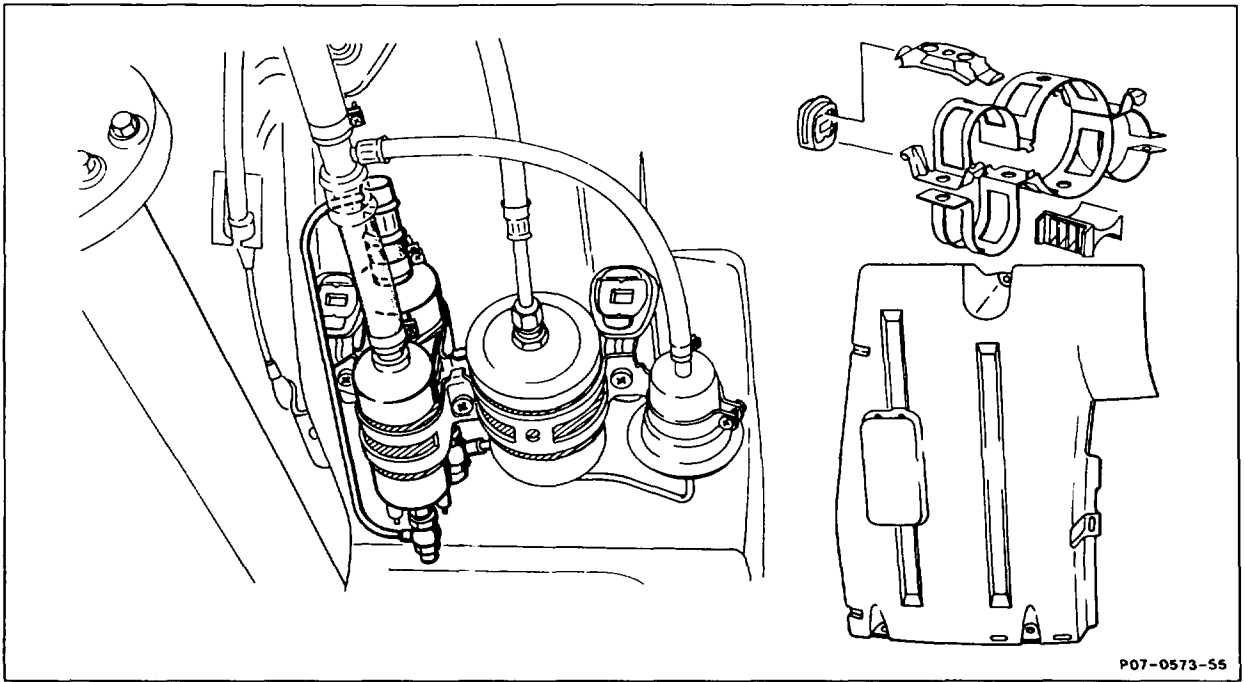
07.3-5860 Replacing rubber rings or rubber stop for fuel pump set

Operation no. of operation texts and work units or standard texts
and flat rates:
07-5860, 07-5862.

A. Models 124, 129



Model 124: fuel pump set with one fuel pump

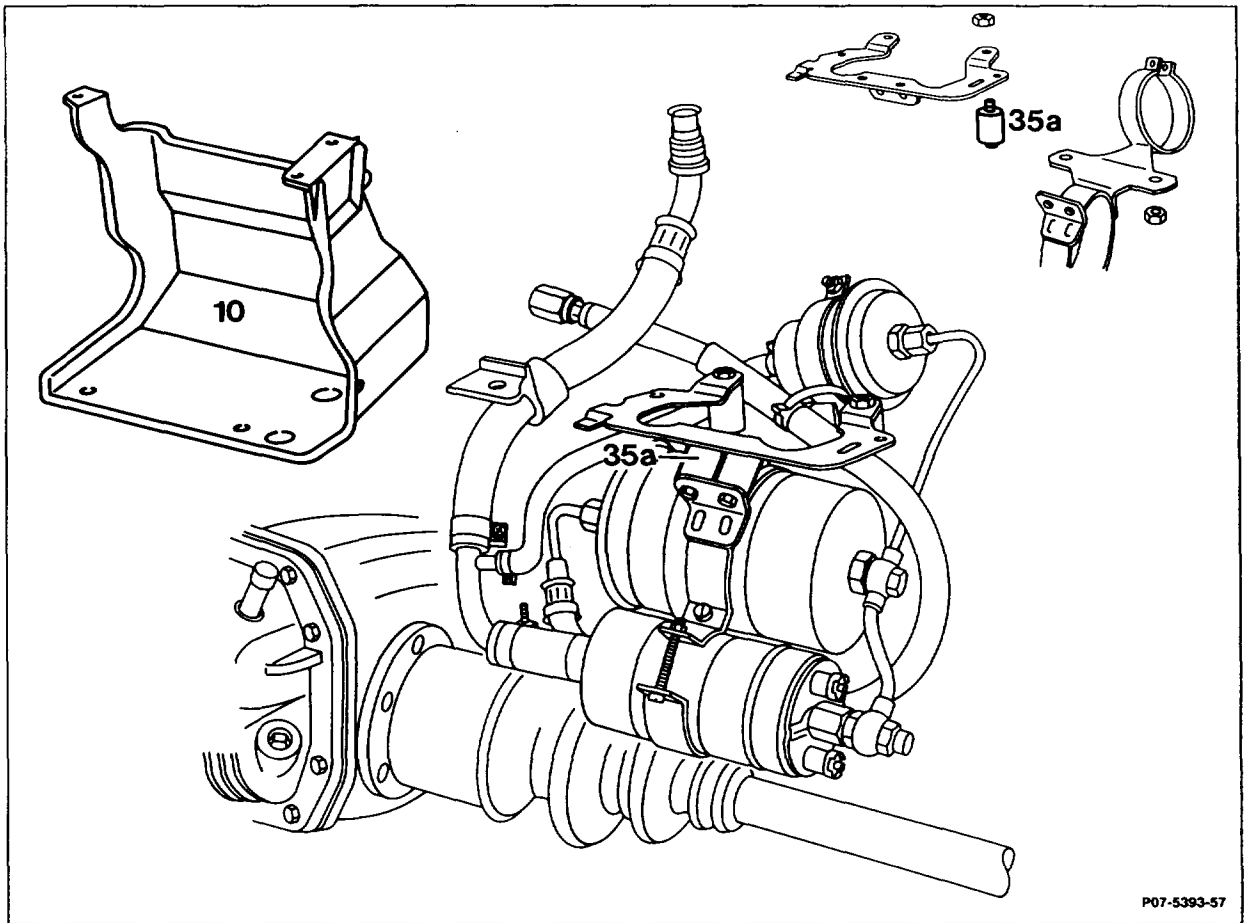


P07-0573-55

Models 124, 129: fuel pump set with two fuel pumps

- | | |
|----------------------------------|-----------------------------------------------------------------------------------------|
| Protective box (10) | unscrew, screw on. |
| Securing screw (arrow) | for fuel accumulator holder, slacken, pull forward slightly. |
| Rubber rings (35) | remove, install, pay attention to plastic clip for electric cable (risk of fracturing). |

B. Models 107, 126



P07-5393-57

Models 107, 126: fuel pump set with one fuel pump

Protective box (10)	unscrew, screw on.
Rubber stop (35a)	remove, install; pay attention to plastic clip for electric cable (risk of fracturing).