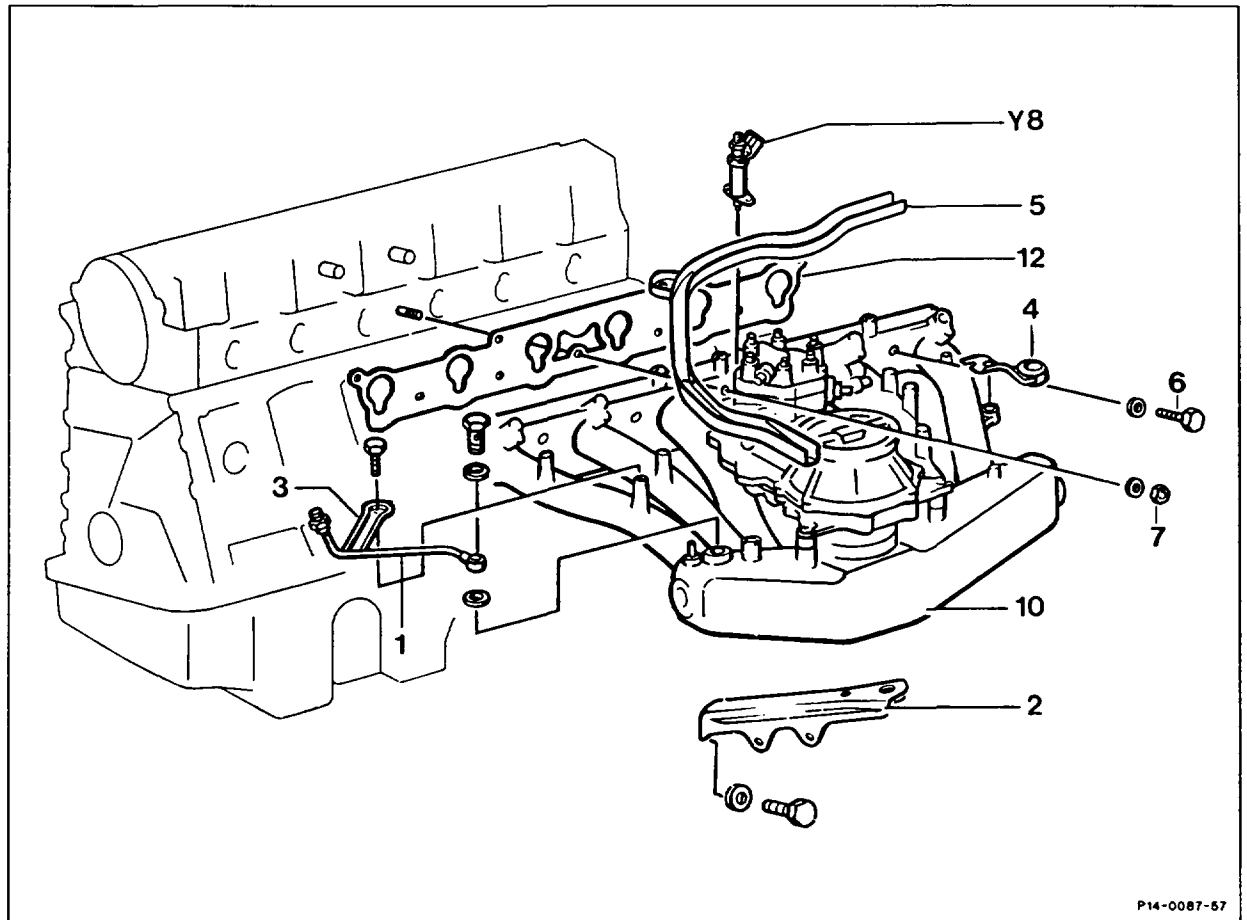


14-1310 Removing and installing intake manifold, replacing gasket

Preceding work:
Removing and installing, replacing air cleaner (09-1051).

Operation no. of operation texts and work units or standard texts
and flat rates:
14-1310.



P14-0087-57

Ground cable at battery	disconnect, connect.
Engine compartment panel	take off, fit on.
Plastic rail (5) for engine wiring harness	remove, install.
Mixture control unit with air guide housing	remove, install (07.3-1668).
Holder for starter cable (4)	detach, fit on.
Vacuum connections at intake manifold and throttle valve body	pull off, fit on.
Vacuum line (1) for brake booster with holder (3)	remove, install.

Start valve (Y8)	remove, install. Detach electrical connection to engine, fit on.
Bowden cable for accelerator control or for automatic transmission	detach, attach.
Supporting bracket (2) for intake manifold	take off, fit on. Take off both supporting brackets at intake manifold, fit on, slacken at crankcase, attach.

Note

On vehicles with Tempomat cruise control, take off bracket with Tempomat cruise control, fit on.

Protective cap at ignition coil	take off, install.
On vehicles with level control	take off suction hose by slackening hose clip, tightening and detaching hose clip from line, fitting on.
Bolts (6) and nuts (7)	unscrew, screw on.
Intake manifold (10)	pull off, fit on.

Installation note

Clean intake manifold and flange faces.
Check flange faces with straightedge, dress on dressing plate if necessar.

Intake manifold gasket (12)	replace.
Accelerator control linkage	adjust (30–1010).
Idle speed	check, adjust (07.3–2053).
Intake system	check for leaks by spraying.

Note**Models 124, 126, 201**

Installation of asbestos-free intake manifold gasket.

Production breakpoint: June 1990

Model	Engine	Engine end no. manual transmission	Engine end no. automatic transmission
124.026	103.940	031533	085272
124.030/050/090	103.983	037742	215417
124.226	103.943	000522	001303
124.230/290	103.985	002519	012084
126.020	103.941	004680	015569
126.024/025	103.981	008217	119512
201.029	103.942	017473	048459

Note**Modified attachment of intake manifold**

Stud bolt with spring washer and nut replaced by
M8 × 45 bolt + washer between cylinders 4 and 5

Production breakpoint: 05/90

Model	Engine	Engine end no. manual transmission	Engine end no. automatic transmission
124.026	103.940	031346	084580
124.030/050/090	103.983	037509	213971
124.226	103.943	000522	001294
124.230/290	103.985	002519	011869
126.020	103.941	004667	015478
126.024/025	103.981	008168	118451
201.029	103.942	017336	047984