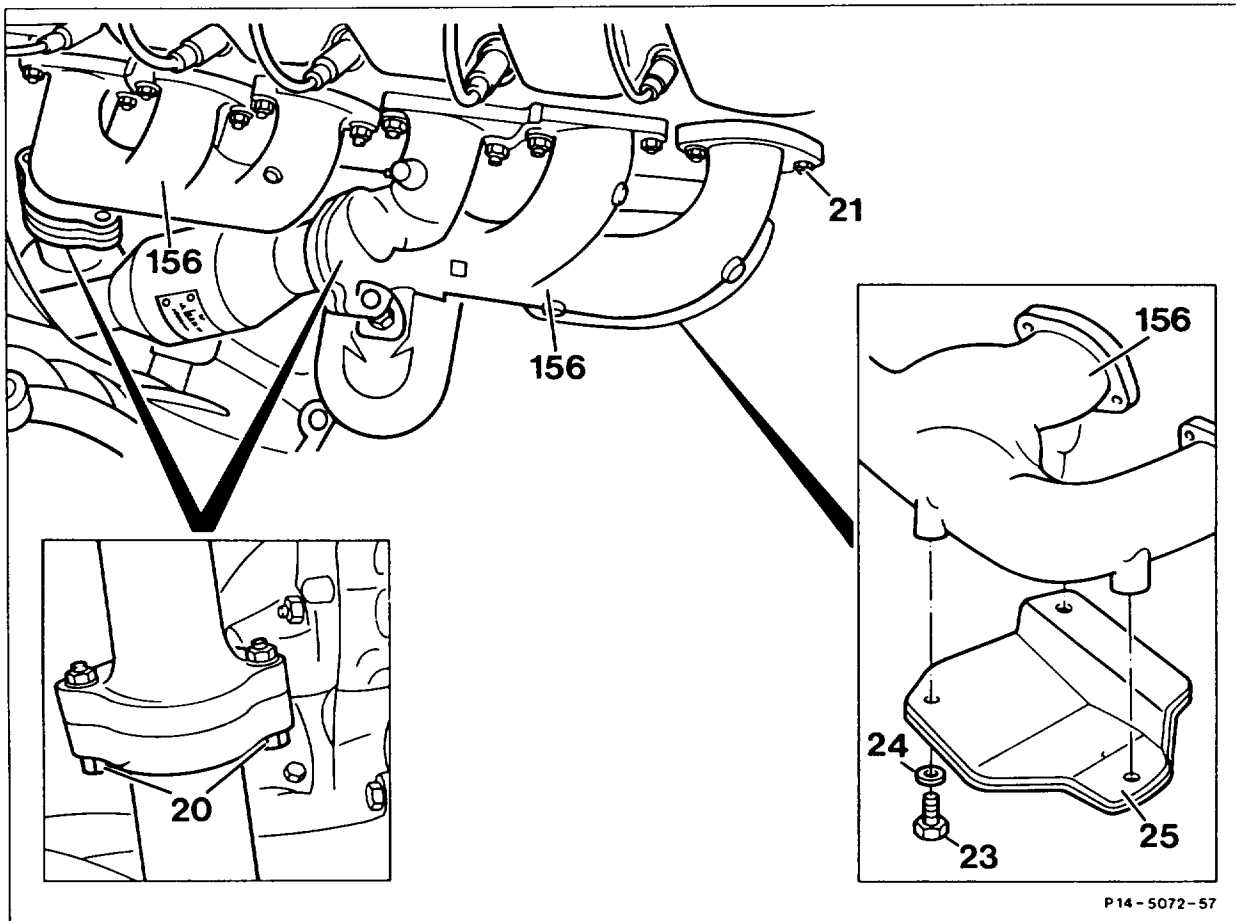


14-3915 Removing and installing exhaust manifold

Operation no. of operation texts and work units or standard texts and flat rates:
14-3915.



P14-5072-57

- | | |
|---|--|
| Carrier for exhaust bracket at transmission | take off, fit on (see 49-8701). |
| Bolts (20) at exhaust manifold | unscrew, screw in. Replace bolts (20).
Tightening torque 25 Nm. |
| Nuts (21) | unscrew, screw on. |
| Exhaust manifold (156) with gaskets | take off, install. Replace gaskets. |



Pay attention to note.

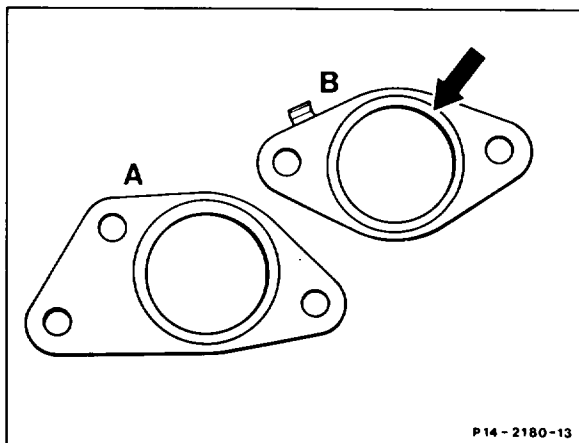
- | | |
|---|---|
| Screws (23), washers (24) and shield (25) | take off, fit onto new exhaust manifold cylinders
1-3 (as of 09/89). |
|---|---|

Notes

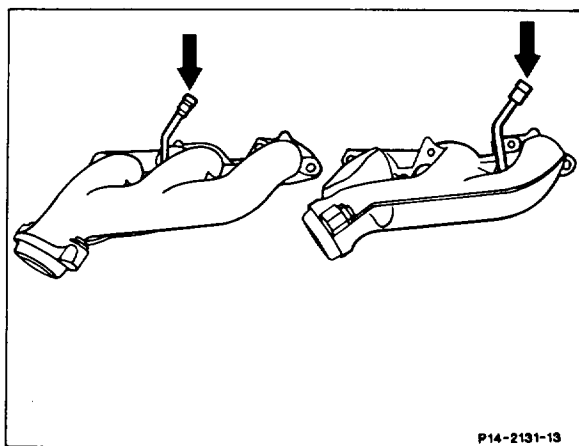
When installing the new gaskets, ensure that the beads (arrow) and the metal tabs are facing the exhaust manifold.

The gasket for cylinder 6 (A) has an additional hole.

- A Gasket cylinder 6
- B Gasket cylinders 1-5



Exhaust manifold with emissions test connection, only for (CH) (as of 09/88).



Arrows Test connection

Models 124, 126, 129, 201

Modified exhaust manifold (additional cooling and stiffening ribs).

National version (CH) with emissions test connection.

Production breakpoint: August 1989

Model	Engine	Engine end no. manual transmission	Engine end no. automatic transmission
124.026	103.940	027149	067740
124.030/050/090	103.983	031859	172890
124.226	103.943	000453	001082
124.230/290	103.985	001148	007994
126.020	103.941	000444	001062
126.024/025	103.981	007168	090679
129.060	103.984	000093	000145
201.029	103.942	014516	013733

Models 124, 126, 129, 201

Modified exhaust manifold (additional cooling and stiffening ribs).

Production breakpoint: October 1989

Model	Engine	Engine end no. manual transmission	Engine end no. automatic transmission
124.026	103.940	028537	073151
124.030/050/090	103.983	033860	187942
124.226	103.943	000480	001139
124.230/290	103.985	002300	008917
126.020	103.941	004379	014437
126.024/025	103.981	007628	100856
129.060	103.984	1)	1)
201.029	103.942	015769	038206

1) Start of production.

Models 124, 201

National version (CH) (DK) (N) (S) (SF)

Modified exhaust manifold.

(CH) with connection fitting for emissions test, emissions control and air injection.

Production breakpoint: June 1990 (CH)

Model	Engine	Engine end no. automatic transmission
124.026	103.940	081081
124.030/050/090	103.983	198330
124.226	103.943	001285
124.230/290	103.985	011765
201.029	103.942	043383

Ⓚ Ⓝ Ⓢ Ⓞ without connection fitting for emissions test, emissions control and air injection.

Production breakpoint: June 1990 Ⓚ Ⓝ Ⓢ Ⓞ

Model	Engine	Engine end no. automatic transmission
124.026	103.940	081081
124.226	103.943	001285
201.029	103.942	043383

Models 124, 126, 129, 201

Installation of asbestos-free gaskets

Production breakpoint: July 1990 (cylinders 1-5)

Model	Engine	Engine end no. manual transmission	Engine end no. automatic transmission
124.026	103.940	031878	086413
124.030/050/090	103.983	038217	217714
124.226	103.943	000522	001318
124.230/290	103.985	002519	012464
126.020	103.941	004714	015697
126.024/025	103.981	008338	121519
129.060	103.984	000324	001386
201.029	103.942	017641	049523

Production breakpoint: August 1990 (cylinder 6)

Model	Engine	Engine end no. manual transmission	Engine end no. automatic transmission
124.026	103.940	032313	087951
124.030/050/090	103.983	038853	221128
124.226	103.943	-	001331
124.230/290	103.985	-	013180
126.020	103.941	004741	015792
126.024/025	103.981	008430	123880
129.060	103.984	000386	001618
201.029	103.942	017889	050775

Models 124, 126, 129, 201

Collar nut for attaching exhaust manifold in place of nut with washer.

Production breakpoint: November 1990

Model	Engine	Engine end no. manual transmission	Engine end no. automatic transmission
124.026	103.940	033527	093040
124.030/050/090	103.983	040556	232991
124.226	103.943	-	001377
124.230/290	103.985	-	015058
126.020	103.941	004857	016164
126.024/025	103.981	008659	130710
129.060	103.984	000503	002176
201.029	103.942	018647	054679