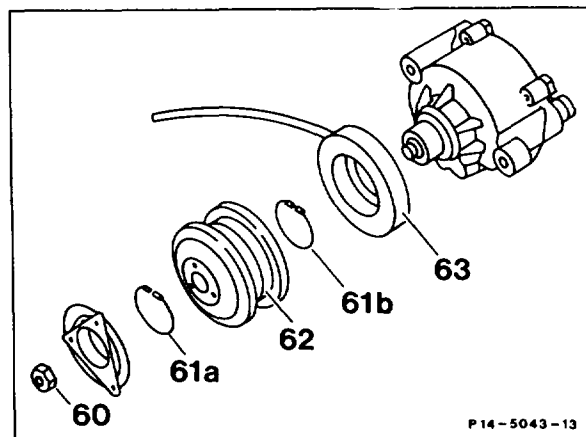
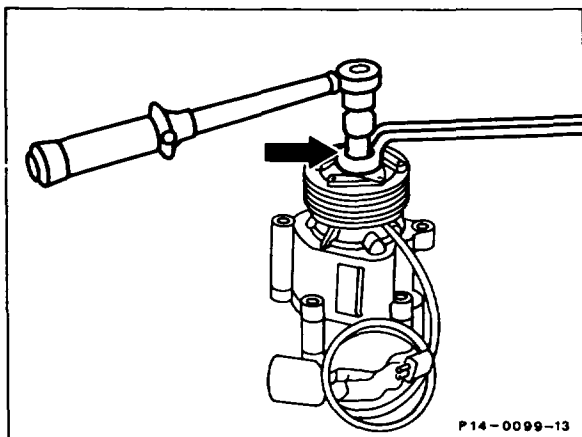


14-7252 Removing and installing electromagnetic clutch

Preceding work:
Removing and installing air pump (14-7251).

Operation no. of operation texts and work units or standard texts
and flat rates:
14-7252.



Nut (60)	unscrew, screw on. Counter-hold with hexagon socket (arrow). Tightening torque 35 ± 5 Nm.
Circlip (61a)	remove, install.
Drive gear (62)	pull off, fit on.
Circlip (61b)	remove, install.
Solenoid (63)	take off, fit on (see note).

Note

Solenoid (63) must engage in locking pin (arrow).

