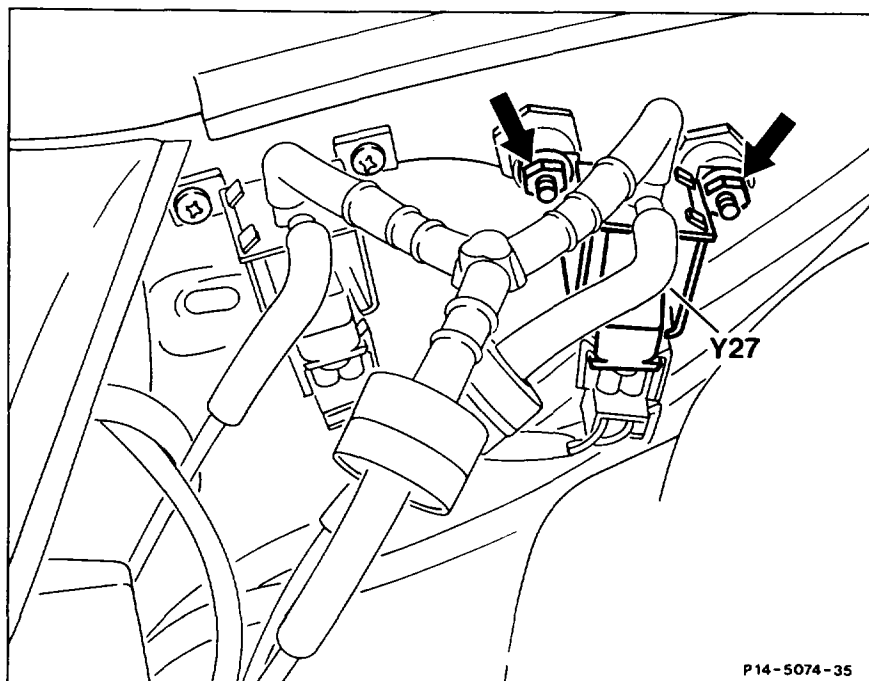




14-7692 Removing and installing exhaust gas recirculation switchover valve (only)

Operation no. of operation texts and work units or standard texts
and flat rates:
14-7692.



Model 124  

| | | |
|------------------------|-------|---|
| Electrical coupling | | at exhaust gas recirculation switchover valve (Y27), unplug, plug in. |
| Vacuum hose (tr/vi/br) | | pull off, fit on. |

Installation note

| | | |
|--|-------|----------------------------|
| Vacuum hose for non-return valve | | pull off, fit on. |
| Nuts (arrows) | | turn down, turn up. |
| Exhaust gas recirculation switchover valve (Y27) | | detach at carrier, attach. |

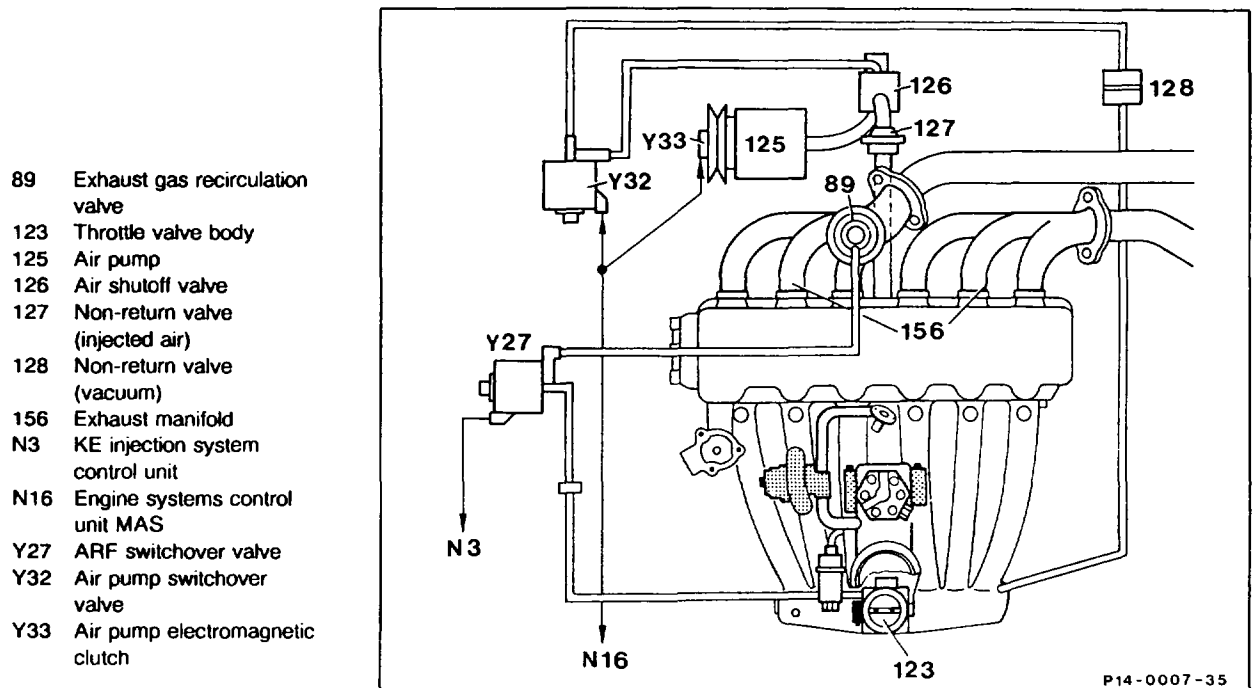
KE control unit fault memory read, erase if necessary (see Diagnosis Manual Engine, Volume 2, Register 0).

Note

Stored faults which may be caused by disconnected cables or simulation during test work, must be erased in the fault memory after completing all work.

Function diagram air injection and exhaust gas recirculation

Models 124, 126, 201 national version (J) (USA)



Note

On model 129 the exhaust gas recirculation valve (89) is controlled by a 70/35 °C thermovalve.