

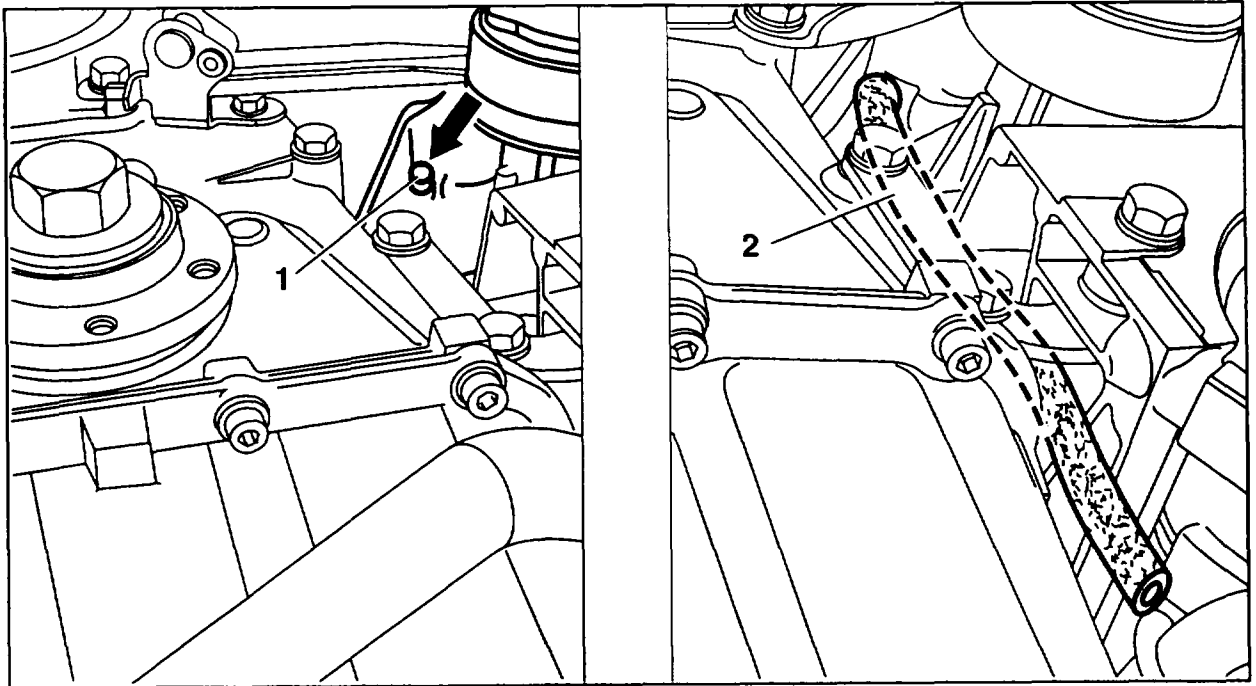
20-2255 Retrofitting coolant pump drain pipe

Preceding work:

Viscous fan coupling removed (20-3120).

Poly-V-belt removed (13-3420).

Belt pulley/vibration damper removed (03-3420).



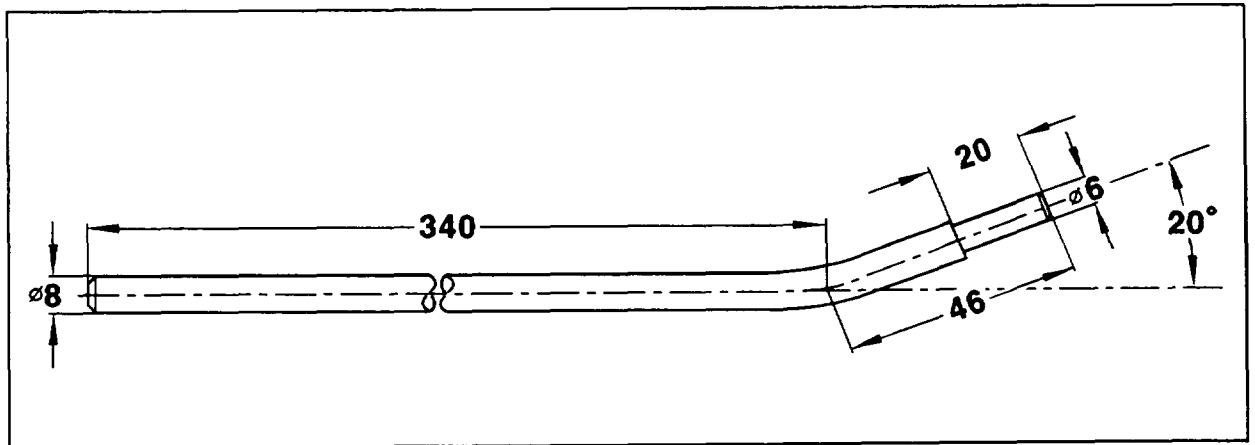
P20-5404-55

Belt pulleys at coolant pump and at fan bearing bracket	remove, install (13-3450)
Shock absorber of tensioning device	remove, install (13-3450)
1st version (coolant pump with \varnothing 7.5 mm hole)	
Connection fitting (1)	coat with adhesive
Connection fitting (1)	knock in with drift (shop-made tool)
Drainage pipe (2)	fit on to connection fitting (1) and run between crankcase and power steering pump mounting bracket
2nd version (coolant pump 103 200 37 01 with \varnothing 9.9 mm hole)	
Drainage pipe (2)	coat with adhesive Loctite 648, 003 989 32 71
Drainage pipe (2)	insert into \varnothing 9.9 mm hole and run between crankcase and power steering pump mounting bracket

Shop-made tool

Insertion drift

Material structural steel, eg. St.37-k



P20-5367-53

Replacement parts

Designation	Part number
Repair kit Ø 7.5 mm hole	103 200 20 52
Repair kit Ø 9.9 mm hole	104 203 08 02