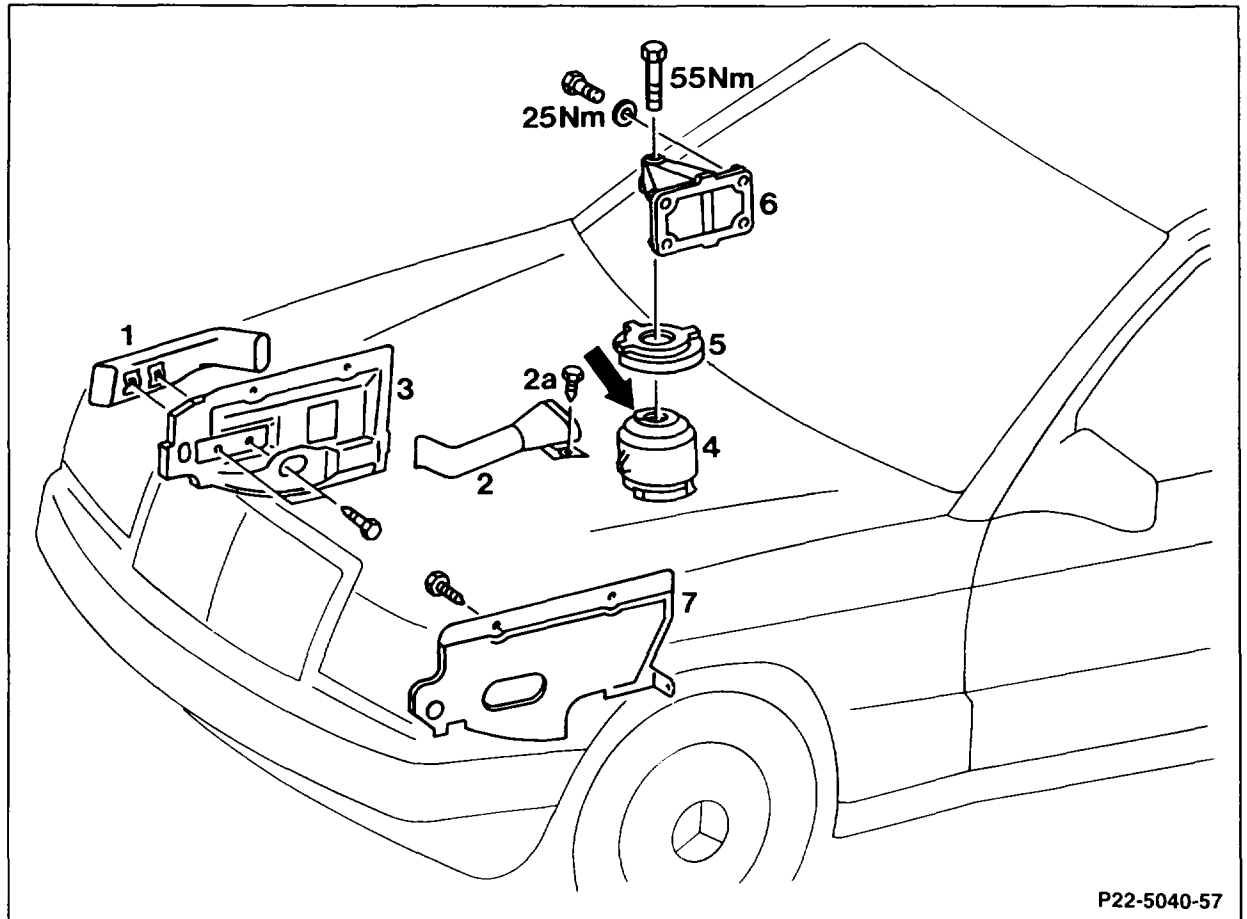


22-2140 Engine bearing cooling, model 201 (retrofitting)

Preceding work:
Bottom engine compartment panel removed
(Maintenance Manual 6190).

Model 201
not with underbody protection
not with auxiliary heater



Fan shroud ring	remove, place over fan, install (20-3400).
Intake air cowl	remove, install (09-0060).
Torsion bar of side member	slacken, fold down, install.
Both engine mounts at bottom	unscrew, screw on (25 Nm).
Engine	raise, lower.
Right engine carrier (6) and shield (5)	remove, replace, install.
Right engine compartment encapsulation (3) with cooling pipe (1)	fit parts, install.

Right cross member for bolt (2a)	mark and drill 3.5 mm dia.
Cooling pipes (1) and (2)	fit together.
Cooling pipe (2)	attach to right cross member with bolt (2a).
If air conditioner fitted: bracket of left air conditioner line	unscrew, screw on.
Left engine compartment encapsulation (7)	install.
Note USA model: engine compartment encapsulations (3) and (7)	are fitted as standard.