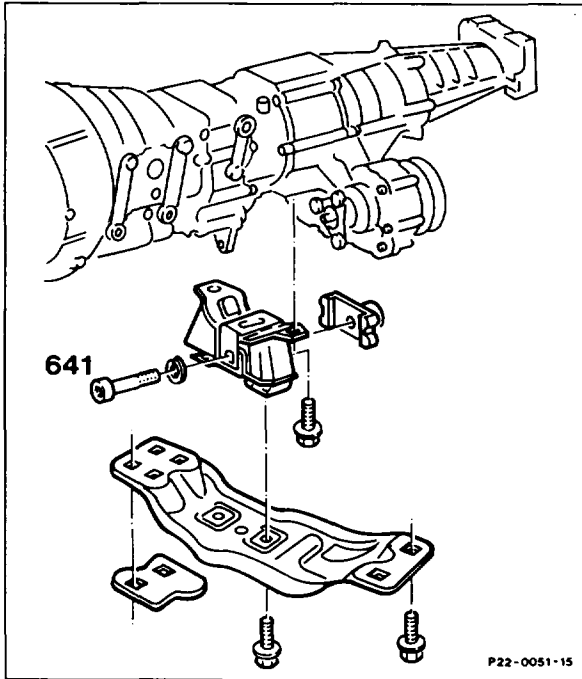


22-2200 Setting engine stop, model 124 4MATIC



- | | |
|-------------------|--|
| Screw (641) | slacken. |
| Engine | start, depress accelerator pedal sharply several times to allow engine stop to adjust. |
| Screw (641) | tighten, 45 Nm. |