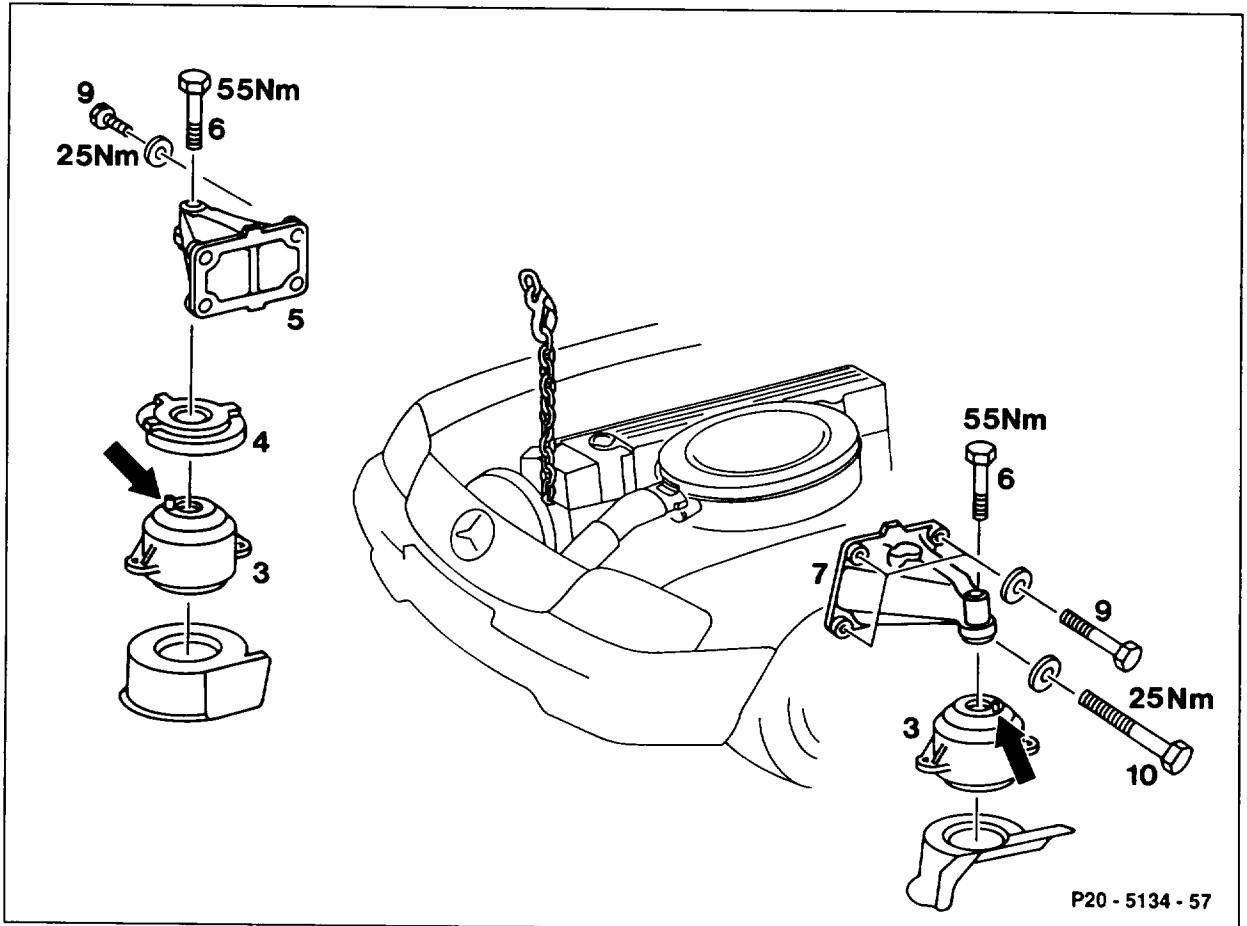


22-2500 Removing and installing engine carrier

Preceding work:
Bottom engine compartment panels removed
(Maintenance Manual 6190).

Models 124, 129, 201



Model 129

- 9 M8 × 30 bolt + washer
- 10 M8 × 95 bolt + washer

Fan shroud or if split fan shroud version, fan shroud ring	remove, place over fan, install (20-3400).
Intake air cowl	remove, install (09-0060).
Top engine bearing bolts (6)	unscrew, screw on (55 Nm).
Engine at front lifting lug	raise.
Right engine carrier: shield (4)	take off, install.
Bolts (9 and 10)	unscrew, screw on (25 Nm).
Engine carriers (5 and 7)	remove, install.

Installation notes

- If air injection fitted: holder of air injection line at right engine carrier screw on.
- If exhaust gas recirculation fitted: holder of line screw on.
- If electronic accelerator pedal fitted: holder of actuator at left engine carrier screw on.
- The anti-twist lock (arrow) in engine mount (3) must engage in the opening in the shield (4) and in the retaining groove in the engine carrier.

Tightening torques in Nm

Engine carrier bolt to crankcase	25
Engine carrier bolt to engine mount	55

Special tool

