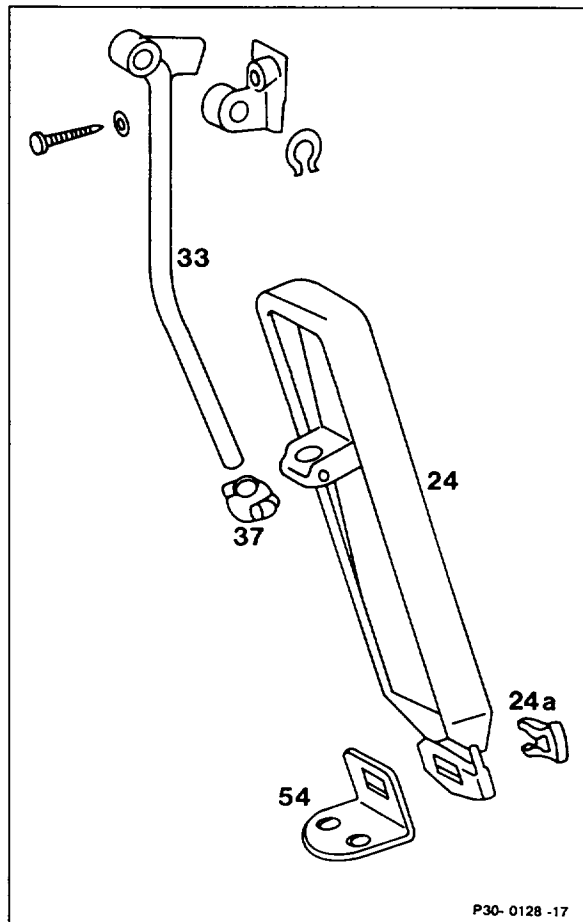


30-1321 Removing and installing accelerator pedal

Operation no. of operation texts and work units or standard texts
and flat rates:
30-1321.

A. Model 107



Lugs of expanding clip (24a) compress behind accelerator pedal (24), remove
expanding clip (24a), engage.

Installation note

Ensure that the expanding clip engages
properly.

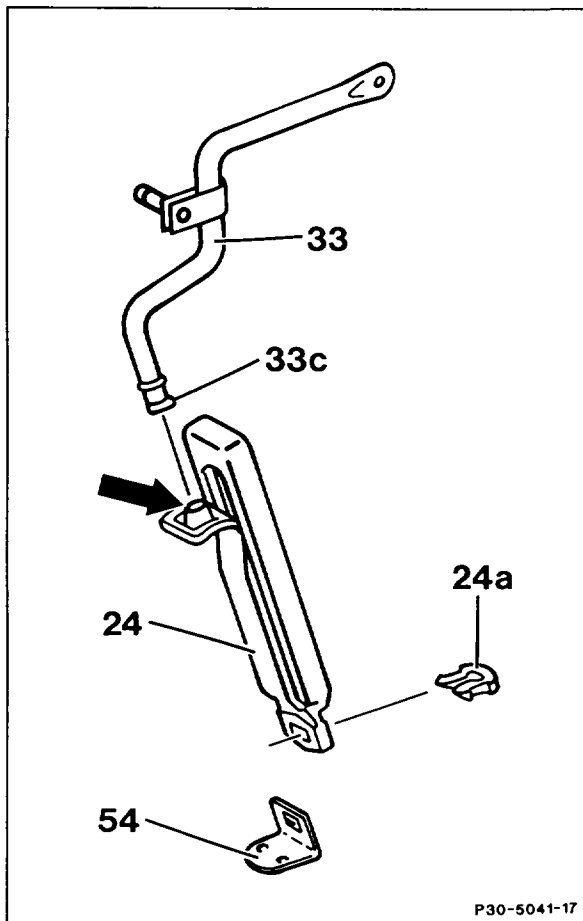
Accelerator pedal (24) pull off the attachment plate (54), fit on.
Pivot piece (37) pull off accelerator pedal lever (33), fit on.

Accelerator pedal (24) pull off accelerator pedal lever (33), fit on.

Note

The bearing points should be coated with anti-corrosion grease 000 989 87 51 10.

B. Models 124, 126, 201



Lugs of expanding clip (24a) compress behind accelerator pedal (24).
Remove expanding clip (24a), engage.

Installation note

Ensure that the expanding clip engages correctly.

Accelerator pedal (24) pull off the attachment plate (54), fit on and turn 120° to the left.

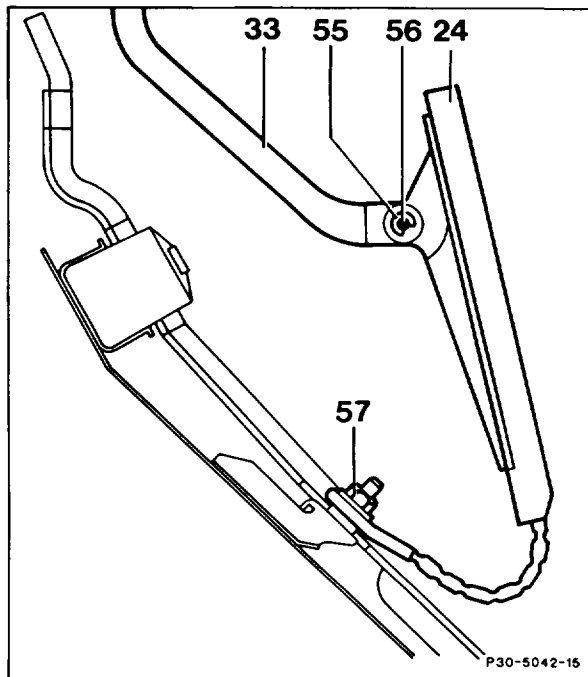
Accelerator pedal (24)

pull off accelerator pedal lever (33) down, fit on.
When this is done, the lug (33c) on the
accelerator pedal lever must be aligned with the
groove (arrow) in the accelerator pedal.

Note

The bearing points should be coated with anti-
corrosion grease 000 989 87 51 10.
The connection from accelerator pedal to
accelerator pedal is maintenance-free and does
not require to be lubricated.

C. Model 129



Cover below instrument panel

remove, install.

Circlip (55)

pull off, fit on.

Pin (56)

press out, insert.

Nut (57) unscrew, screw on (reference value 0.5 Nm),
take off accelerator pedal, fit on.

Note

The bearing points and also the ball sockets
should be coated with anti-corrosion grease
000 989 87 51 10.