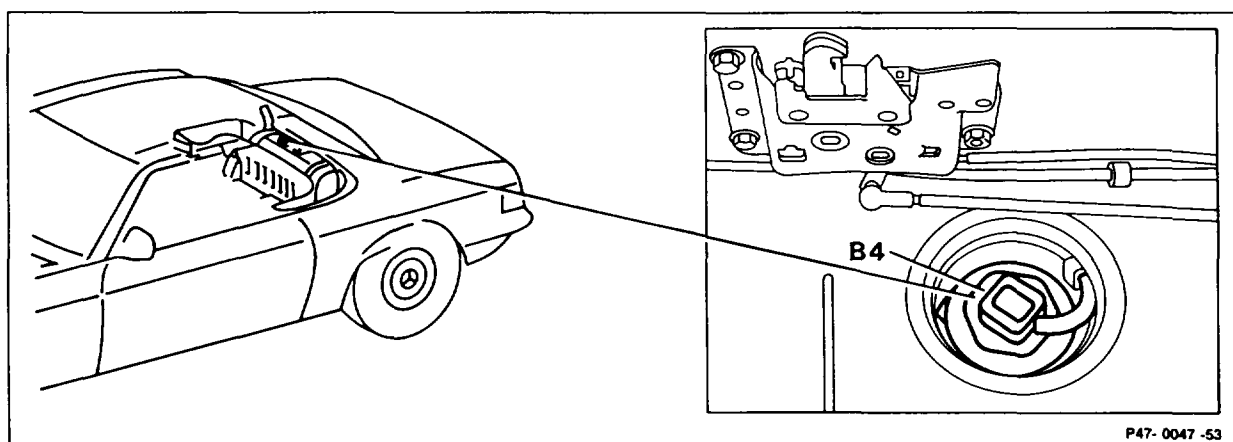


## 47-7000 Removing and installing fuel gauge sender

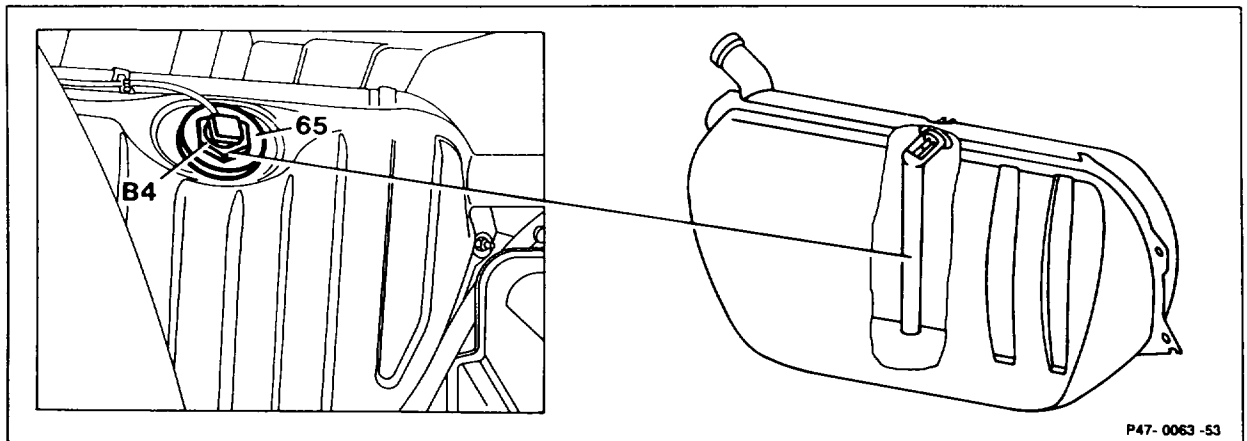
Operation no. of operation texts and work units or standard texts and flat rates:  
47-7000.

### A. Model 107



|  |  |
|--|--|
| Battery ground cable .....               | disconnect, connect.   |
| Hardtop .....                            | take off, fit on.  |
| Soft top .....                           | open, close.   |
| Cover .....                              | unclip, clip in place.   |
| Coupling at fuel gauge sender (B4) ..... | unplug, secure against slipping off, plug in.  |
| Fuel gauge sender (B4) .....             | remove, run empty if necessary, install.<br>Replace seal.<br>Remove securing pin below adhesive strip (of new part).<br>Tightening torque 40 Nm. |

**B. Model 124 Sedan, 201**



P47-0063 -53

Battery ground cable .....  
 Fuel tank trim .....

disconnect, connect.  
 remove, install.

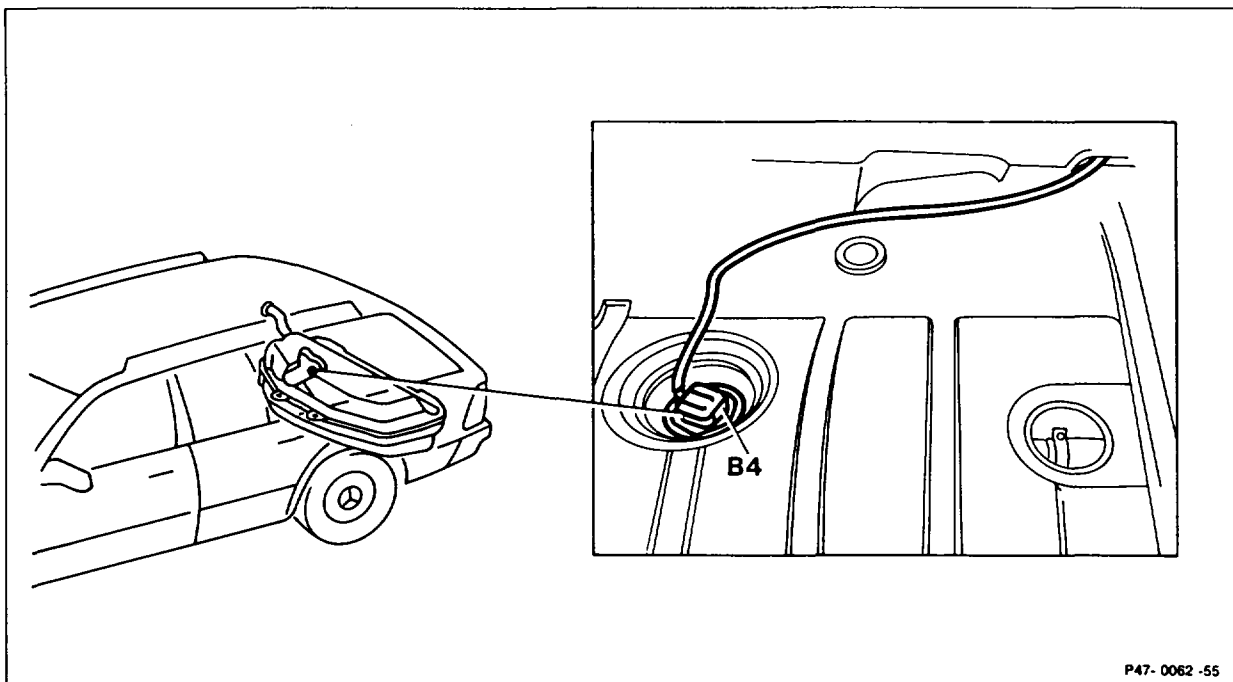
Coupling at fuel gauge sender (B4) .....  
 Sealing flange (65) .....

**Model 201**  
 Remove fuel tank trim only partially.  
 unplug, plug in. Secure against slipping off.  
 unscrew, screw on.

Fuel gauge sender (B4) .....

**Note**  
 If fuel tank full, pump out approx. 8 liters beforehand.  
 In the case of sheet steel fuel tank, replace both seals at sealing flange (65).  
 remove, run empty if necessary, install.  
 Remove securing pin below adhesive strip (only new part).  
 On model 201, plastic fuel tank, replace seal between sender (B4) and fuel tank.  
 Tightening torque 40 Nm.

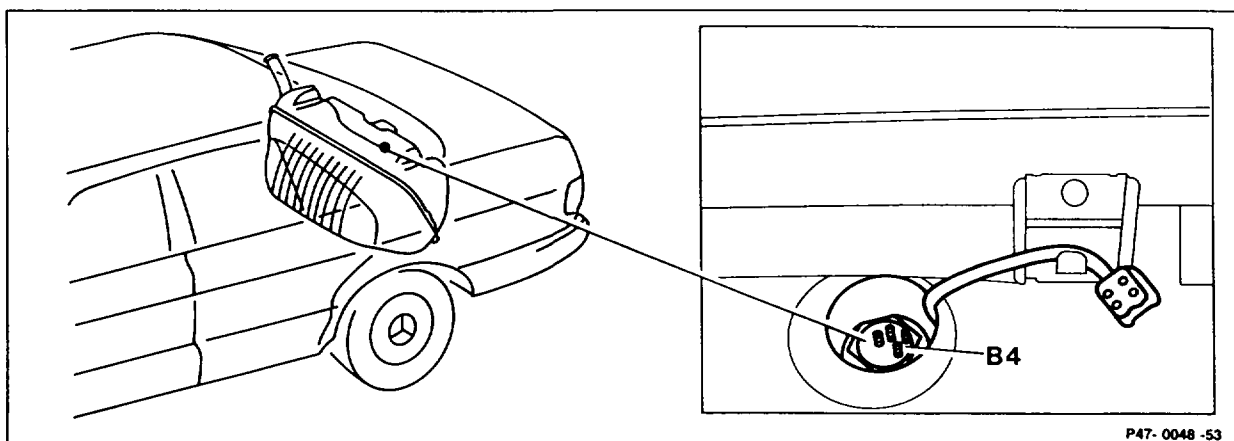
**C. Model 124 Station Wagon**



P47-0062-55

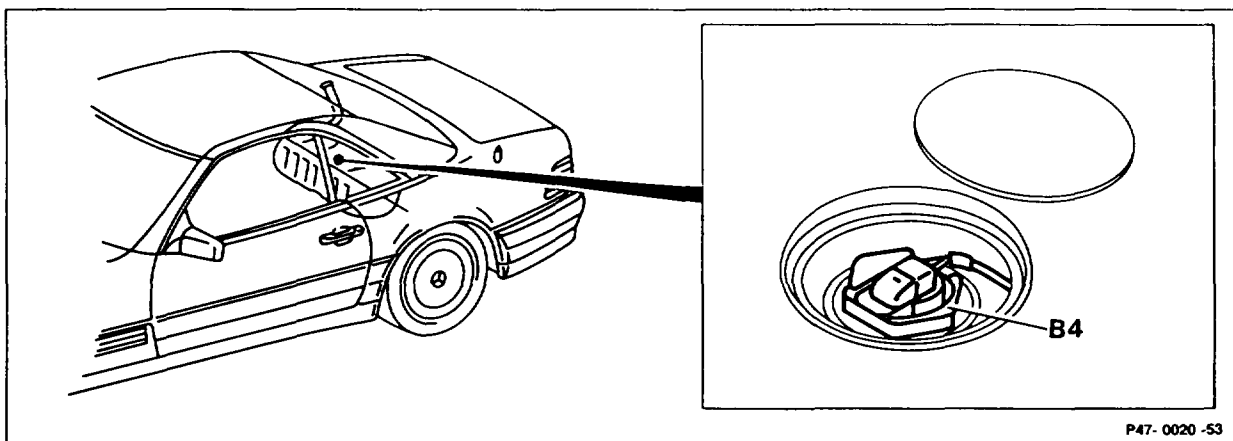
|  |  |
|--|--|
| Battery ground cable .....                             | disconnect, connect.   |
| Front load area flap or 3rd bench seat back rest ..... | remove, install.   |
| Load area trim .....                                   | partially remove, install.   |
| Cover .....  | unclip, clip in place.   |
| Coupling at fuel gauge sender (B4) .....               | unplug, plug in.   |
| Fuel gauge sender (B4) .....                           | remove, run empty if necessary, install.<br>Replace seal.<br>Remove securing pin below adhesive strip (only new part).<br>Tightening torque 40 Nm. |

**D. Model 126**



|  |  |
|--|--|
| Battery ground cable .....               | disconnect, connect.   |
| Back rest of rear bench seat .....       | remove, install (91-170).  |
| Cover .....                              | unclip, clip in place.   |
| Coupling at fuel gauge sender (B4) ..... | unplug, secure against slipping off, plug in.  |
| Fuel gauge sender (B4) .....             | remove, run empty if necessary, install.<br>Replace seal.<br>Remove securing pin below adhesive strip (only new part).<br>Tightening torque 40 Nm. |

**E. Model 129**



P47-0020-53

|  |   |
|--|---|
| Battery ground cable .....               | disconnect, connect.<br>To do this, remove right side trim in trunk,<br>install.  |
| Hardtop .....                            | take off, fit on.   |
| Soft top .....                           | open, close.  |
| Cover .....                              | unclip, clip in place.  |
| Coupling at fuel gauge sender (B4) ..... | unplug, secure against slipping off, plug in.   |
| Fuel gauge sender (B4) .....             | remove, run empty if necessary, install.<br>Replace seal.<br>Remove securing pin below adhesive strip (only<br>new part).<br>Tightening torque 40 Nm. |