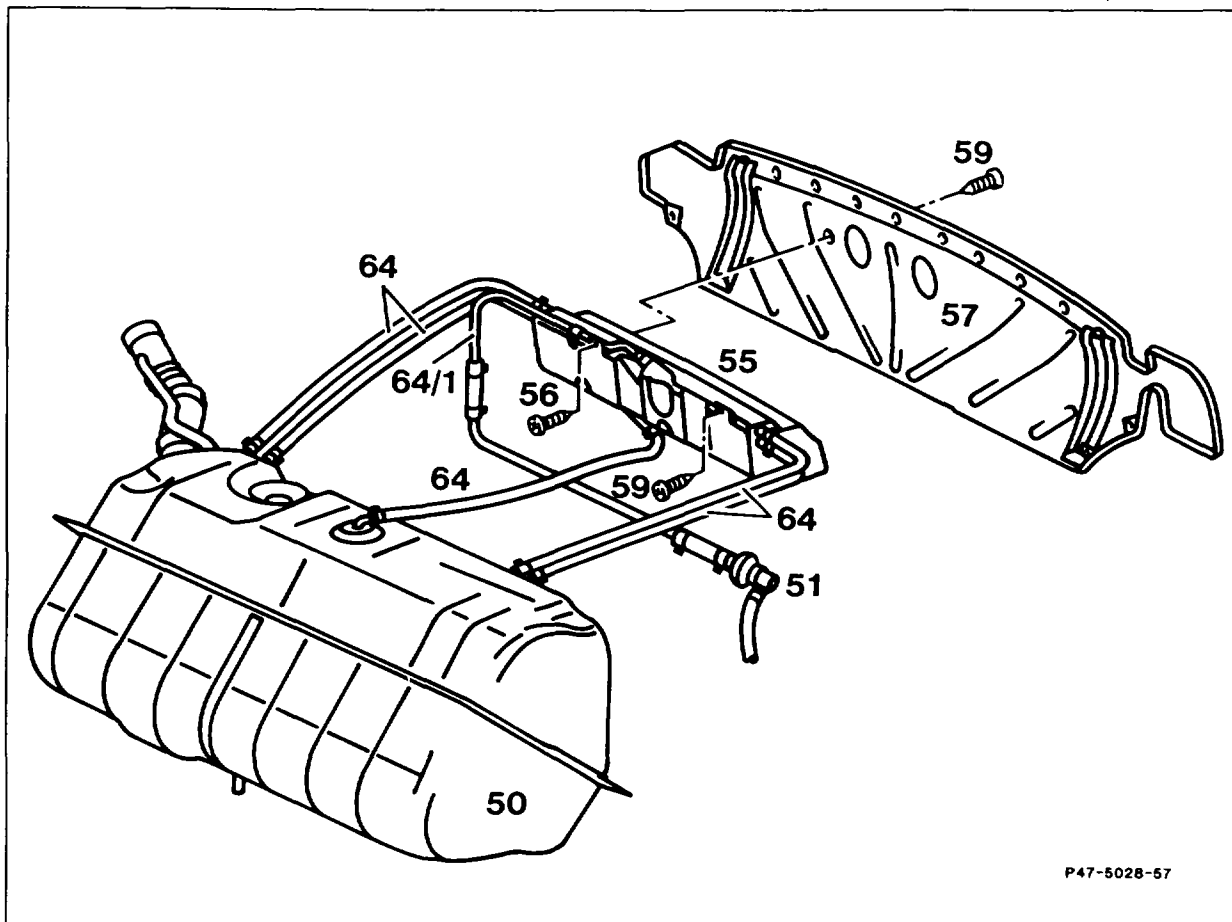


47-8021 Removing and installing fuel expansion tank, model 107

Operation no. of operation texts and work units or standard texts and flat rates:
47-8021.



P47-5028-57

Hardtop	take off, fit on.
Soft top	open, close.
Screws (59)	unscrew, screw in (trunk side).
Partition (57)	remove, install.

Note

Slacken trim in edge area, glue tight (MB universal adhesive 000 989 82 71).

Battering cladding and battery (in trunk)	remove, install.
Wiring (64), vent lines (64/1)	at fuel tank (50), fuel expansion tank (55) and below rear floor, take off, fit on.

Vent lines (64/1) pull out through trunk floor, push through.

Installation note

Check wiring (64), vent lines (64/1) and securing clips for suitability for reuse (use only hose quality conforming to parts specifications).

Screws (59) unscrew from soft top compartment side, screw in.

Fuel expansion tank (55) take out, insert.

Note

Model 107

Vent line (plastic pipe) from fuel expansion tank to vent valve shortened by 150 mm.

Production breakpoint: March 1988

Model	Engine	Vehicle ident end no.
107.041	103.982	A