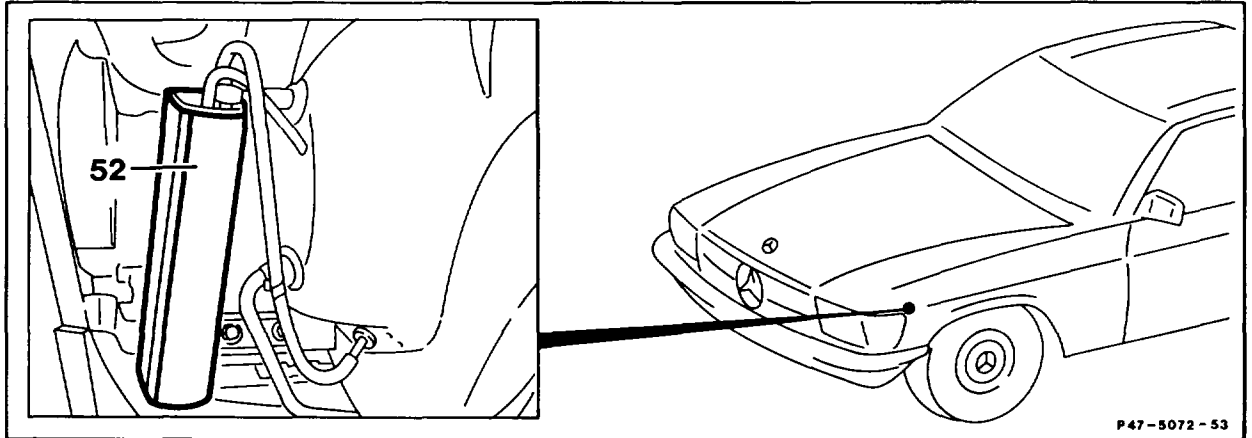
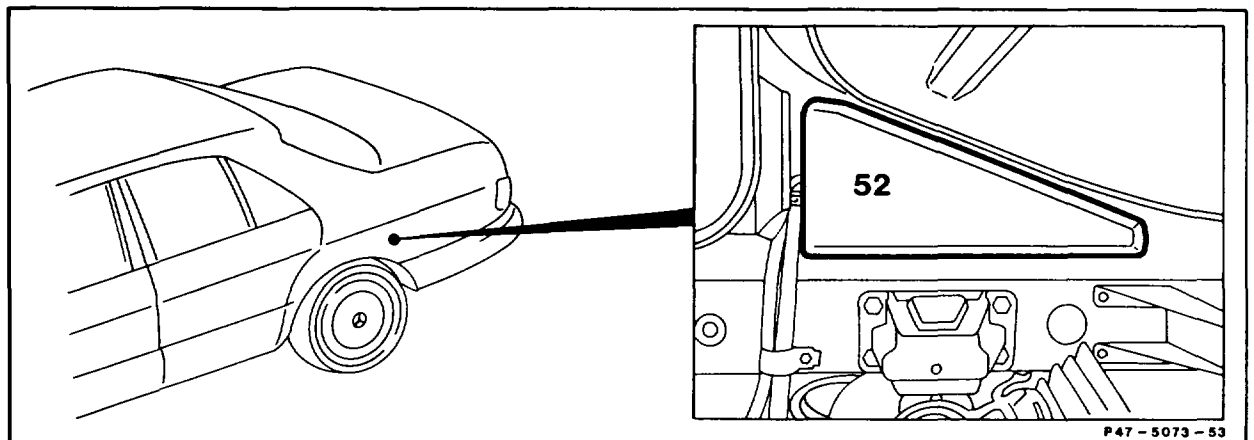


47-8212 Removing and installing activated charcoal filter

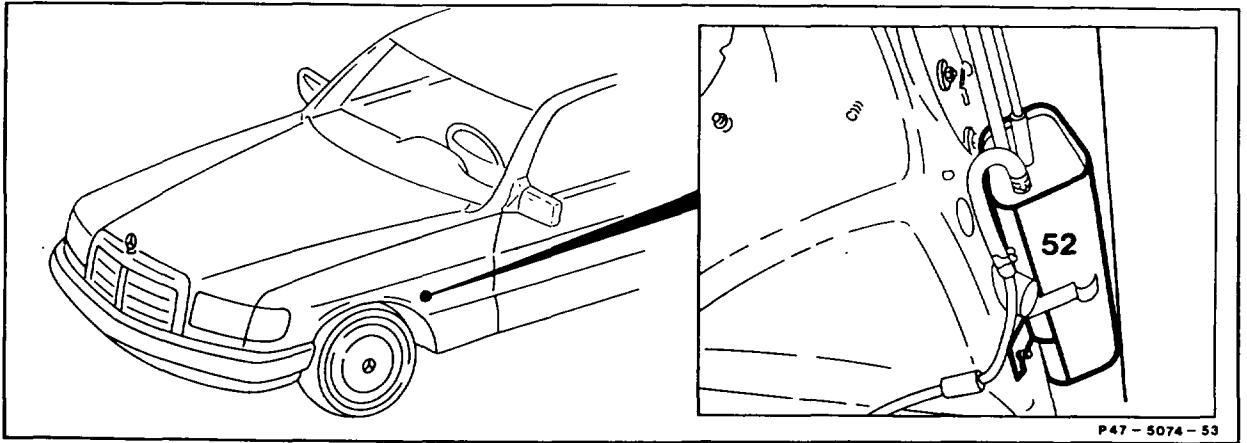
Operation no. of operation texts and work units or standard texts
and flat rates:
47-8212.



Model 107

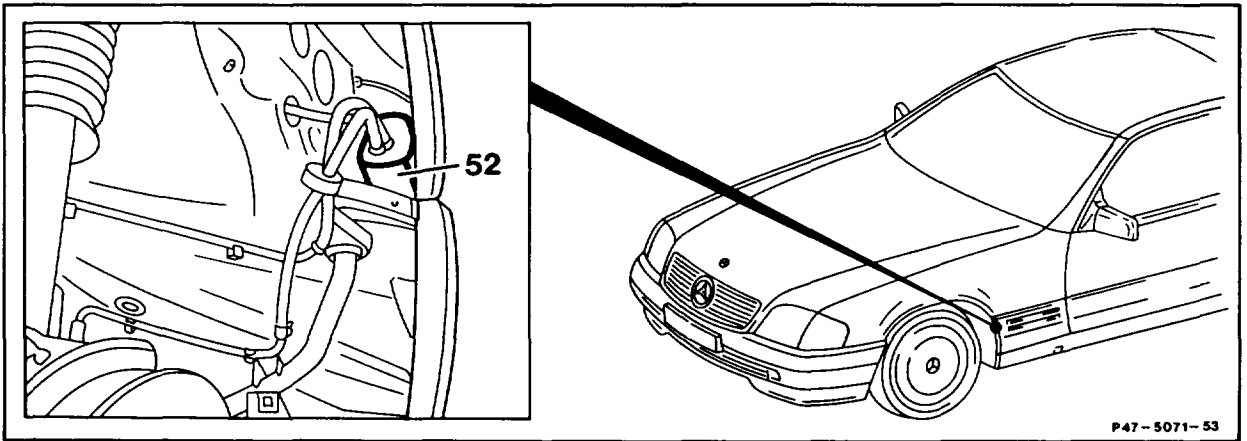


Model 126 with ASR



P47 - 5074 - 53

Model 124, model 126 without ASR, model 201



P47 - 5071 - 53

Model 129

Left front wheel	unscrew, screw on. Pay attention to tightening torque of wheel bolts (see RI 40-110).
Front left inner fender	remove, install.
Lines and wiring at activated charcoal filter (52)	detach, fit on.
Activated charcoal filter (52)	pull out upward, insert from top to bottom.

Note

On vehicles with ASR up to 08/1989 the activated charcoal filter (52) is located below the rear floor. The fuel tank is vented by the air-permeable floor of the activated charcoal filter.

