

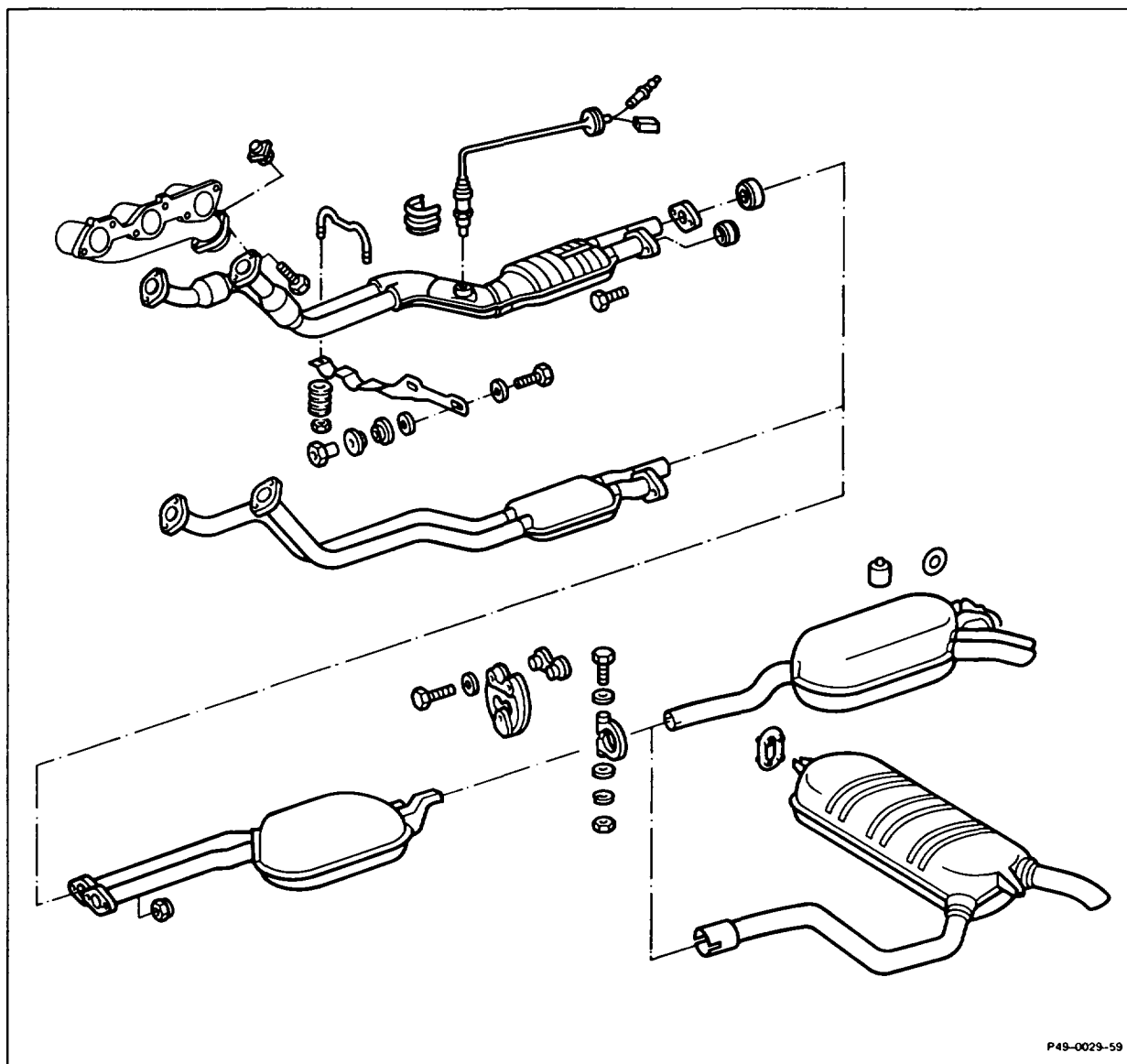
49-4940 Replacing center, tail silencer

Preceding work:
Removing exhaust system as of plug connection (49-0210).

Operation no. of operation texts and work units or standard texts
and flat rates:
49-4940.

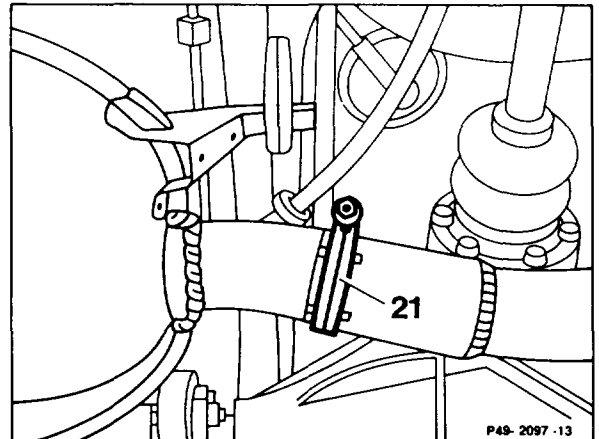
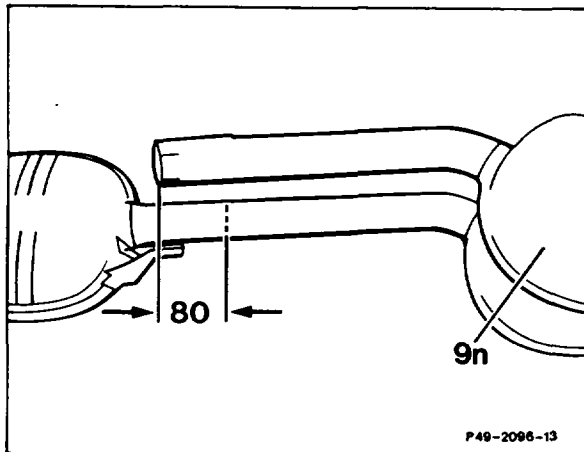
A. Plug-connected exhaust system

See Removing, installing, replacing and bolting exhaust system as of plug connection (49-7280).



Shown on model 124

B. Welded exhaust system



New tail silencer (9n)	position with plug connection exactly over the removed exhaust system and mark pipe length of new tail silencer on the removed exhaust system.
80 mm from the marking	(tolerance -10 mm) toward tail silencer, cut through pipe (broken line) to ensure an insertion depth of 70-80 mm.
For installation	use pipe clip (21).
Installation	is performed by analogy to removing, installing, replacing and bolting exhaust system as of plug connection (49-7280).

Note

When replacing the centre silencer, proceed by analogy to the tail silencer.

Model 107

For replacing the centre silencer, exchange complete front exhaust system (removing and installing exhaust system 49-7000).