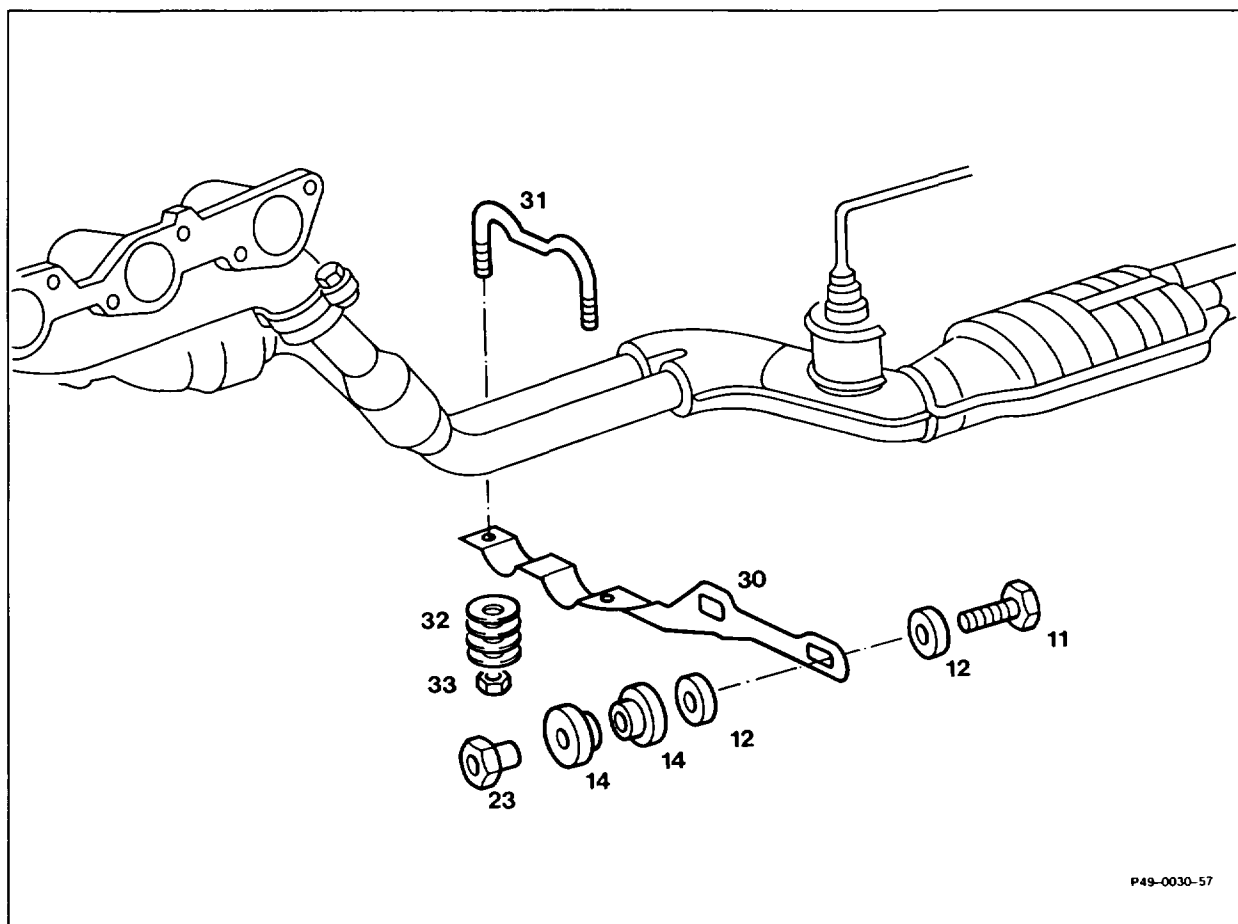


# 49-8701 Replacing carrier for exhaust bracket at transmission

Operation no. of operation texts and work units or standard texts and flat rates:  
49-8701.

## A. Models 124, 126, 201



P49-0030-57

Shown on model 124

Retaining bar (31) with dished springs (32) and self-locking nuts (33) .....

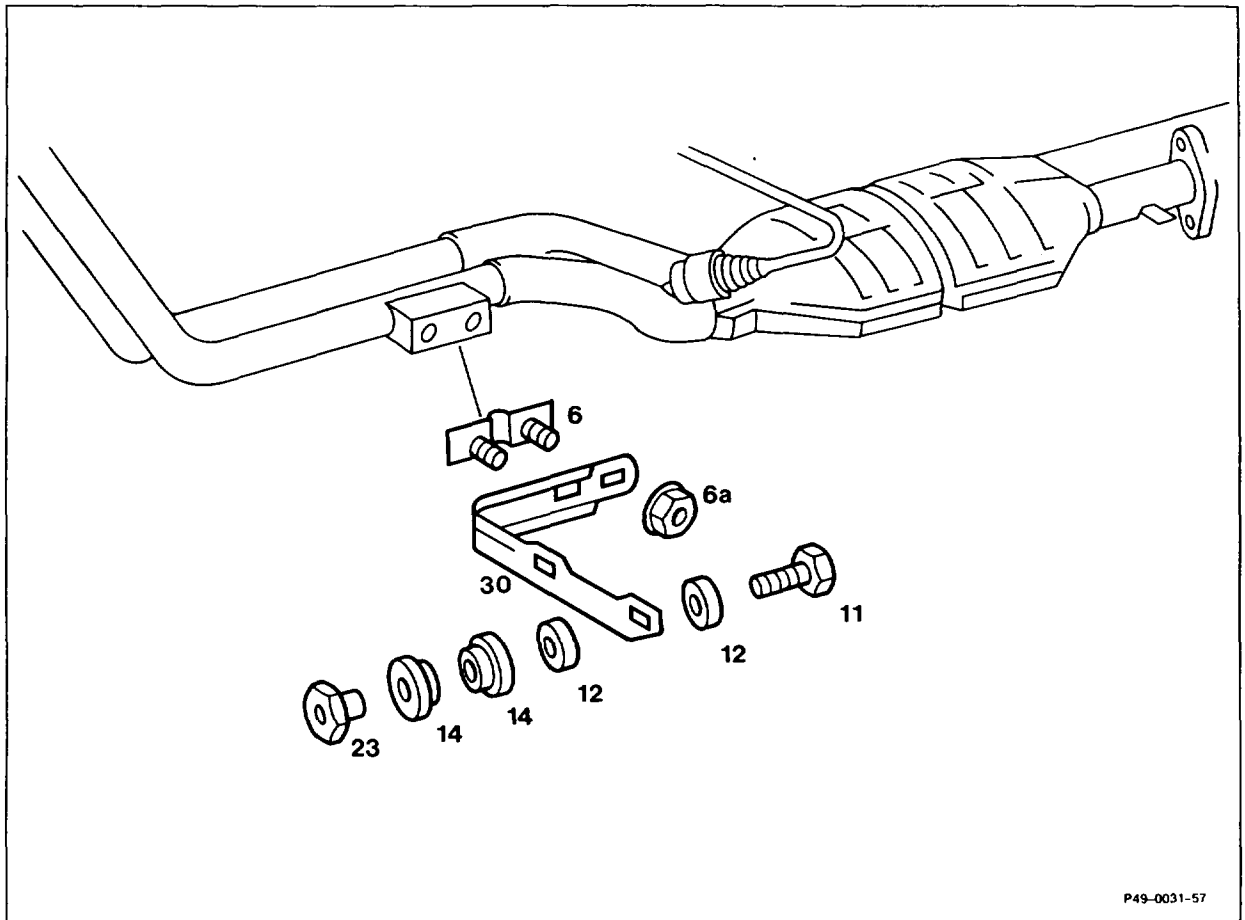
take off, fit on.  
Tightening torque 7 Nm (reference value).

Carrier (30) with screws (11), washers (12), rubber washers (14) and nuts (23) .....

take off, fit on.  
Tightening torque 20 Nm (reference value).

**Note**  
Check parts, replace if necessary.

**B. Model 129**



- |   |   |
|---|---|
| Self-locking nuts (6a) .....  | unscrew, screw on, replace.<br>Tightening torque 20 Nm (reference value). |
| Carrier (30) with screws (11), washers (12),<br>rubber washers (14) and nuts (23) ..... | take off, fit on.<br>Tightening torque 20 Nm (reference value).           |

**Installation note**

- |                          |  |
|--------------------------|--|
| Threaded plate (6) ..... | Check parts, replace if necessary.<br>check suitability for reuse, replace if necessary. |
|--------------------------|--|