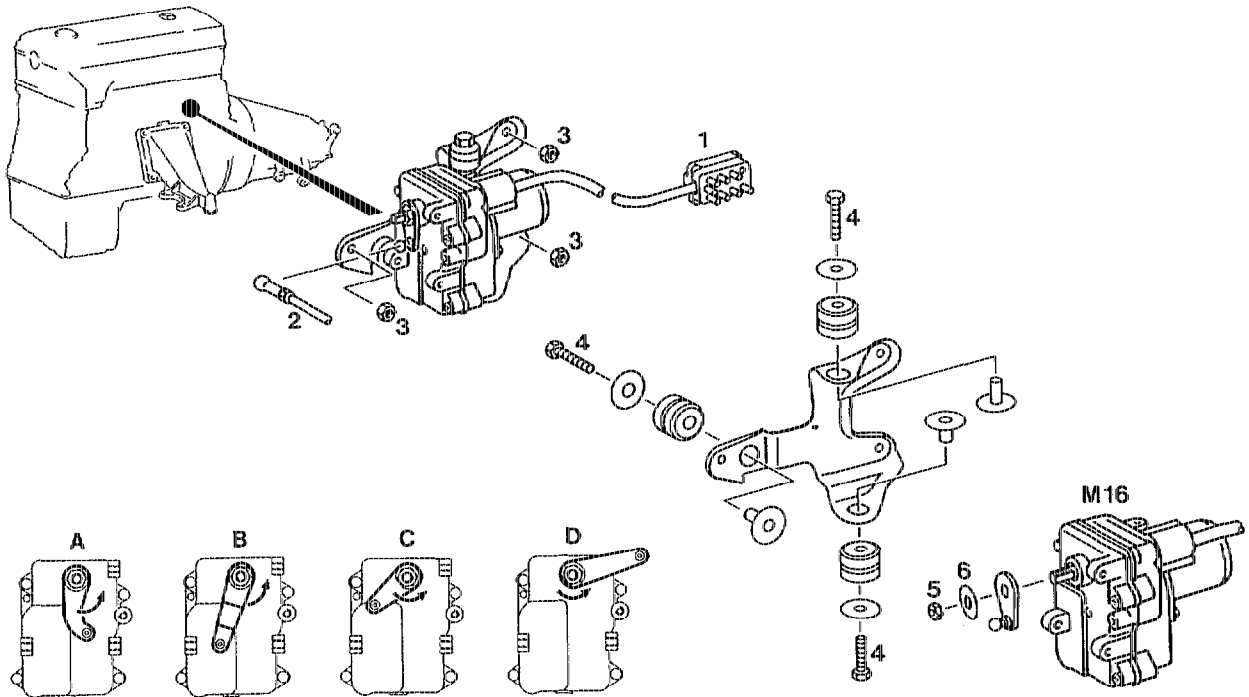


## 30-541 Removal and installation of cruise control actuator

Preceding work:  
 Starter removed (15-7100) engines 102.983/990.  
 Engine compartment lining removed (61-0105).

Operation no. of operation texts and work units or standard texts  
 and flat rates

### A. Engine 102



1542-14759

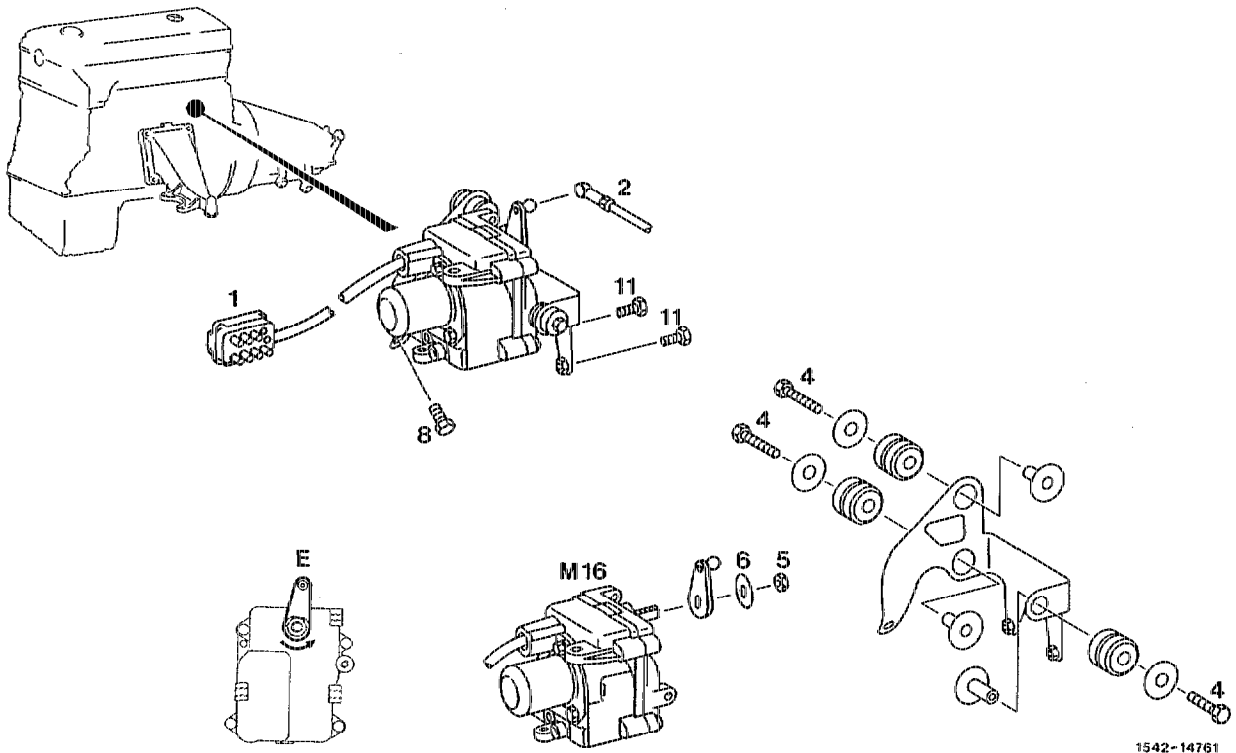
Battery .....	disconnect, connect.
Air cleaner (except engines with Stromberg carburetor) .....	remove, install (09/400).
Plug (1) on holder of diagnosis socket or on holder of ABS hydraulic unit at the connector .....	disconnect, connect.
Cable of Tempomat/cruise control (TPM) actuator (M16) .....	expose.

Connector rod (2) on Tempomat/cruise control (TPM) actuator (M16) .....	detach, attach.
Fixing nuts (3) .....	unscrew, screw on.
Tempomat/cruise control (TPM) actuator (M16) with holder .....	remove, install. On engines with injection system (except for 102.983/990) remove high-tension distributor cap and distributor rotor, loosen high-tension distributor, if required, and turn clockwise toward engine or remove. On 102.983/990 engines, extend Tempomat/cruise control (TPM) actuator (M16) first at the two rear studs and remove with the holder in downwards direction.
Fixing bolts (4) M6 x 28 .....	unscrew, screw on. 12 Nm.
Lock washer (6) .....	unlock, lock.
Fixing nut (5) .....	unscrew, screw on. 10 Nm.
Lever (A-D) .....	remove. When installing, turn drive shaft from Tempomat/cruise control (TPM) actuator (M16) opposite to direction of arrow against stop, mount lever (A-D), A     Stromberg carburetor, B     2E-E carburetor, C     Injection engines; except 102.983/990, D     Engines 102.983/990.
Connecting rod (2) .....	adjust (30-561).
Function test .....	perform on road.

## B. Engines 103 and 104.980/981

Preceding work:  
 Air cleaner removed (09-400).  
 Engine compartment lining removed (61-0105).

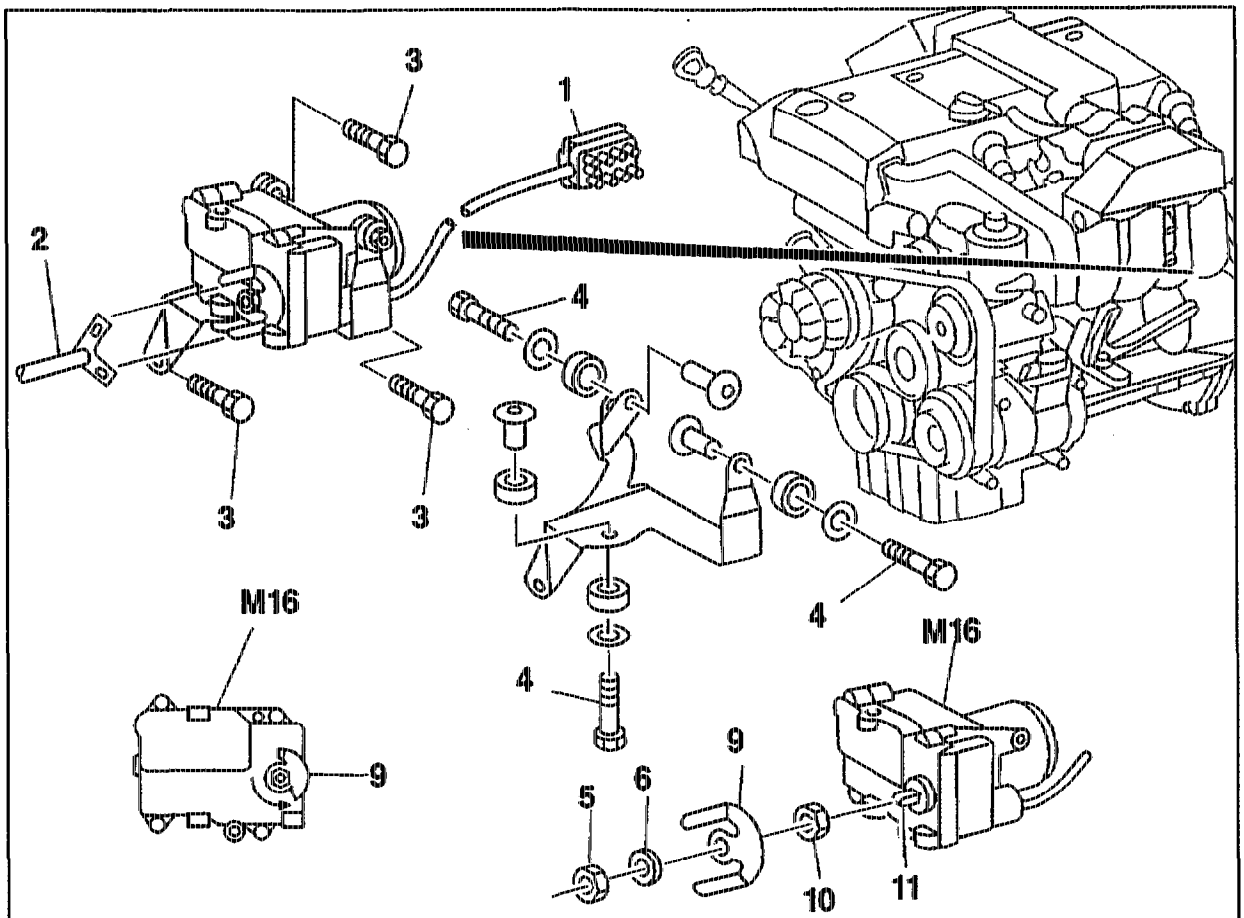
Operation no. of operation texts and work units or standard texts  
 and flat rates



Battery .....	disconnect, connect.
Plug (1) on model 124 at holder of diagnosis socket, on model 129 on right-hand wheelhouse or on model 201 on holder of ABS hydraulic unit .....	disconnect, connect at the connector.
Cable of Tempomat/cruise control (TPM) actuator (M16) .....	expose.
Connecting rod (2) on Tempomat/cruise control (TPM) actuator (M16) .....	disengage, engage.
Fixing bolts (11) M6 x 12 and (8) M8 x 30 .....	unscrew, screw on.

Tempomat/cruise control (TPM) actuator (M16) with holder .....	remove in downwards direction. On model 124 with refrigerant compressor, loosen lower fixing bolts for engine mount and lift engine.
Fixing bolts (4) M6 x 28 .....	unscrew, screw on, 12 Nm.
Lock washer (6) .....	unlock, lock.
Fixing nut (5) .....	unscrew, screw on, 10 Nm.
Lever (E) .....	remove. When installing, turn drive shaft of Tempomat/cruise control (TPM) actuator (M16) opposite to direction of arrow against stop. Mount lever (E).
Connecting rod (2) .....	adjust (30-561).
Function test .....	perform on road.

## C. Engine 111



P30-5325-57

Battery ground cable .....	disconnect, connect.
Starter .....	remove, install (15-7100).
Plug (1) on holder of diagnosis socket .....	disconnect, connect.
Cable of Tempomat/cruise control (TPM) actuator (M16) .....	expose.
Fixing bolts (3) M6x15 .....	unscrew, screw on.
Tempomat/cruise control (TPM) actuator (M16) with holder .....	remove in downwards direction.
Fixing bolts (4) M6x28 .....	unscrew, screw on, 12 Nm.
Lock washer (6) .....	unlock, lock.

Fixing nut M8x1 (5) on the drive shaft (11) of the Tempomat/cruise control actuator (M16) . . . . .	unscrew, screw on. 10 Nm.
Tab washer (6) and setting lever (9) . . . . .	remove, install.

**Note**

When installing the setting lever (9), the drive shaft (11) of the Tempomat/cruise control actuator (M16) must be turned against the stop in the opposite direction to the arrow on the housing. The setting lever (9) is to be installed in this position.

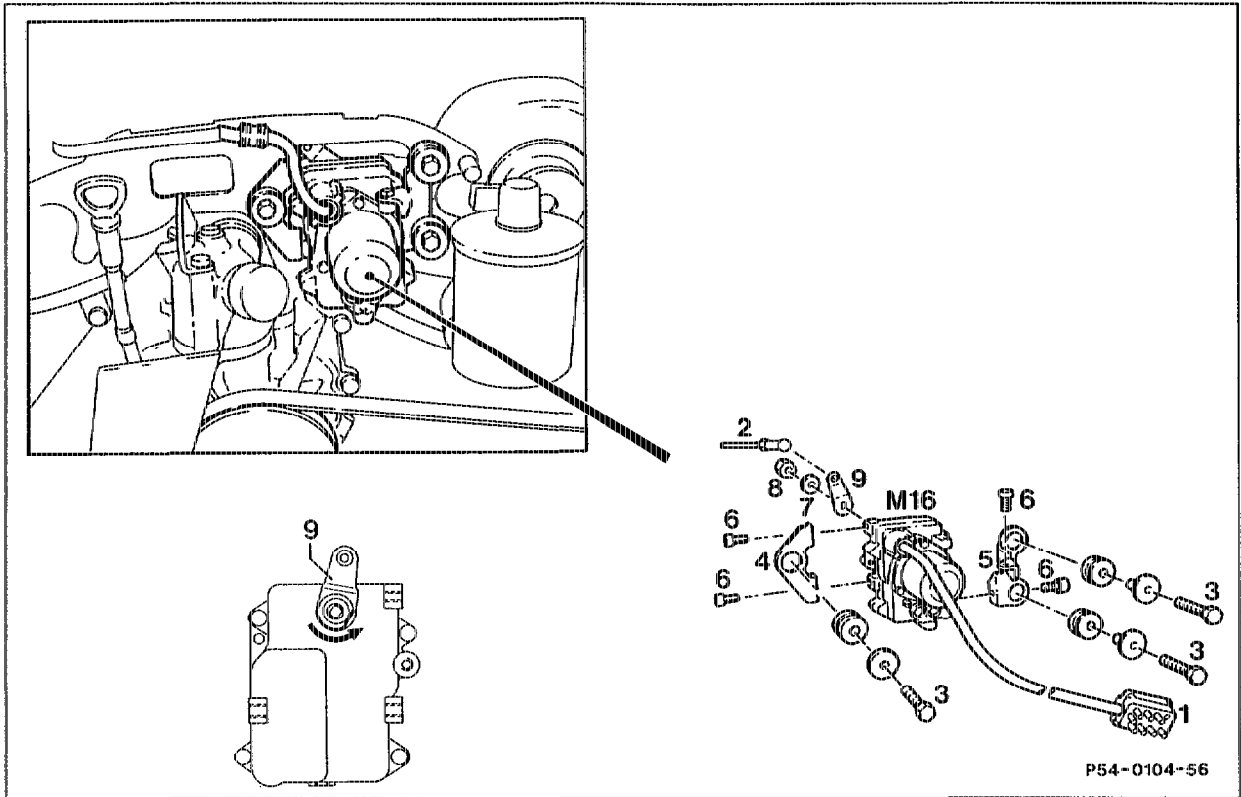
Nut M8x1 (10) on the drive shaft (11) of the Tempomat/cruise control actuator (M16) . . . . .	unscrew, screw on.
--	--------------------



Only screw nut M8x1 (10) onto the drive shaft (11) until the threaded bolt of the drive shaft projects 8.5 mm.

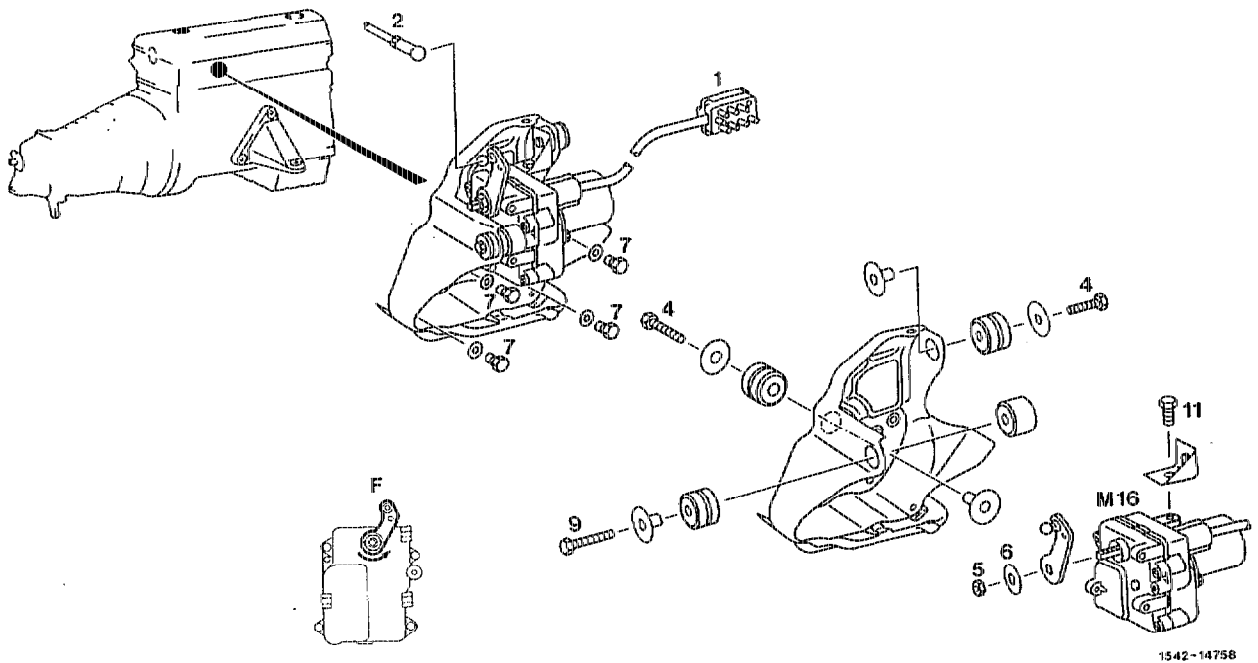
Connecting rod . . . . .	adjust (30-561).
Function test . . . . .	perform on road.

## D. Engine 119.960



Battery .....	disconnect, connect.
Cover in front of air cleaner .....	remove, install.
Plug (1) on right-hand wheelhouse .....	disconnect, connect.
Connecting rod (2) on Tempomat/cruise control (TPM) actuator (M16) .....	disengage, engage.
Bolts (3) .....	unscrew, screw on.
Tempomat/cruise control (TPM) actuator (M16) with holder (4, 5) .....	remove, install.
Fixing bolts (6) .....	unscrew, screw on, 10 Nm.
Holders (4,5) from Tempomat/cruise control (TPM) actuator (M16) .....	remove, mount.
Lock washer (7) .....	unlock, lock.
Fixing nut (8) .....	unscrew, screw on, 10 Nm.
Lever (9) .....	remove. When installing, turn drive shaft of Tempomat/cruise control (TPM) actuator (M16) opposite to direction of arrow against stop. Mount lever (9).
Connecting rod (2) .....	adjust (30-561).
Function test .....	perform on road.

## E. Engines 601.91/92, 602.91 and 603.91

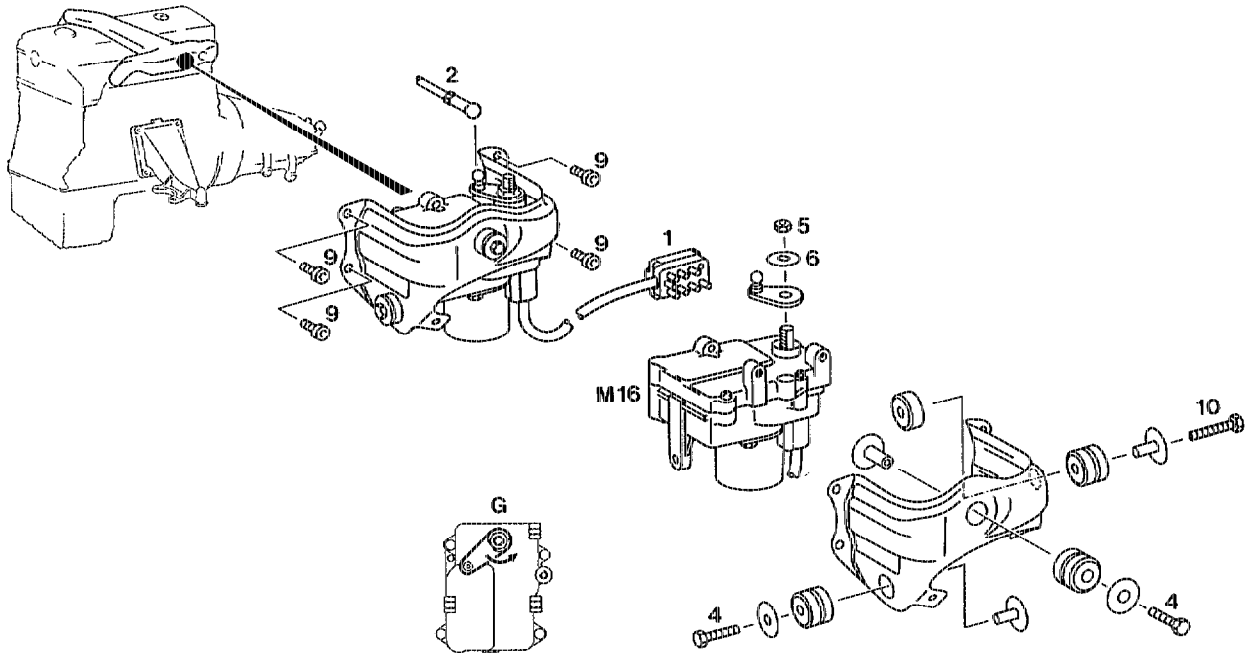


1542-14758

Battery .....	disconnect, connect.
Plug (1) between coolant expansion tank and windshield washer tank from connector .....	disconnect, connect.
Cable of Tempomat/cruise control (TPM) actuator (M16) .....	expose.
Connecting rod (2) on Tempomat/cruise control (TPM) actuator (M16) .....	disengage, engage.
Fixing bolts (11) for shield on holder (1st version only) .....	unscrew, screw on.
Fixing bolts (7) M6 x 18 .....	unscrew, screw on.
Tempomat/cruise control (TPM) actuator (M16) with holder .....	remove, install.
Fixing bolts (4) M6 x 28 .....	unscrew, screw on, 12 Nm.
Lock washer (6) .....	unlock, lock.
Fixing nut (5) .....	unscrew, screw on, 10 Nm.
Lever (F) .....	remove, replace rubber mount. When installing, turn drive shaft of Tempomat/cruise control (TPM) actuator (M16) opposite to direction of arrow against stop. Mount lever (F).
Connecting rod (2) .....	adjust (30-561).
Function test .....	perform on road.



## F. Engine 602.96



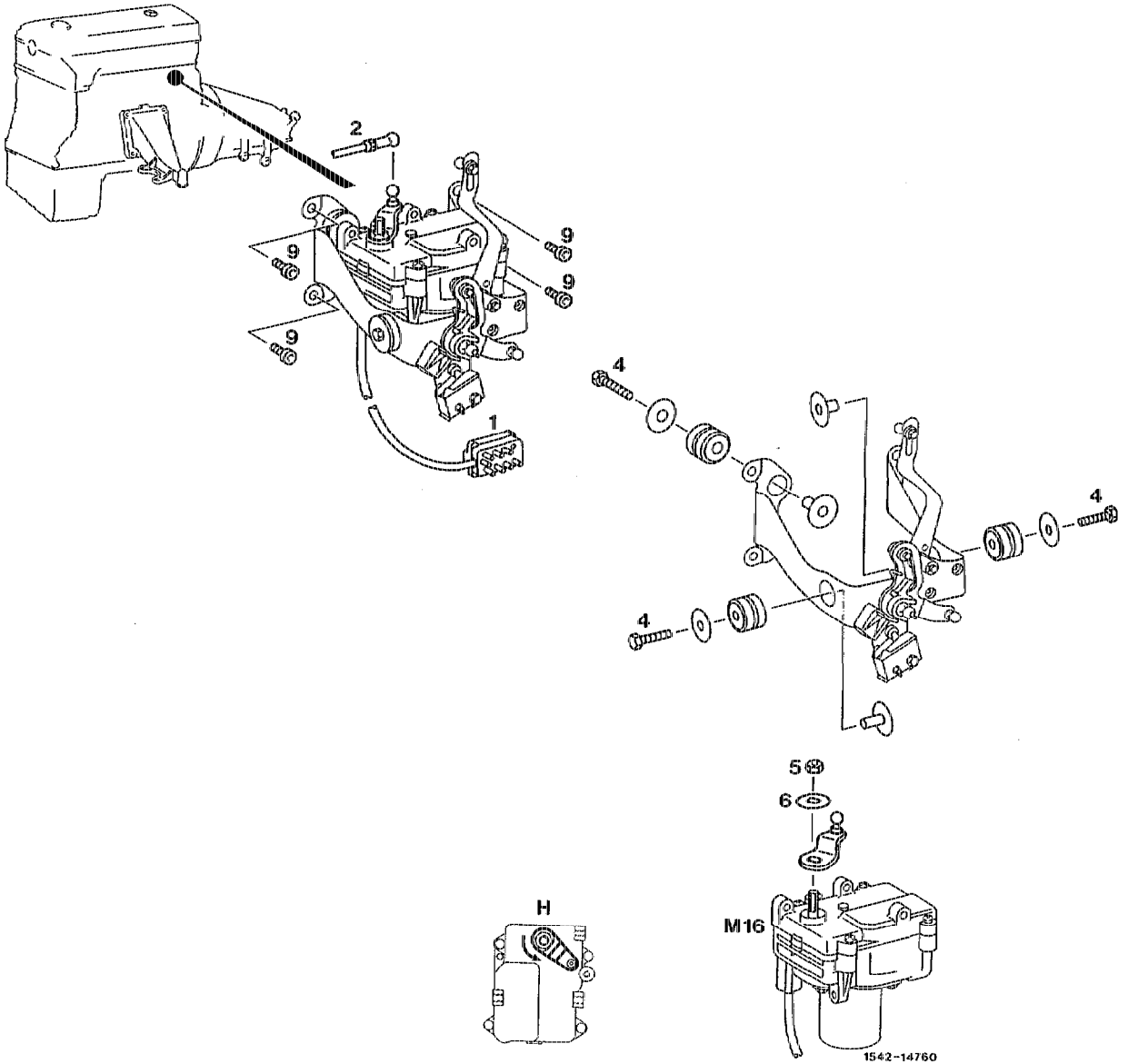
1542-14757

Battery .....	disconnect, connect.
Plug (1) on holder for ABS hydraulic unit from connector .....	disconnect, connect.
Cable of Tempomat/cruise control (TPM) actuator (M16) .....	expose.
Connecting rod (2) on Tempomat/cruise control (TPM) actuator (M16) .....	disengage, engage.
Fixing bolts (9) M6 x 18 .....	unscrew, screw on.
Tempomat/cruise control (TPM) actuator (M16) with holder .....	remove, install.
Fixing bolts (4) M6 x 28 .....	unscrew, screw on, 10 Nm.
Lock washer (6) .....	unlock, lock.
Fixing nut (5) .....	unscrew, screw on, 10 Nm.
Lever (G) .....	remove. When installing, turn drive shaft of Tempomat/cruise control (TPM) actuator (M16) opposite to direction of arrow against stop, mount lever (G).
Connecting rod (2) .....	adjust (30-561).
Function test .....	perform on road.

## G. Engines 603.96/971

Preceding work:  
Air cleaner removed (09-400) engine 603.96.

Operation no. of operation texts and work units or standard texts  
and flat rates



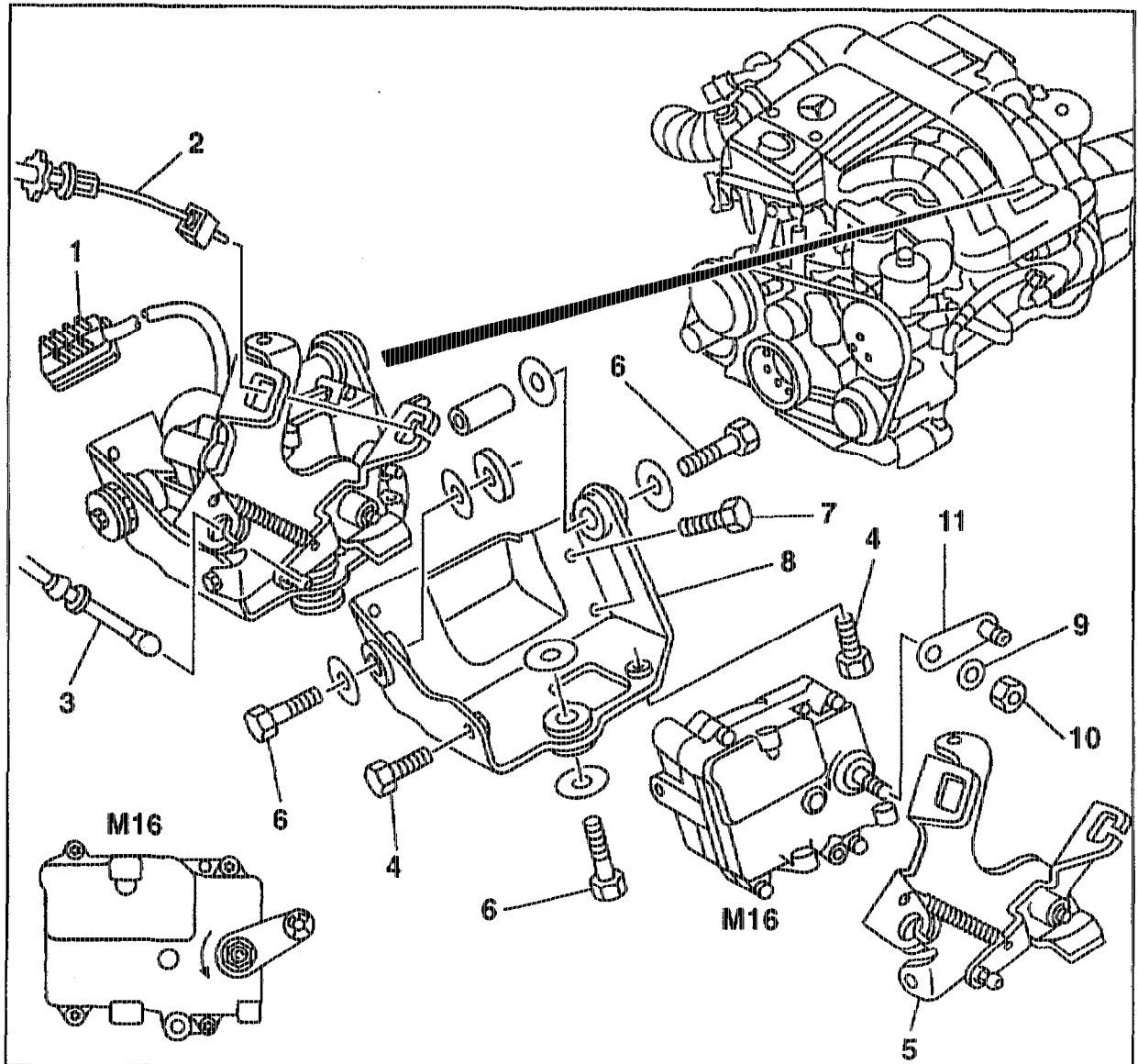
Battery .....	disconnect, connect.
Cover of left-hand wheelhouse on model 140 ...	remove, install.
Plug (1) on holder of diagnosis socket, on model 140 on left of wheelhouse at the connector .....	disconnect, connect.
Cable of actuator (M16) .....	expose.

Throttle linkage and control pressure cable . . . . .	disengage, engage.
Connecting rod (2) on Tempomat/cruise control (TPM) actuator (M16) . . . . .	disengage, engage.
Fixing bolts (9) . . . . .	unscrew, screw on.
Tempomat/cruise control (TPM) actuator (M16) with holder . . . . .	remove, install.
Fixing bolts (4) . . . . .	unscrew, screw on, 12 Nm.
Lock washer (6) . . . . .	unlock, lock.
Fixing nut (5) . . . . .	unscrew, screw on, 10 Nm.
Lever (H) . . . . .	remove. When installing, turn drive shaft of Tempomat/cruise control (TPM) actuator (M16) opposite to direction of arrow against stop, mount lever (H).
Connecting rod (2) . . . . .	adjust (30-561).
Function test . . . . .	perform on road.

## H. Engine 605

Preceding work:  
Front engine encapsulation removed (94-5310)

Operation no. of operation texts and work units or  
standard texts and flat rates:



P30-5316-9

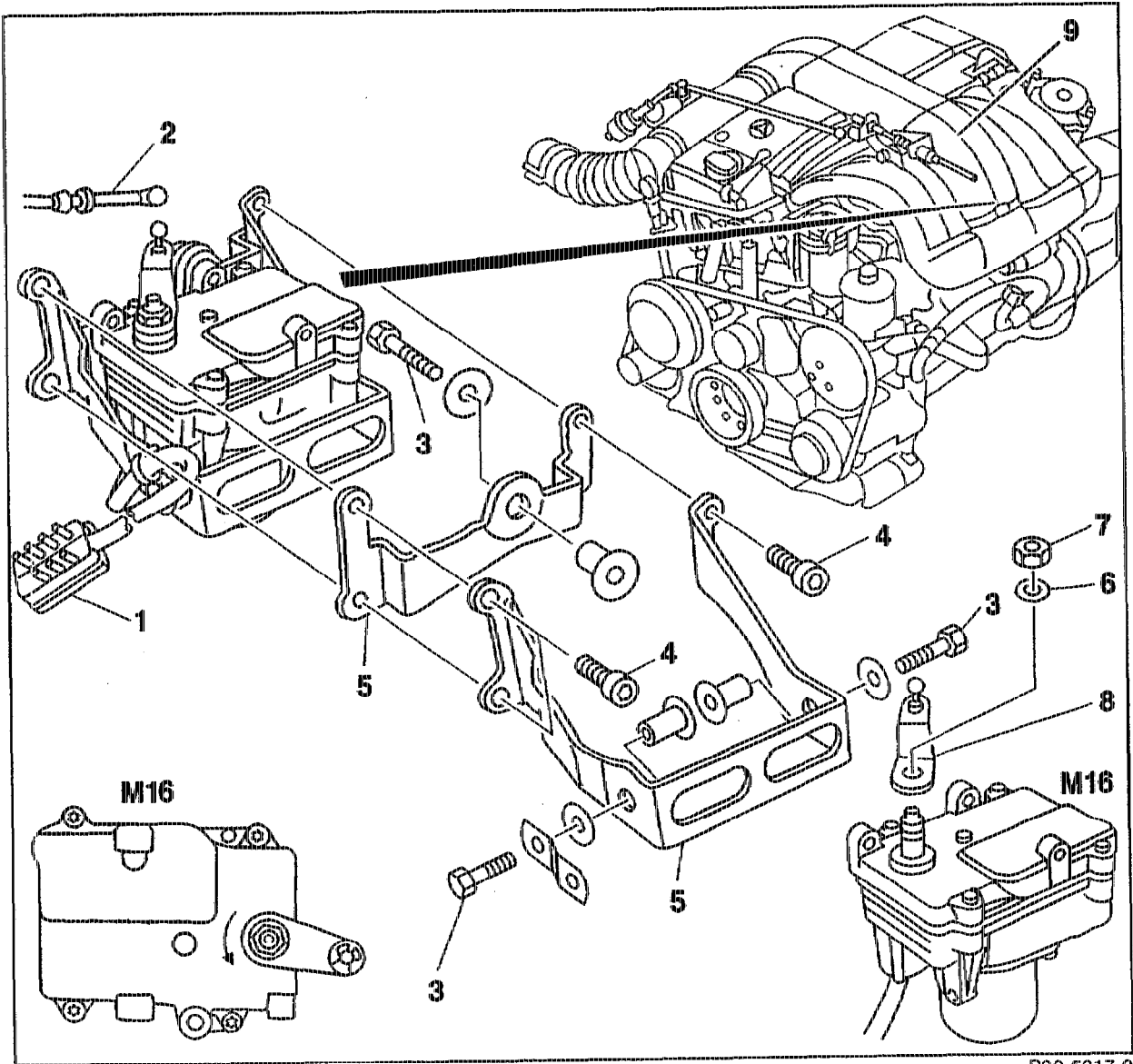
Ground cable at battery .....	disconnect, connect.
Windshield washer fluid reservoir .....	remove, install.
Plug (1) in left wheelhouse .....	disconnect, connect at coupling.
Cable of Tempomat/cruise control actuator (TPM, M16) .....	expose, secure.

Control cable (2) and throttle control cable (3) . . .	disengage, engage.
Screws (4) M16x15 . . . . .	unscrew, screw on at holder (5) of transfer lever.
Holder (5) . . . . .	remove, mount.
Screws (6) of Tempomat/cruise control actuator (TPM, M16) with washers and distance sleeves . .	unscrew, screw on.
Tempomat/cruise control actuator (TPM, M16) . .	remove, install.
Screws (7) M6x24 (4 off) . . . . .	unscrew, screw in.
Holder (8) . . . . .	remove, install.
Lock washer (9) . . . . .	unlock, lock.
Nut (10) . . . . .	unscrew, screw on.
Lever (11) . . . . .	remove. When installing, turn drive shaft of Tempomat/cruise control actuator (TPM, M16) against the stop in the opposite direction to the arrow. Mount lever (11).
Control cable . . . . .	adjust (30-561).
Function test . . . . .	perform on road.

# I. Engine 606

Preceding work:  
Starter removed (15-7100)

Operation no. of operation texts and work units or  
standard texts and flat rates:



P30-5317-9

Windshield washer fluid reservoir .....	remove, install.
Plug (1) in left wheelhouse .....	disconnect, connect at coupling.
Cable of Tempomat/cruise control actuator (TPM) (M16) .....	expose, secure.
Resonance suction line (9) .....	loosen, fold backwards (14-1984).

Connecting rod (2) on Tempomat/cruise control actuator (TPM, M16) .....	disengage, engage.
Screws (3) M6x35 of Tempomat/cruise control actuator (TPM, M16) with washers and sleeves ..	unscrew, screw on.
Tempomat/cruise control actuator (TPM, M16) ..	lift out, install from above.
Hexagon socket bolts (4) M6x18 (4 off) .....	unscrew, screw in at two-piece holder (5).
Two-piece holder (5) .....	lift out, install from above.
Lock washer (6) .....	unlock, lock.
Nut (7) .....	unscrew, screw on.
Lever (8) .....	remove. When installing, turn drive shaft of Tempomat/cruise control actuator (TPM, M16) against the stop in the opposite direction to the arrow. Mount lever (8).
Connecting rod (2) .....	adjust (30-561).
Resonance suction line (9) .....	fold forwards, secure (14-1984).
Function test .....	perform on road.