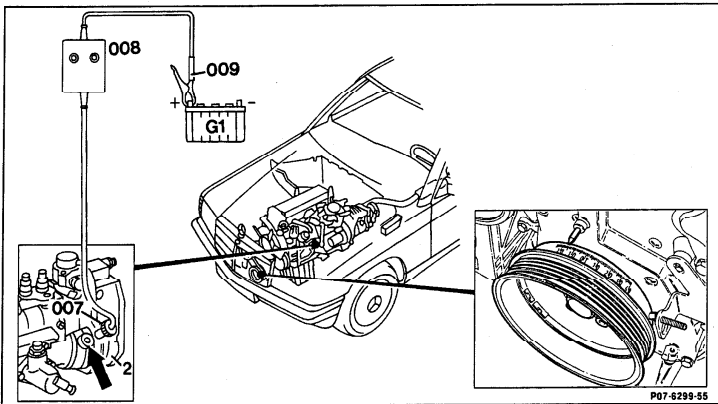


⚠ WARNING!
 Apply parking brake before performing any work with engine running.
 Place transmission selector lever in Park position.

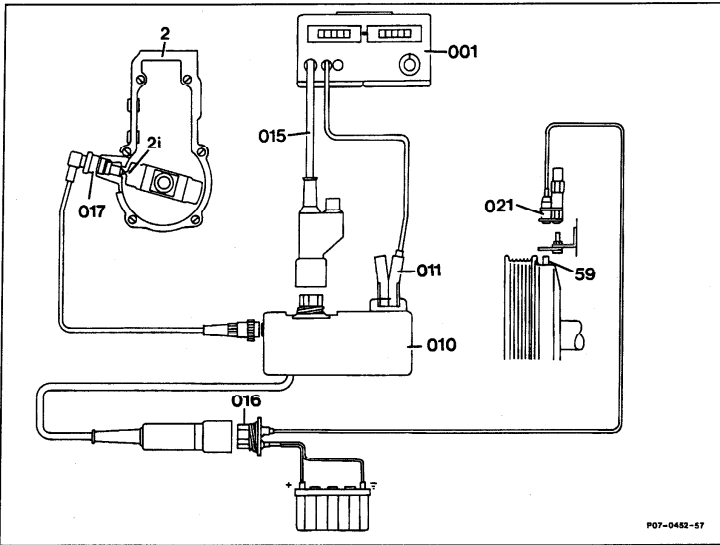
A. Checking injection timing (position sensor RIV-method)



- | | |
|--|--|
| Screw plug (arrow) | Remove from, install in, governor housing (2).
Torque to 30 – 35 Nm. |
| Position sensor (007) | install, remove.
Special tool 617 589 08 21 00. |
| Battery clamp (009) | connect to, disconnect from B + . |
| Crankshaft | Turn by hand until both lamps, A and B, light up
simultaneously in indicator (008).
27 mm insert 001 589 65 09 00. |
| RI (reference impulse) adjusting value | Read off degree scale. Refer to chart. If
necessary adjust injection timing (see 0761). |

- Screw plug (arrow) Remove from, install in, governor housing (2).
Torque to 30 - 35 Nm.
- Position sensor (007) install, remove.
Special tool 617 589 08 21 00.

B. Checking injection timing with digital tester (position sensor RIV-method)



Connection diagram

- | | | | |
|-----|---------------------------|-----|-------------------------|
| 001 | Digital tester | 017 | RI-transmitter |
| 010 | Adapter | 021 | TDC-impulse transmitter |
| 011 | Trigger clamp | 2 | Governor |
| 015 | Test cable with connector | 2i | RI-transmitter pin |
| 016 | Diagnostic socket | 59 | TDC-transmitter |

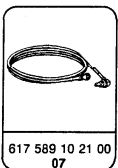
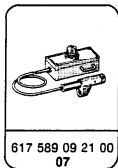
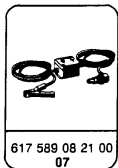
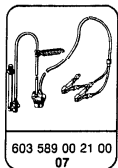
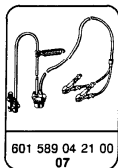
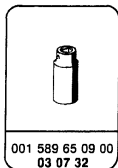
Checking injection timing

0760

RI-test value

Engine	Model Year	RI-value
603		$14^{\circ} + 0.5$
606	starting 1994	$15^{\circ} \pm 1$

Special tools



Equipment

For use with adapter

Digital testers

Bear DACE
Sun, MEA 1500 MB