

Model 123 124 129 201

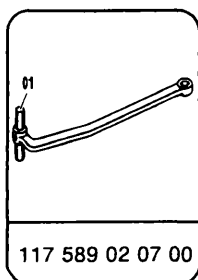
## Oil grades

approved oil	Refer to MBNA Factory Approved Service Products list
--------------	--

## Capacities in liters

Transmission type	Capacity	
4-speed transmission	716.0	1.6
	716.21	1.3
5-speed transmission	717.40	1.6
	717.41	1.5
	717.43	1.5
	717.45	1.7

## Special tools



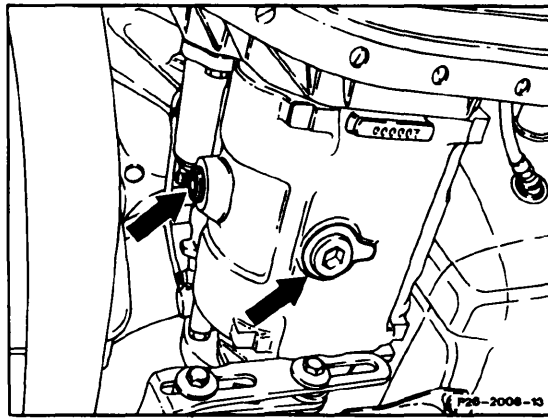
## Commercial tools

14 mm hex. driver insert, 1/2" square drive	obtain locally
---	----------------

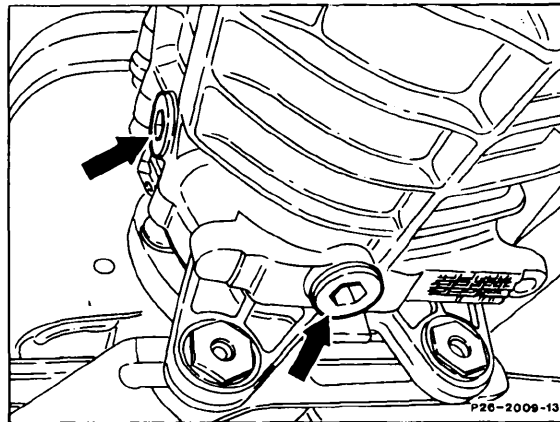
**Note:** When performing this job number, the engine compartment lower panel or the noise encapsulation panel must be removed, and replaced after completing all maintenance work (refer to job number 6190 or 9400).

**Warning!** To help prevent risk of injury when opening filler plug on model 201, wear leather gloves; place an extension on wrench; or open filler plug by striking wrench.

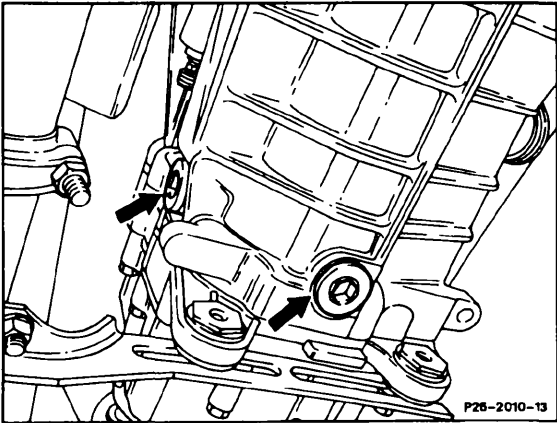
- Drain oil only with transmission at operating temperature; remove both oil filler plug and drain plug. Clean drain plug with magnet.
- Install oil drain plug and torque to max. 60 Nm.
- Fill oil up to over flow (upper arrow). Install oil filler plug and torque to max. 60 Nm.
- Check transmission for leaks at operating temperature.



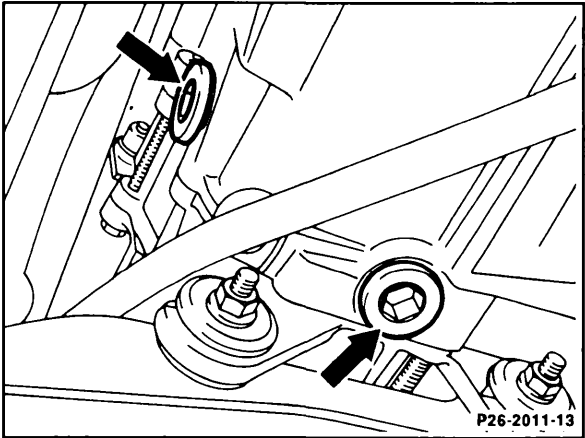
Transmission 716.0



Transmission 716.21



Transmission 717.40



Transmission 717.41, 717.43, 717.45