

All models except 140

Torque specifications

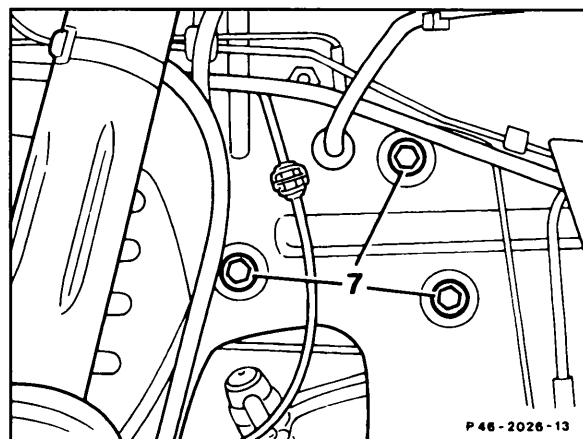
Nm

Steering gear mounting bolts

70-80

Check that steering gear bolts are tight, retighten, if necessary.

Note: Do not loosen bolts to check torque. If the torque required to turn the bolt **further** is less than specified, tighten bolt accordingly.



7 Steering gear bolts