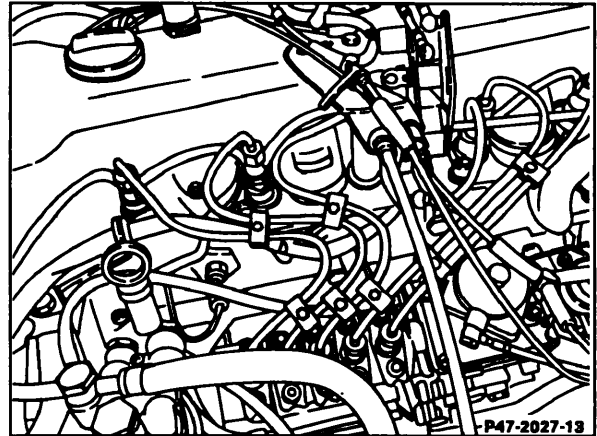


Model 107 up through 07.1985
123
126 up through 08.1985
201 up through 12.1984

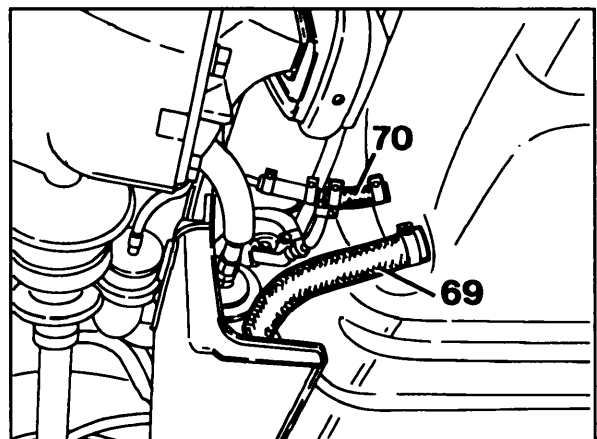
Visual check

Check all fuel system components for leaks.

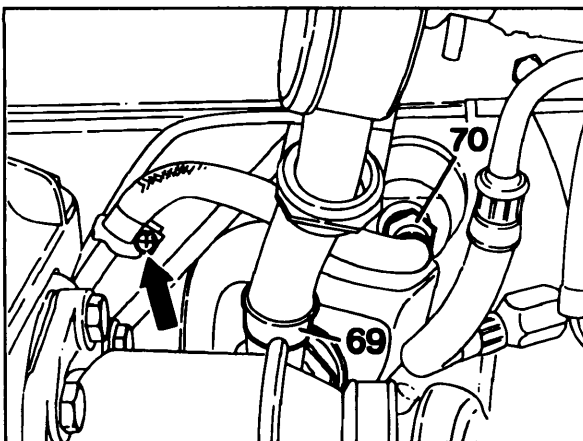
Check condition of fuel lines and hoses and for correct routing.



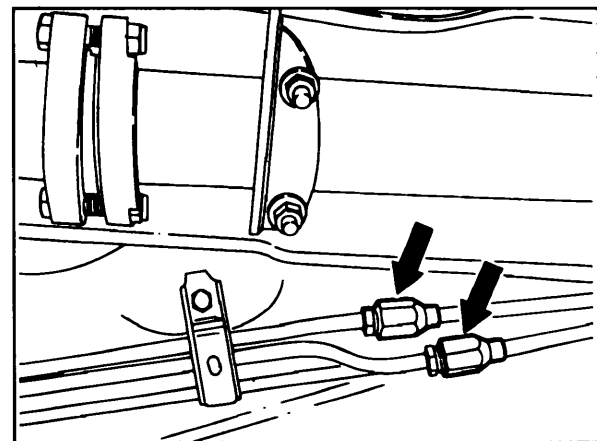
All diesel engines



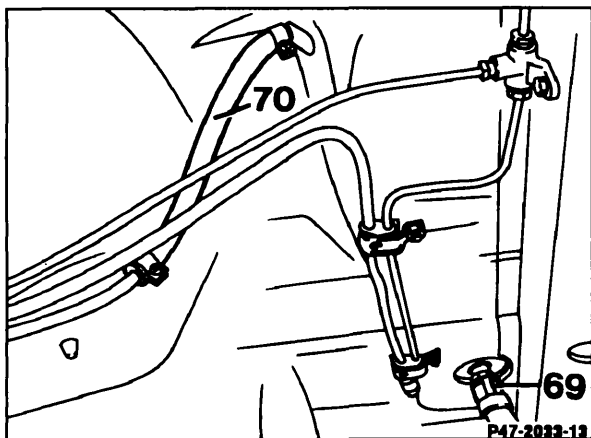
Model 123 station wagon
69 Supply line
70 return line



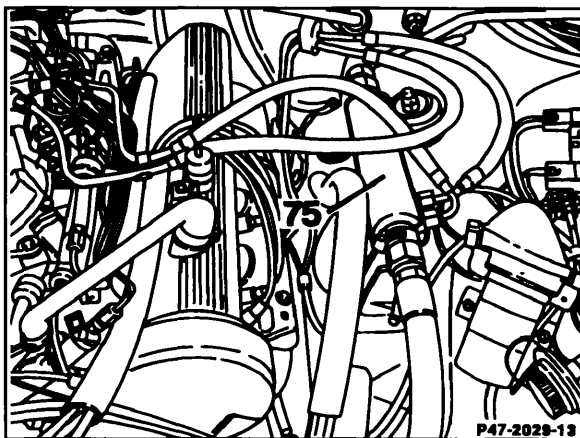
Model 126
69 Supply line
70 Return line



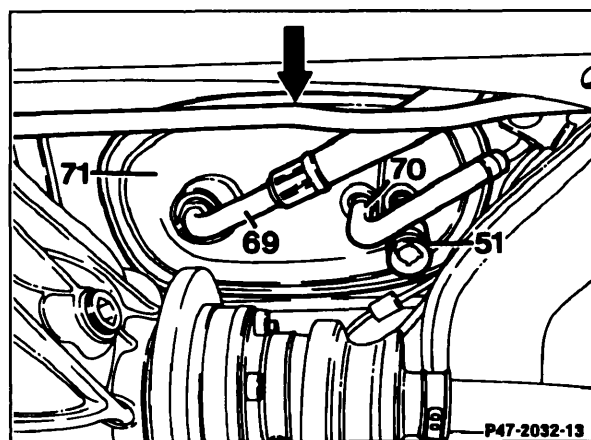
Model 126



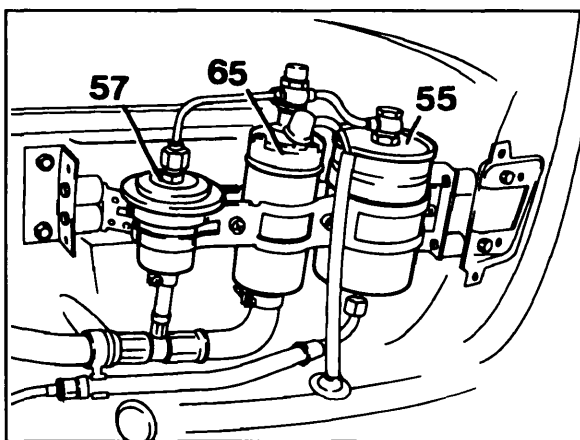
Model 107
69 Supply line
70 Return line



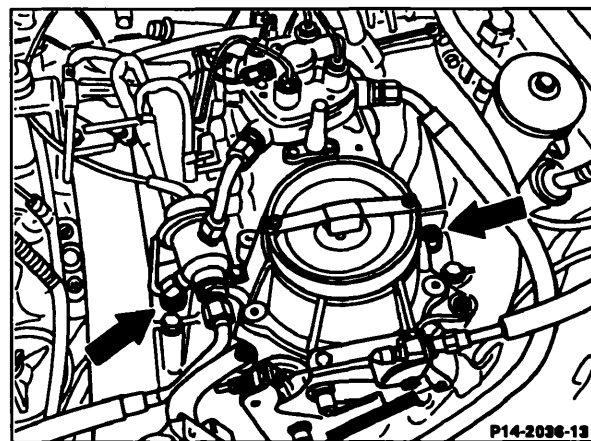
Fuel cooler (75)



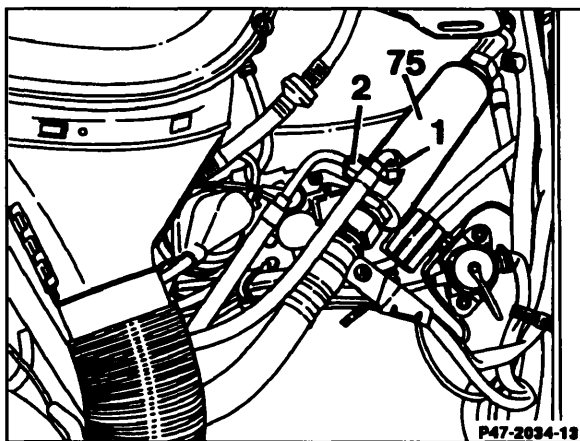
Model 201
51 Vent valve
69 Supply line
70 Return line



Model 201 Fuel pump assembly



Model 201



Model 201 Fuel cooler (75)