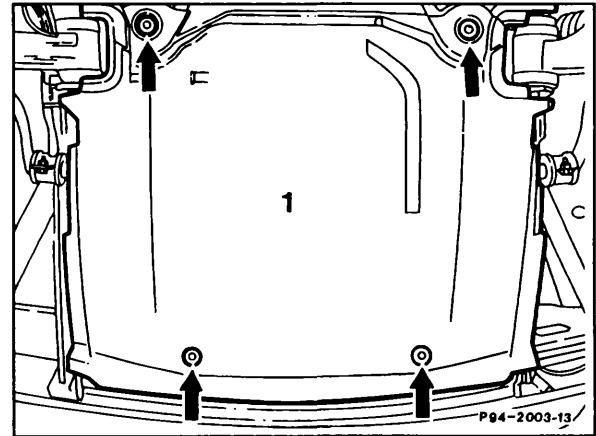


Model 124.1
126.1 starting 1986
201.1
140.1

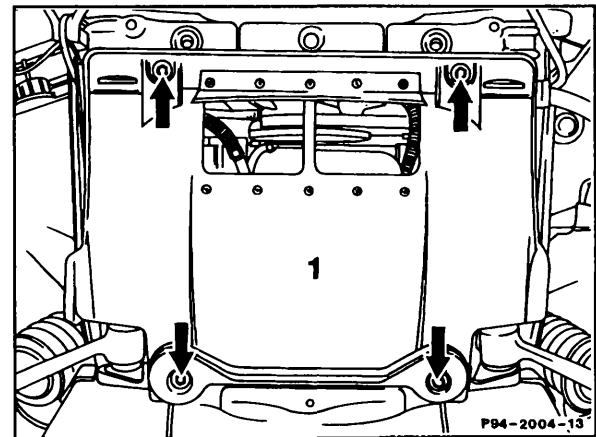
Front noise encapsulation panel

Removal

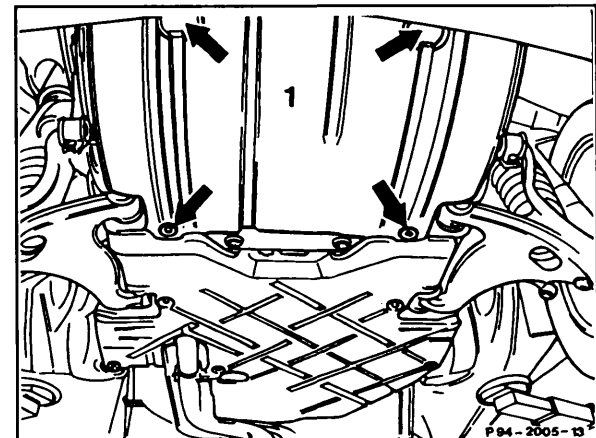
- Unscrew small bolts (arrows) and remove front noise encapsulation panel.



Models 124.1, 140.1



Model 126.1

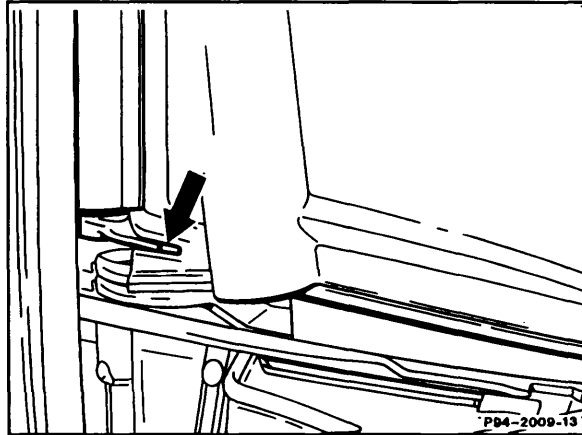


Model 201.1

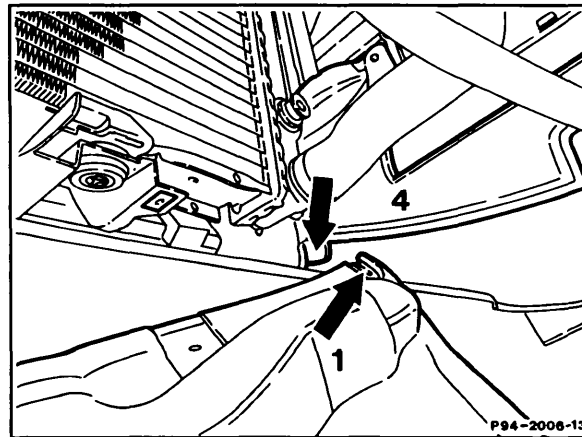
9490 Removing and installing lower noise encapsulation panels

Installation

- On model 124 and 201 engage the slots on the lower noise encapsulation panel (1) with the tabs of the side panels (4).

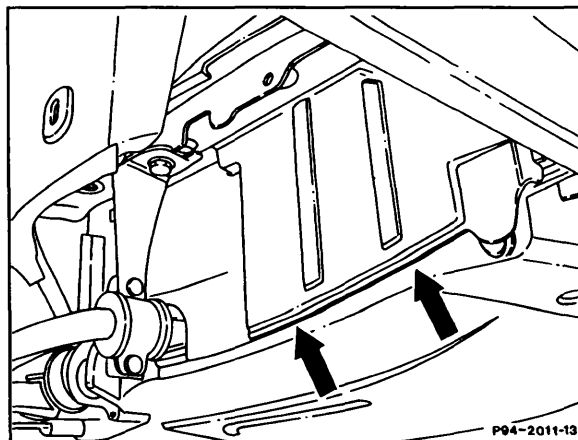


Model 124.1

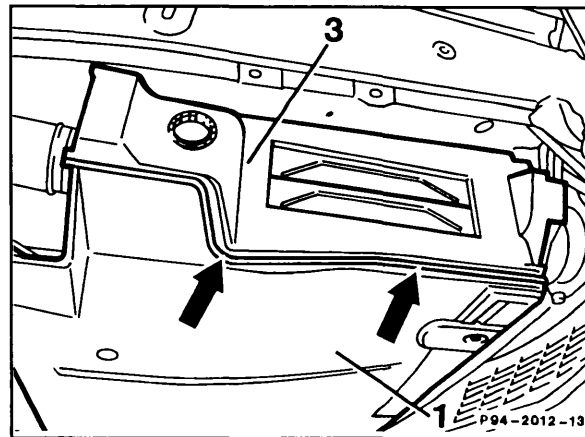


Model 201.1

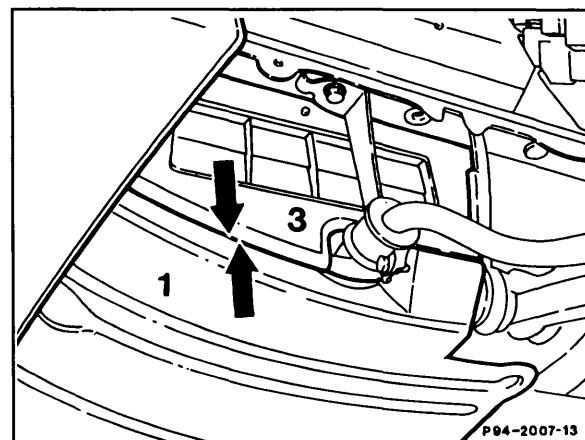
- Push lower noise encapsulation panel (1) up; edges of side panels (3) must engage over lower panel (1).
- Bolt lower noise encapsulation panel (1) in place.



Models 124.1, 140.1



Model 126.1

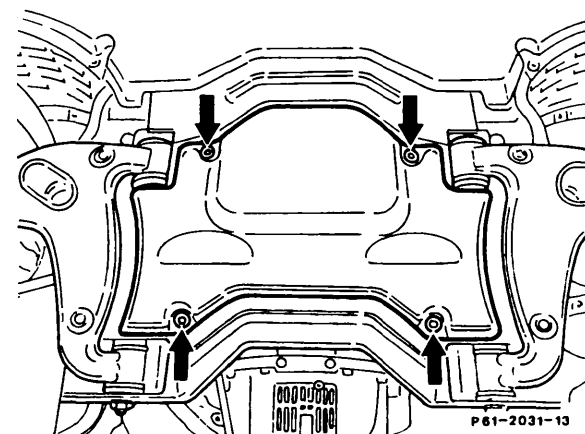


Model 201.1

Center noise encapsulation panel Model 140.1 only

Removal/Installation

- Screw out small bolts (arrows) and remove noise encapsulation panel (2).
- ' Install in reverse order.

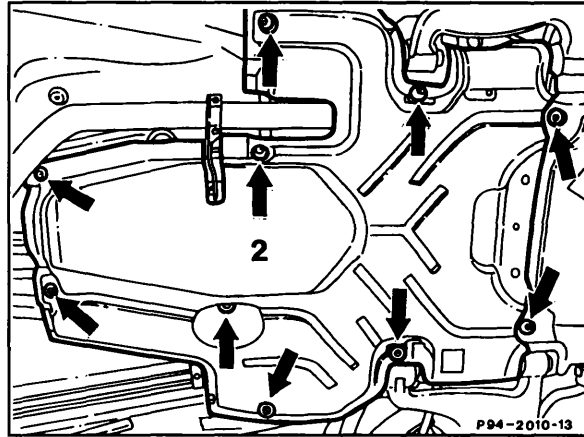


9490 Removing and installing lower noise encapsulation panels

Rear noise encapsulation panel

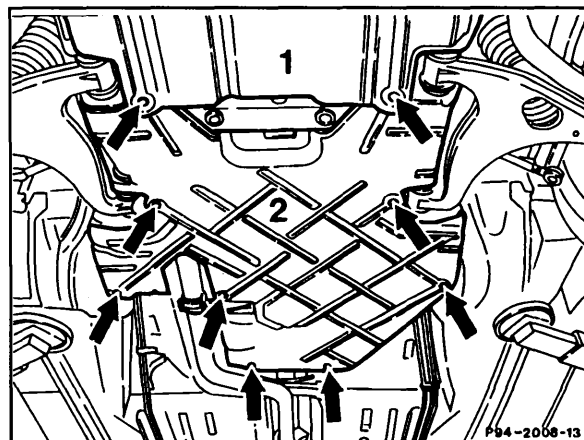
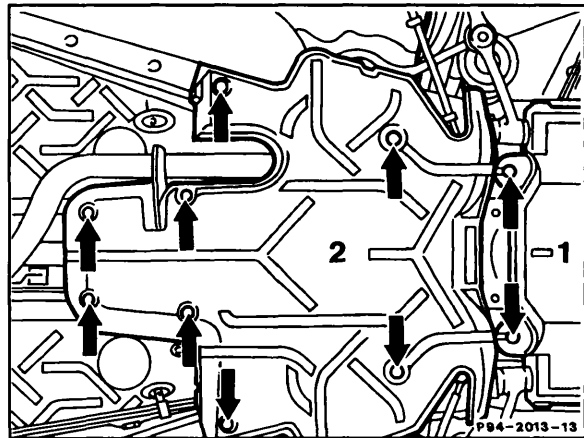
Removal

- Screw out small bolts (arrows) and remove noise encapsulation panel (2) toward rear.



Installation

- Insert rear noise encapsulation panel (2) between front axle cross member and front noise encapsulation panel (1).
- Bolt lower noise encapsulation panel (1) in place.



Model 201.1