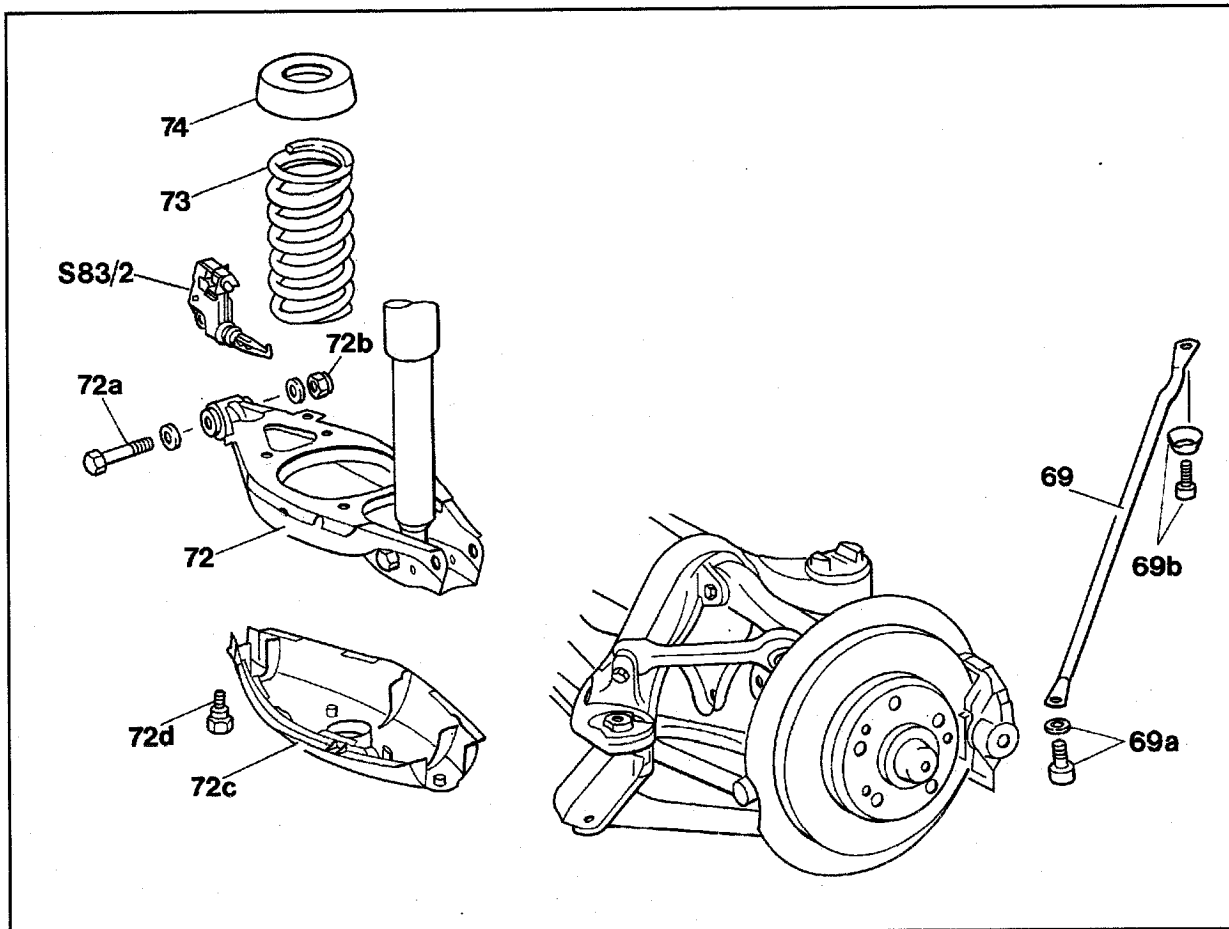


32-230 Removing and installing rear springs



P32-5242-57A

- Vehicle
- To remove the left rear spring on model 124.06 (convertible)
- Rear axle switch for roll-over bar on model 124.06 (convertible): (S83/2 and S83/3)
- Hex. head bolts (72d)
- Cover (72c)
- Tensioning plates

lift, lower.

unscrew bolt (69a, 69b), replace, 120 Nm.
Remove cross strut (69), install.

remove, install (observe item 1).

unscrew, tighten.

remove, install.

install, remove (items 3, 4, 66, 11).



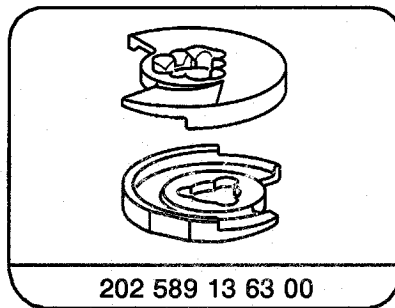
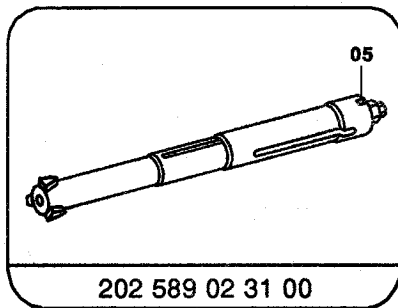
When lifting ensure that vehicle does not lift off of the contact surfaces on the lifting platform.

Accident hazard!

32.0701 - 230/1

Spring link (72)	lift until rear axle shaft is approximately in horizontal position (item 5).
Spring compressor	install, arrest and remove (item 6).
Rear spring (73)	compress, release (item 7, 12).
Spring link (72)	unscrew from axle carrier, screw on (item 8). Replace self-locking nut (72b), 70 Nm.
Rear spring (73)	remove together with rubber mount (74), install. When installing, clean rear spring mount in spring link and ensure that spring is seated properly (item 10 - 14).
Vehicle level	check at rear axle (40-0300).
Headlamps	readjust (82-1130).

Special tools



Note

The rear shock absorbers serve simultaneously as the rebound stop for the rear wheels. For this reason loosen shock absorber mounts only when the vehicle is standing on the wheels, the wishbone is supported or the spring compressor is installed.



When removing the shock absorbers with the vehicle lifted and no load on the half axle while loosening the top mount ensure that the shock absorber tube does not turn. Since the rebound stop in the shock absorber rests against the working piston in this state, the mount for the working piston could loosen together with the piston rod. The gas pressure would then cause the piston rod to extend suddenly and the oil in the shock absorber to squirt out (**accident hazard**).

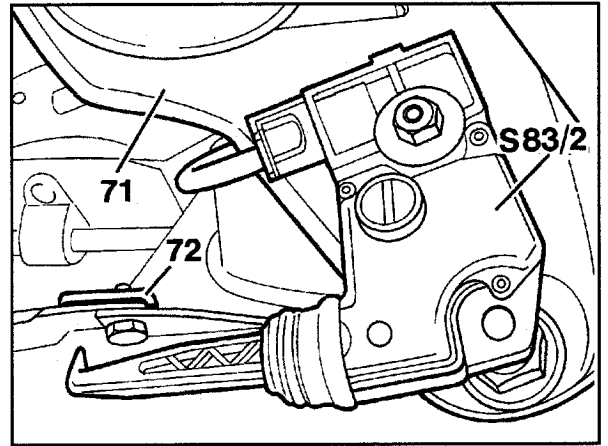
Removal

- 1 Lift vehicle at rear.

Model 124.06 (convertible):

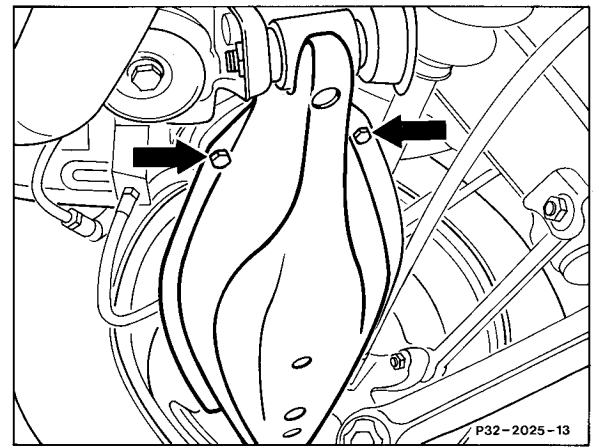
Remove rear axle switches for roll-over bar (S83/2 and S83/3). When installing adjust rear axle switches (91-860).

To remove the left rear spring unscrew bolt (69a, 69b) and remove cross strut (69), replace self-locking bolt, 120 Nm.



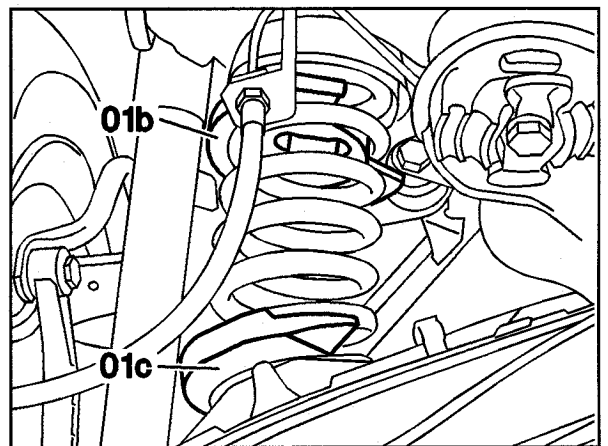
P32-5536-13

- 2 Unscrew hex. head bolts for spring link cover and remove cover (arrows).



P32-2025-13

- 3 Install top tensioning plate (01b) below rubber mount.
- 4 Install bottom tensioning plate (01c) so that 4 to 5 spring coils can be compressed.

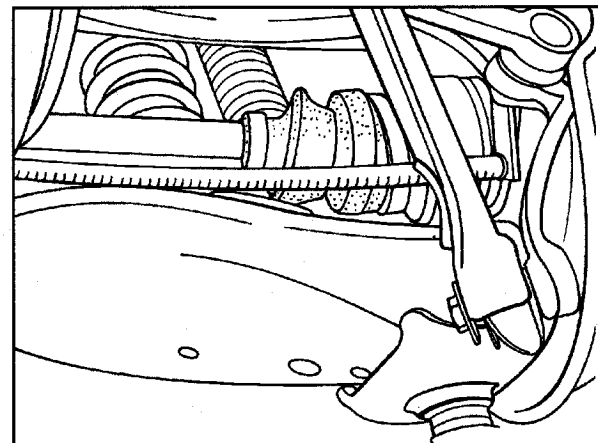


P32-5688-13



When lifting ensure that the vehicle does not lift off of the contact surfaces on the lifting platform.
Accident hazard!

- 5 Lift rear half axle with jack or pit lift until rear half axle is approximately in horizontal position.

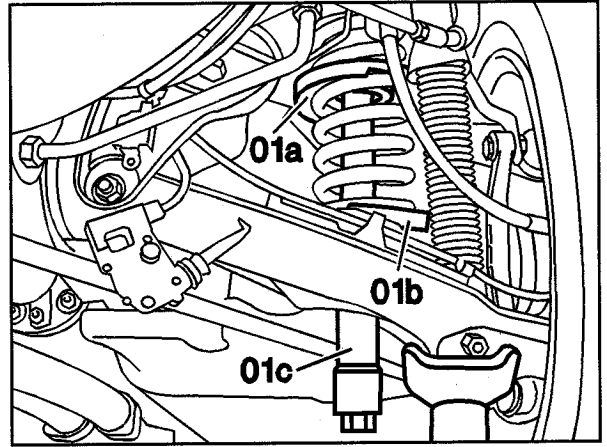


P35-5480-13

32.0701 - 230/3

6 Insert spring compressor through spring link into tensioning plates from below and arrest in top tensioning plate by turning.

Figure as example
01a Spring compressor
01b Top tensioning plate
01c Bottom tensioning plate

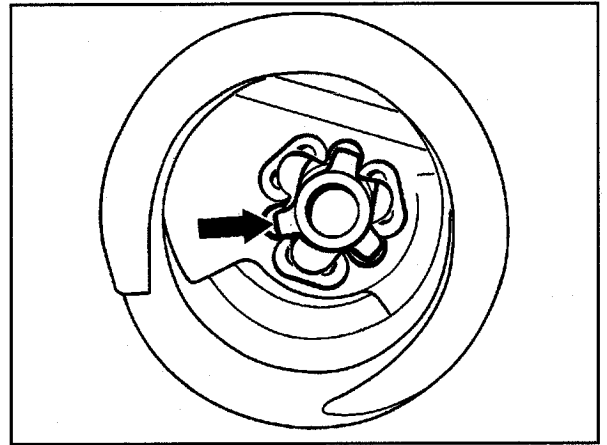


P32-5690-13



Ensure that spring compressor is properly arrested in top tensioning plate.
Do not use impact wrench to compress rear springs. **Accident hazard!**

7 Tension spring only to the point that it no longer presses against the spring link.



P32-5020-13

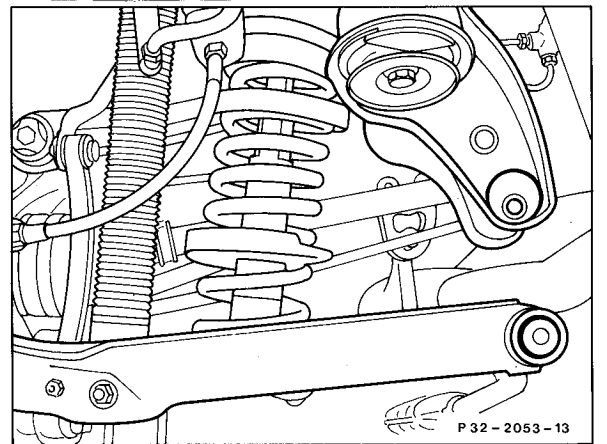
8 Screw spring link off of rear axle carrier.

Installation note

Tighten spring link on rear axle only when vehicle is standing on wheels or the half axle is lifted to the designed position while ensuring that the vehicle is not lifted off of the contact surfaces on the lifting platform.

Replace self-locking nut, 70 Nm.

9 Lower spring link.

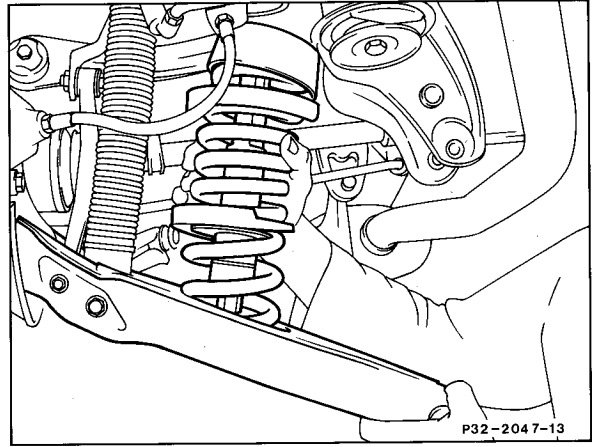


P 32 - 2053 - 13

10 Remove rear spring with rubber mount.

Installation note

Clean rear spring mount in spring link and ensure that spring is seated properly.

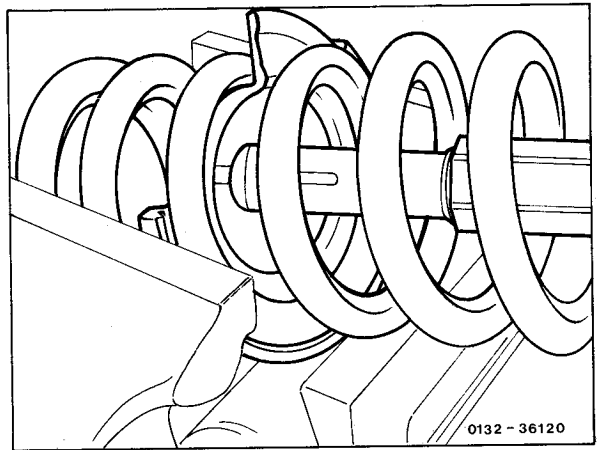


11 Clamp top tensioning plate in vice on flat spots.

12 Release tension on rear spring.

Note

Before releasing the tension on the rear spring mark the position of the tensioning plates in relation to the spring coils with marking chalk.

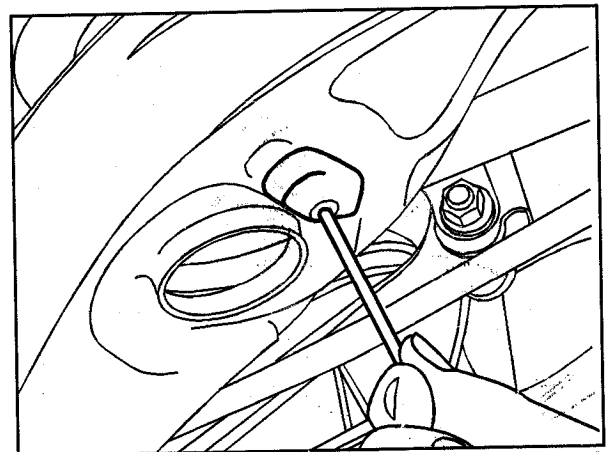


Installation

13 Position rubber mount on rear spring with turning motion. Use installation paste to install rubber mount.

14 Position rear spring so that end of coil is positioned in impression in spring link.

Check end of spring with 3 mm dia. wire.



15 Continue to reinstall in opposite order.

16 Check vehicle level at rear axle (40-0300).

17 Adjust headlamps (82-1130).