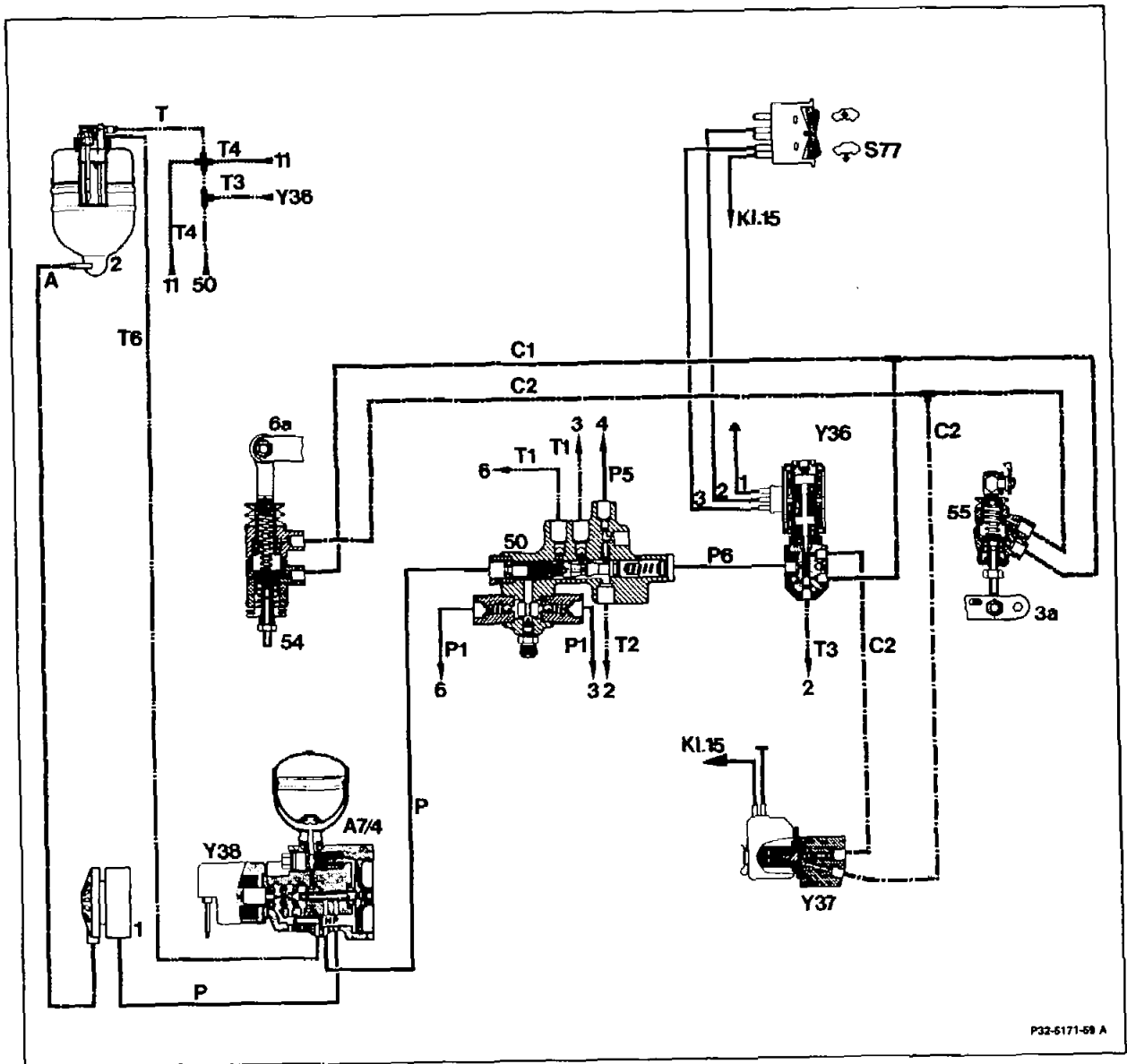


**32-0580 Testing function of electrical check valve  
(models 201.034/035/036)**



**A. Testing electrical activation**

- |                  |   |
|------------------|---|
| 2-pin plug ..... | Disconnect, connect at level adjustment check valve (Y37).          |
| Multimeter ..... | Connect, disconnect positive to jack 2, negative to jack 1.         |
| Ignition .....   | Switch on, switch off. Multimeter display approx. 11-14 V (step 3). |

**B. Function test**

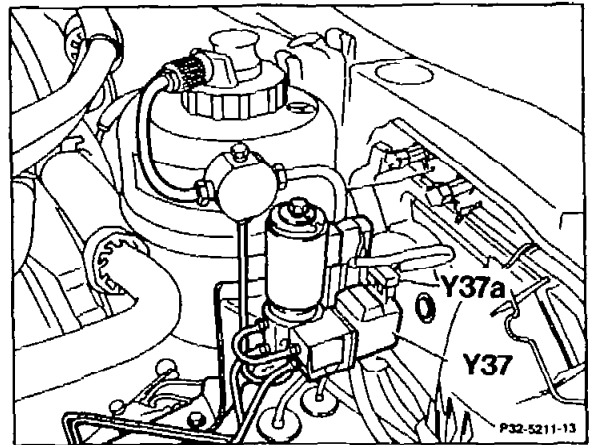
- Engine ..... Start, switch off.
- Level adjustment switch (S77) ..... In "raised level" position. The control rods must shorten by approx. 10 mm on the front axle and approx. 7 mm on the rear axle (step 8).
- Engine ..... Switch off. The control rods must not extend when the ignition is switched off. Refer to note under step 9.

**Commercially available tools and testers, MB testers (see Workshop Equipment Manual)**

Multimeter	Fluke 23 DB, 83, 88 ITT Metrix MX 47, 50, 51, 52
------------	---

**A. Testing electrical activation**

- 1 Disconnect 2-pin plug (Y37a) from level adjustment check valve (Y37).
- 2 Connect multimeter positive to jack 2, negative to jack 1.
- 3 Switch on ignition.  
Multimeter display approx. 11-14 V. If the measurement is significantly lower than 11 V, test cables and electrical connections in accordance with the wiring diagram.
- 4 Switch off ignition.
- 5 Disconnect multimeter.
- 6 Connect 2-pin plug (Y37a) to level adjustment check valve (Y37).



## B. Function test

7 Start engine and run at idle.

8 Level adjustment switch (S77) in "raised level" position. The control rods must shorten by approx. 10 mm on the front axle and approx. 7 mm on the rear axle.

9 Switch off engine.

### Note

The control rods must not extend. If the control rods extend when the ignition is switched off, replace the level adjustment check valve (32-0700).

10 Switch on ignition.

11 Level adjustment switch (S77) in "normal level" position. The control rods must extend by approx. 10 mm on the front axle and approx. 7 mm on the rear axle. 7mm verlängern.

12 Switch off ignition.

