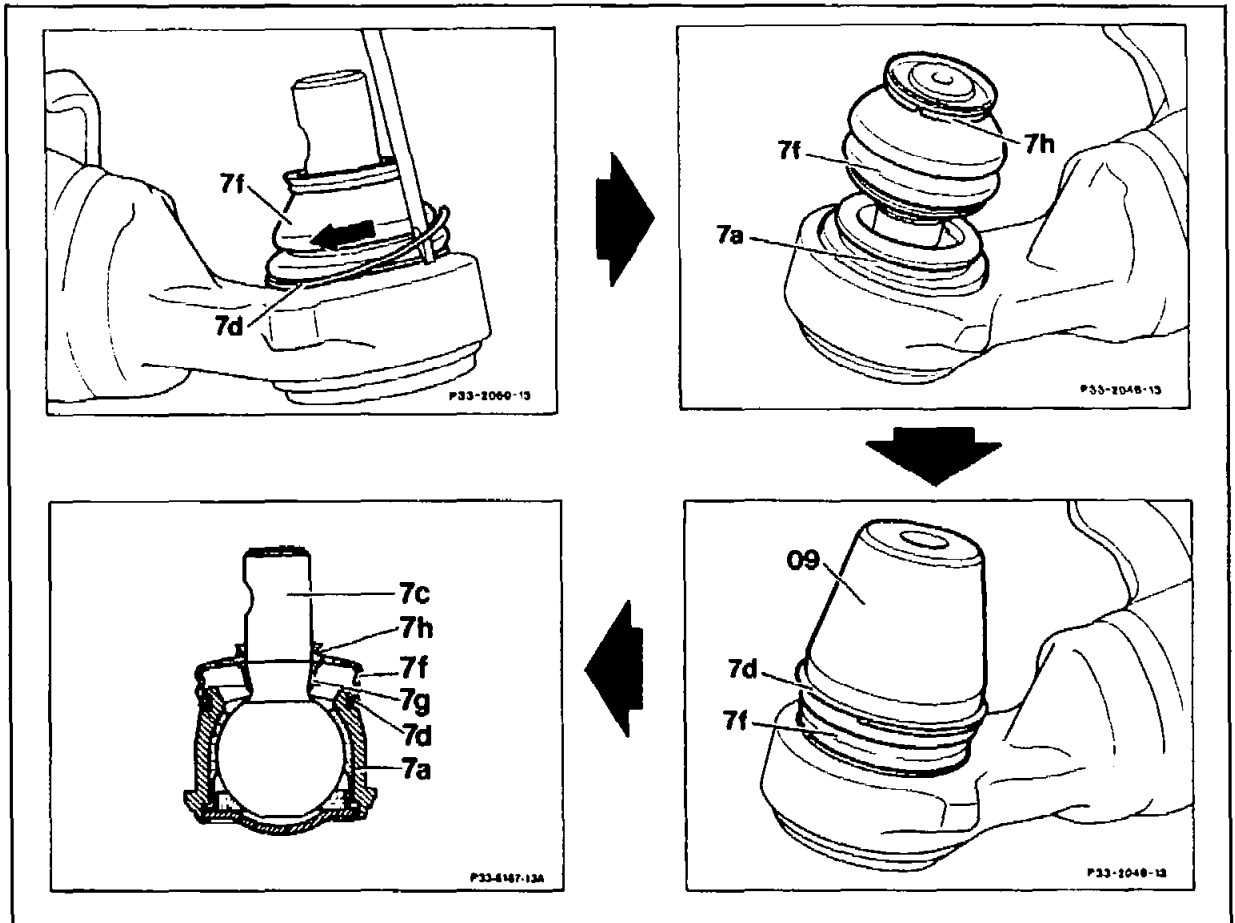


## 33-0430 Replacing boot for supporting joint of steering knuckle mounting

Preceding work:  
Removing and installing control arm (33-0510)



P33-5115-57

Wire clamping ring (7d) ..... Remove, install.

### Installation note

Push wire clamping ring (7d) onto assembly sleeve (09) 201 589 03 14 00 until it reaches the cylindrical part of the sleeve.

Place assembly sleeve (09) on supporting joint and push wire clamping ring (7d) onto boot (7f).

Remove, install.

Boot (7f) .....

### Installation note

Push new boot (7f) onto housing (7a) with wire clamping ring (7h) in position.

Support ring (7g) .....

Replace.

**Note**

Check joint of supporting joint. If there is play, the supporting joint or the control arm must be replaced. Check rubber boot (7f). **If the rubber boot is damaged, the joint affected must be replaced.**

If the rubber boot (7f) is damaged during removal, it is sufficient to replace just the rubber boot.

**Special tool**

