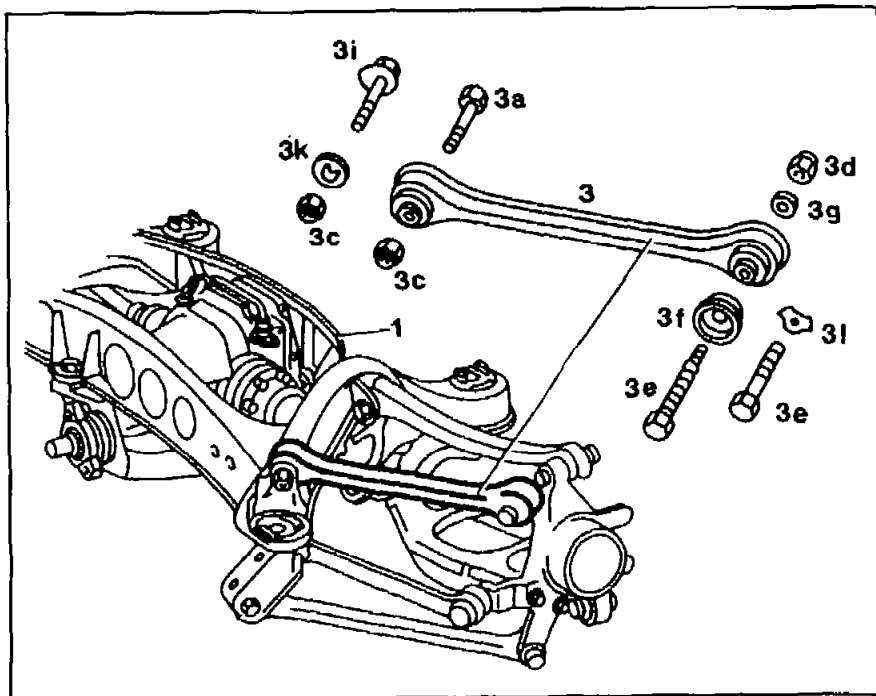


## 35-111 Removal and Installation of torque strut

Preceding work:  
Remove, install wheels 40-110.

Operation no. of operation texts and work units  
or standard texts and flat rates:  
35-0047 35-0048 35-0049



P35-5484-35

### Note

On vehicles up to 03/86, the position of the eccentric bolt (3i) must be marked in relation to the rear axle bracket before the hexagon nut is loosened. Remove hexagon nut (3c) and eccentric disk (3k), replace (number 1).

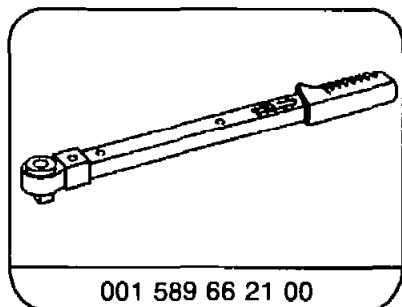
As of 04/86, the eccentric adjustment has been dispensed with, due to rationalization.

Torque strut (3) on rear axle bracket . . . . .

Loosen, replace, tighten self-locking hexagon nut (3c). 70 Nm or 50 Nm when using the special ring wrench 201 589 00 03 00. Remove hexagon bolt (3a). Only tighten when rear axle shaft is in horizontal position. On vehicles up to 03/86, the markings of the eccentric bolt of rear axle bracket must be noted (number 2). Torque wrench 001 589 66 21 00.

Torque strut (3) on wheel carrier . . . . .	Loosen, tighten self-locking hexagon nut (3d). Remove hexagon bolt (3e), shaped washer (3f, 3l up to 03/86 or 3i) and remove washer (3g). If fitted, press tensioning sleeve out of wheel carrier (up to 08/86). Replace self-locking hexagon nut (3d), M10 x 1 = 45 Nm, M12 x 1.5 = 70 Nm. (numbers 3, 4, 4a). Only tighten self-locking hexagon nut when rear axle shaft is horizontal. Torque wrench 001 589 66 21 00 Special ring wrench 201 589 00 03 00.
Inclination of wheel carrier and toe-in . . . . .	Check, on vehicles up to 03/86 (number 6).
Torque strut rubber mount . . . . .	Check, replace torque strut complete in event of damage.

**Special tools**

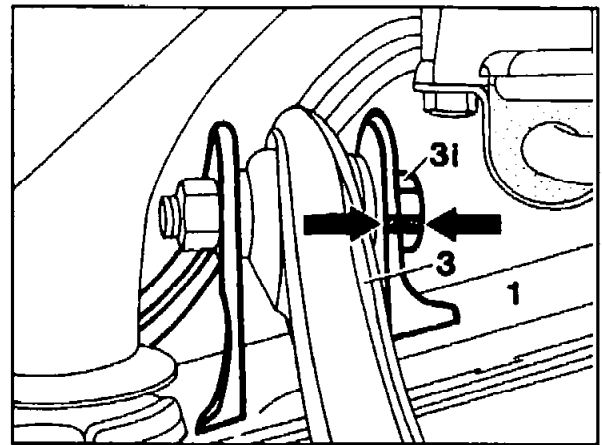


**Note**

The rubber mounts of the torque strut are not to be replaced individually. The torque strut is only available as a special part with rubber mount. The torque strut can be removed or installed when the rear axle is installed.

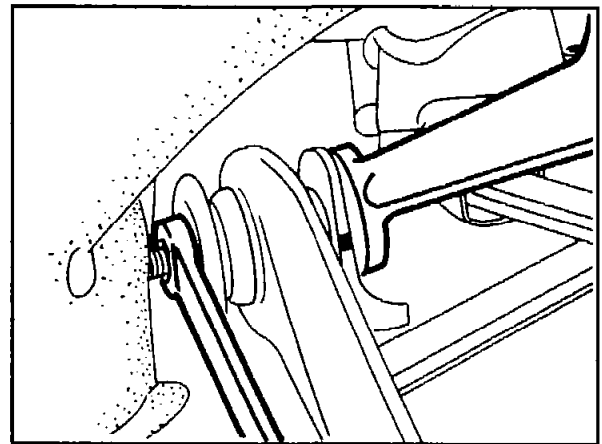
## Removal, installation

1 On vehicles up to 03/86, the position of the eccentric bolt (3i) to the rear axle bracket (1) must be marked (arrows).



P35-5485-13

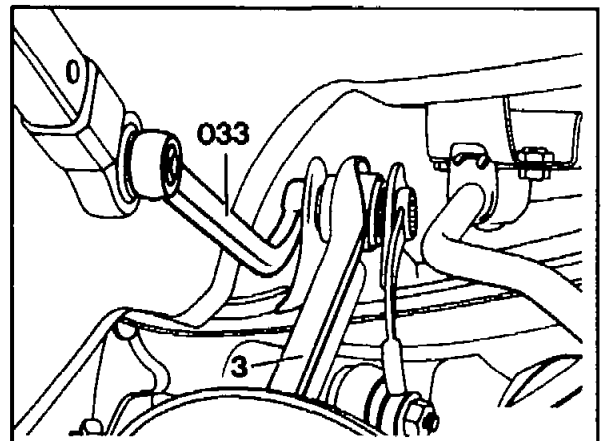
2 Unscrew self-locking hexagon nut on rear axle bracket. Press wheel carrier forwards, release load. Remove hexagon bolt or eccentric bolt with eccentric washer and hexagon nut.



P35-5599-13

## Installation note

Replace self-locking hexagon nut. Before tightening, the rear axle shaft should be horizontal. On vehicles with eccentric bolt, it should be ensured that the markings of the eccentric bolt to the rear axle bracket align. Tightening torque 70 Nm or 50 Nm when using the special ring wrench (033) 201 589 00 03 00. Torque wrench 001 589 66 21 00

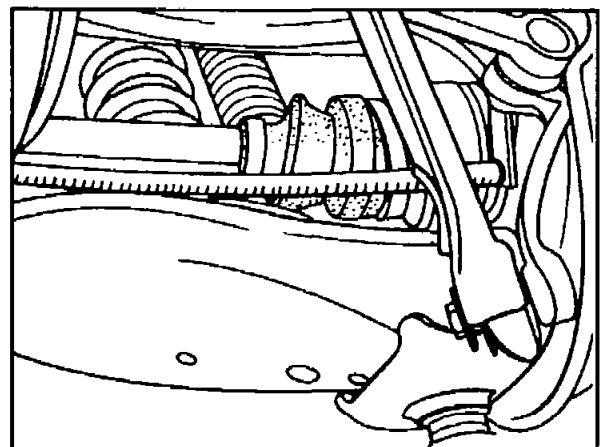


P35-2009-13



When raising one side, ensure that the vehicle does not lift off the supporting surface of the hoist - risk of accident.

If necessary, load up the trunk.



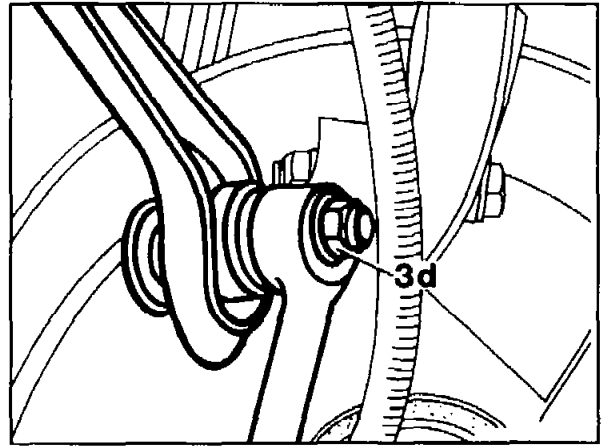
P35-5480-13

3 Unscrew self-locking hexagon nut (3d) on wheel carrier and remove with washer.

**Installation note**

Replace hexagon nut. Tighten when rear axle shaft is horizontal, refer to table for tightening torques.

Torque wrench 001 589 66 21 00.

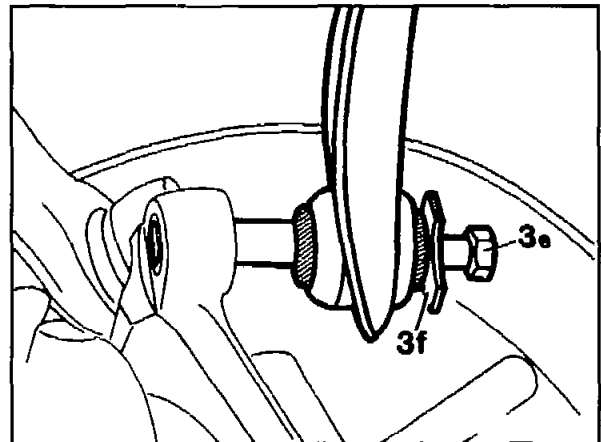


P35-5488-13

**Tightening torques**

Model	Hexagon bolt M10 × 1	Hexagon bolt M12 × 1.5
201 up to 08/86 except 201.03	45 Nm	-
Model 201.03	-	70 Nm
Model 124 and 201 as of 09/86	-	70 Nm

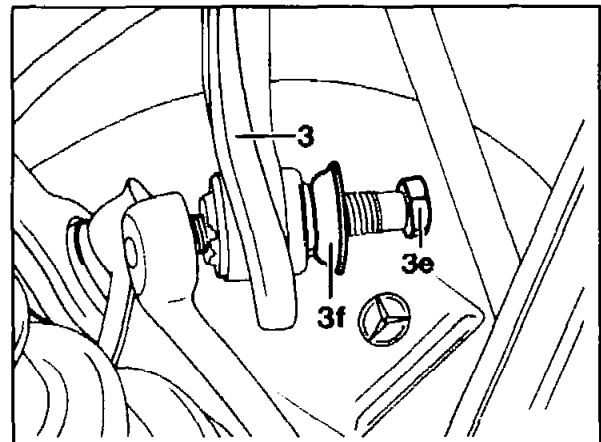
4 Remove hexagon bolt (3e) with shaped washer (3f) and press torque strut with tensioning sleeve out of wheel carrier.



P35-5598-13

1st version up to 08/86

4a Press hexagon bolt (3e) forwards out of wheel carrier and remove complete with torque strut. Remove hexagon bolt (3e) and shaped washer (3f).



P35-2011-13

2nd version as of 09/86

5 On vehicles up to 03/86 with eccentric bolt, the inclination of the wheel carrier and the toe-in is to be checked.

#### **Checking**

In the event of damaged rubber mounts, replace torque strut complete.

6 Install in reverse sequence.