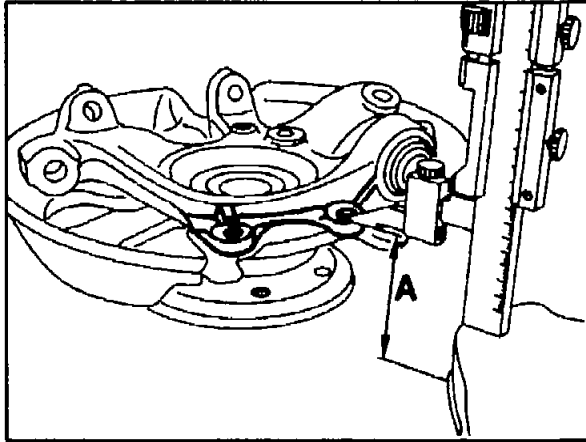


40-0425 Measuring wheel carrier

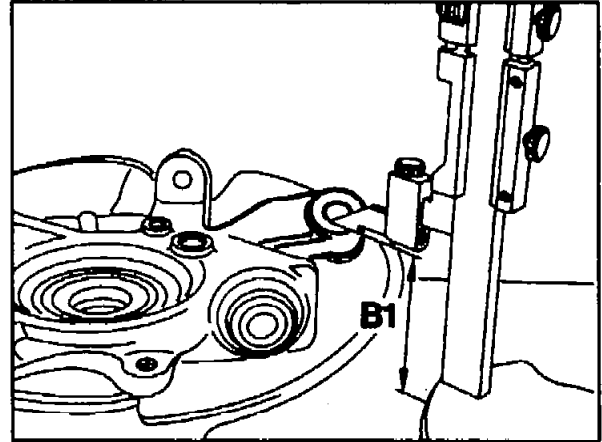
Preceding work:

Camber at rear axle checked (40-0331)

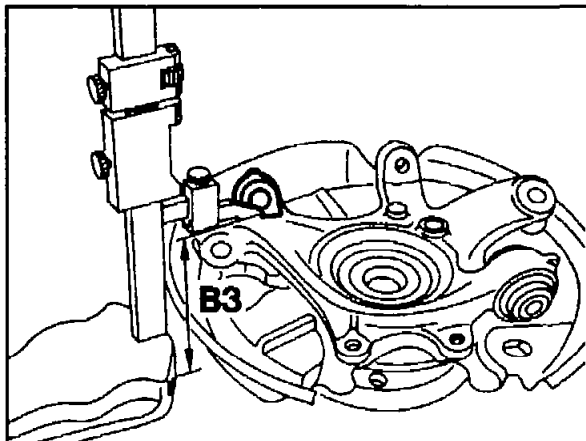
Toe-in at rear axle checked and adjusted (40-0332)



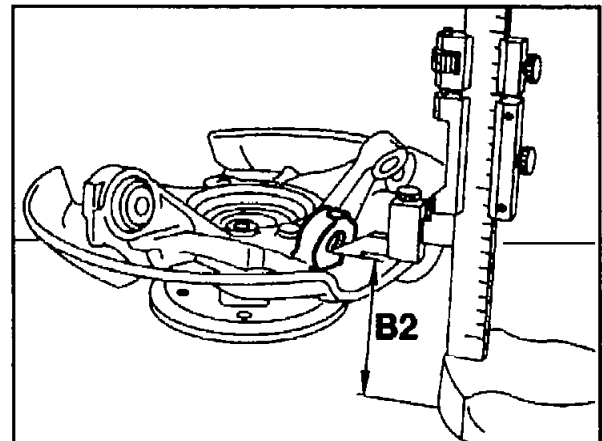
P40-5396-13



P40-5397-13



P40-5399-13



P40-5398-13

Wheel carrier

Height dimension "A"

Remove, install (refer to Repair Instructions for rear axle wheel location system 35-115).

Place wheel carrier on parallel supports for measurement with wheel hub or brake disk.

Scan using height measuring gauge as comparative dimension for height dimensions B₁ - B₃ from the flat surface of the brake caliper fixing and note e.g. 78.9 mm.

Height dimension B₁ - B₃ Scan at the lowest point of the respective hole and note.

To evaluate the wheel carrier, the actual dimension is to be compared with the specified dimension starting from the height dimension "A".

| Computation table in mm | | Specified dimension |
|--|--|---------------------|
| Height dimension "B ₁ " (thrust arm) | - height dimension "A" (brake caliper fixing) | 28.1 ± 1 |
| Height dimension "B ₂ " (track rod) | - height dimension "A" (brake caliper fixing) | 15.1 ± 1 |
| Height dimension "B ₃ " (camber strut) | - height dimension "A" (brake caliper fixing) | 41.2 ± 1 |

Note

If the value found deviates from one of the specified tolerance limits, the wheel carrier is to be replaced.

Commercially available tools or testers, MB testers (refer to Workshop Equipment Manual)

| | |
|---|--|
| Designation | e.g. Company, order no. |
| Height marking gauge, measuring range up to 500 mm | Stiefelmayer Esslingen Order no. 5V, size III |
| Parallel supports (2 off) | e.g. Stiefelmayer Esslingen Order no. 138, length 150 |