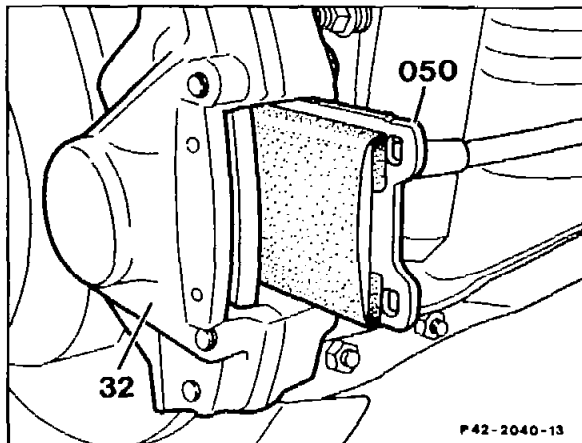
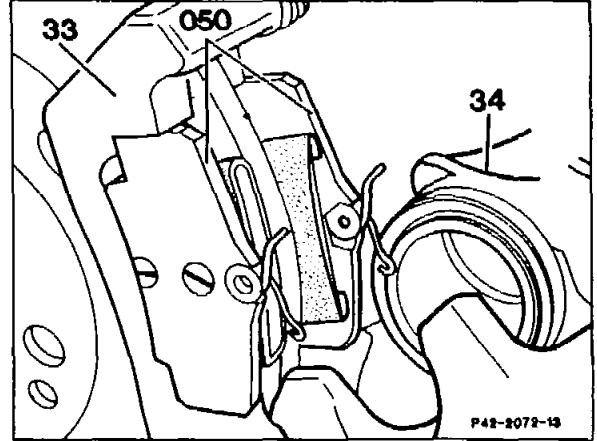
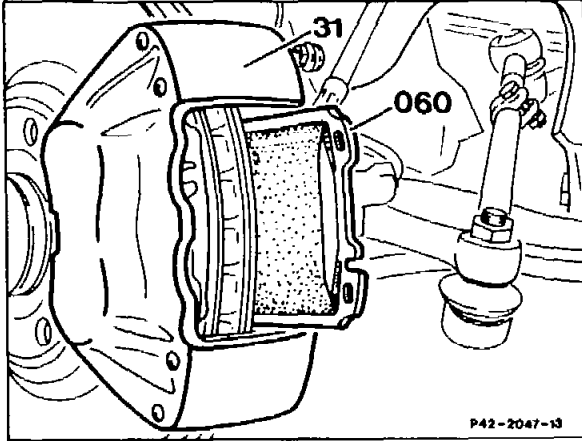


## 42-0260 Cleaning brake discs using cleaning pads

Preceding work:  
Removal of brake pads on front or rear axle (42-0160).

Operation no. of operation texts and work units or standard texts  
and flat rates:  
42-2737, 42-2767, 42-2797



### Front axle

Cleaning blocks (060 or 050) .....

129 589 00 28 00 = models 124, 201.036,  
124 589 00 28 00 = models 124, 201,  
201 589 00 28 00 = models 201.

install instead of brake pads in the 4-piston fixed  
caliper (31) or floating caliper (33). Observe  
Note on cleaning pads.

4-piston fixed caliper (31),  
Floating caliper (33),  
Floating caliper (33).

**Rear axle**

Cleaning blocks (050) .....  
124 589 01 28 00 = models 124, 201  
Brake discs .....

install instead of brake pads in the fixed caliper (32). Observe Note on cleaning pads.

Fixed caliper (32).

clean. For this purpose drive vehicle approx. 300 meters at a speed of 30 km/h while momentarily pressing the cleaning pads against the brake disc a number of times with light foot pressure, not jerky, of approx. 50 N on the brake pedal. Do not drive rear wheels with engine or other drive unit with car jacked up under any circumstances.



Optimum braking effect is not available.

After cleaning the brake discs install new brake pads.

**Note**

When cleaning brake discs while driving, assure that only one axle is equipped with cleaning pads. Dynamometers and brake testing stands are unsuitable due to the low speed and resulting insufficient cleaning effect.

**Note on cleaning pads**

It is no longer permissible to use cleaning pads with bottom plate containing asbestos. Dispose of such pads immediately and properly (see MBVD Environmental Protection Catalog, pages 2-36).

Use only asbestos-free cleaning pads (code next to part no.).

**Special tools**

