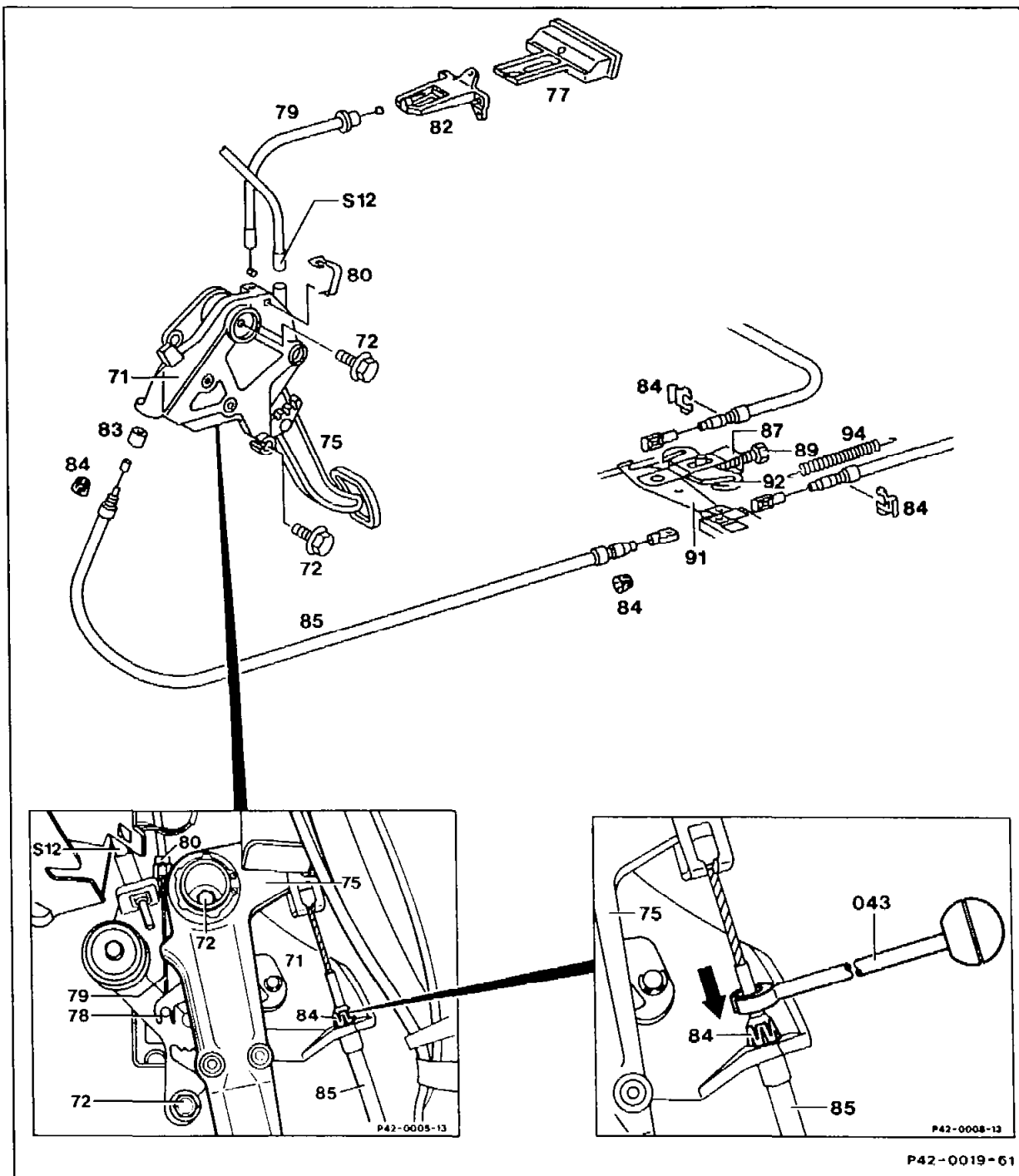


42-0520 Removal and installation of front brake control cable

Preceding work:
Remove accelerator pedal (30-0315).
Remove cover below instrument panel (68-0150)

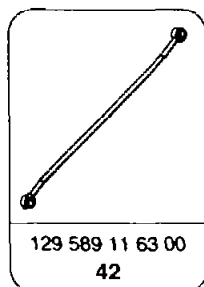
Operation no. of operation texts and work units or standard texts
and flat rates
42-5931

A. Model 124



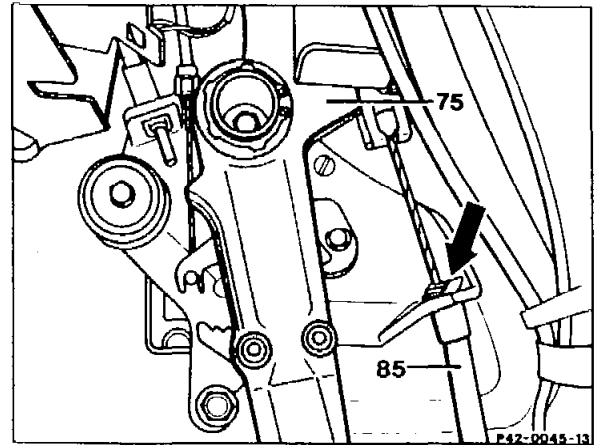
Heat shield for exhaust system	remove, install.
Return spring (94)	remove, install.
Adjustment screw (89)	screw back on adjustment bracket (87) and unscrew self-locking hexagon bolt on intermediate lever (91). Use new self-locking hexagon bolt when installing.
Ferrule (84b) on frame floor holder	press together with clip remover (043) 129 589 11 63 00 and pull out brake control cable (85). The brake control cable (85) can also be removed by breaking the ferrule (84b). Install new ferrule (84b) in slot in brake control cable (85). Observe Note on spring clip.
Door entrance strip	remove, install.
Trim on A-pillar	remove, install.
Carpeting	fold back to expose brake control cable (85).
Foot support	remove, install.
Mounting clips in footwell	loosen, tighten.
Brake cable (85)	unhook from pull lug on pedal (75), hook in.
Ferrule (84b) on pedal assembly (71)	press together with clip remover (043) 129 589 11 63 00, remove brake control cable (85) and pull down forward. When installing, ensure that ferrules (84b) are properly seated.
Parking brake	adjust after installing brake control cable (85) (42-0540).

Special tool



Note on spring clip

Model 124 with manufacturing date prior to June 1988 is still equipped with a brake cable (85) secured to the pedal (75) with spring clips (arrow) instead of ferrules. The clip remover 129 589 11 63 00 cannot be used on this version. The spring clip can be removed and installed with a suitable screwdriver.



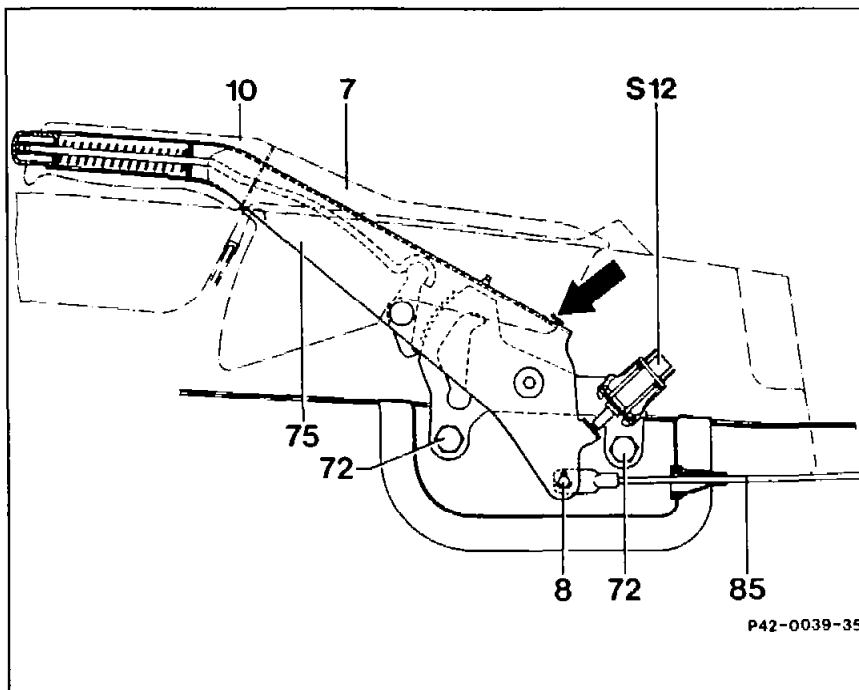
75 Pedal
85 Brake cable

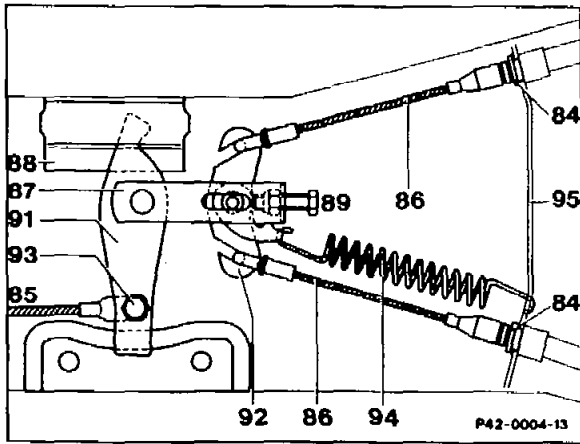
B. Model 201

Preceding work:

Remove center console (68-0200).
Remove, install exhaust heat shield.

Operation no. of operation texts and work units or standard texts
and flat rates
42-5931





Return spring (94)	unhook on cable swivel (92), hook in.
Bolts (93)	screw out, screw in and replace, remove brake control cable (85).
Collar pin (8)	remove and remove brake cable (85) together with grommet (16). When installing assure that collar pin (8) is secure carefully with cotter pin.
Parking brake	adjust after repair (42-0540).