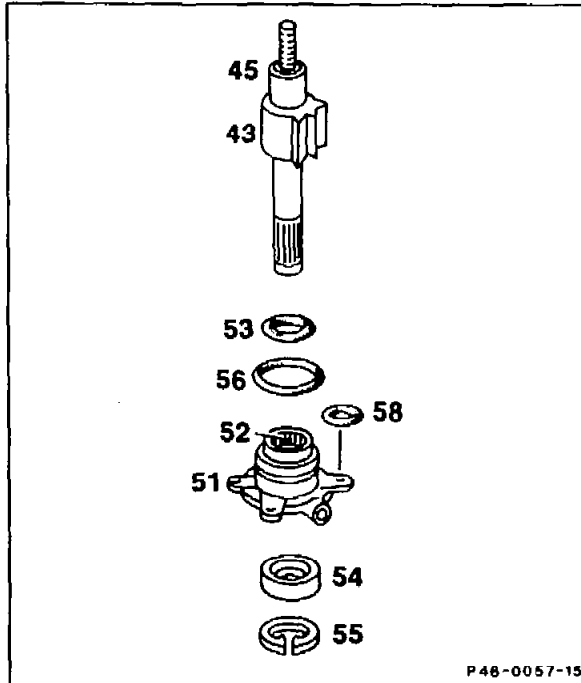


46-0233 Disassembling and assembling pitman arm shaft/bearing cover

Preceding work:

Removing and installing steering gear (46-3400)

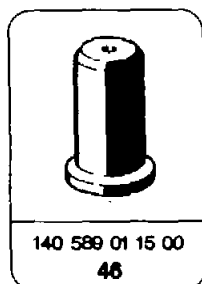
Removing, installing and checking bearing cover with pitman arm shaft (46-0232)



P46-0057-15

- | | |
|-------------------------------------------|----------------------------------------------------------------------------------------------------------------------------------------------|
| Pitman arm shaft/bearing cover (51) | remove from pitman arm shaft (43); when fitting on, ensure that the radial seal ring (54) is not damaged (number 1). |
| Locking ring (55) | remove, install (number 2). |
| Radial seal ring (54) | press out with screwdriver. Press in new radial seal ring (54) with mandrel 140 589 00 15 00 as far as the stop (number 3). |
| O-rings (53, 56, 58) | check, replace if necessary (number 4). |
| Needle sleeve (52) | examine for signs of wear and damage, replace pitman arm shaft/bearing cover (51) together with needle sleeve (52), if necessary (number 5). |

Special tool

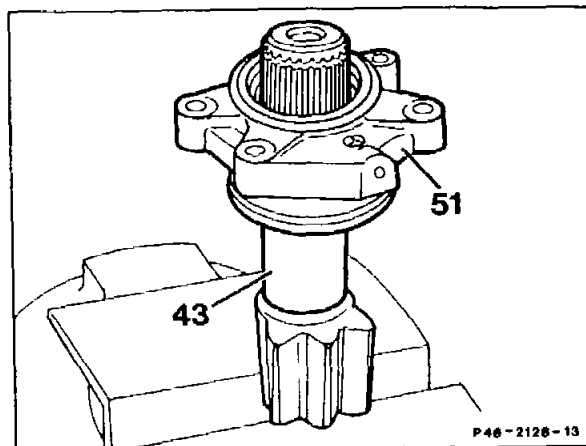


Disassembling and assembling

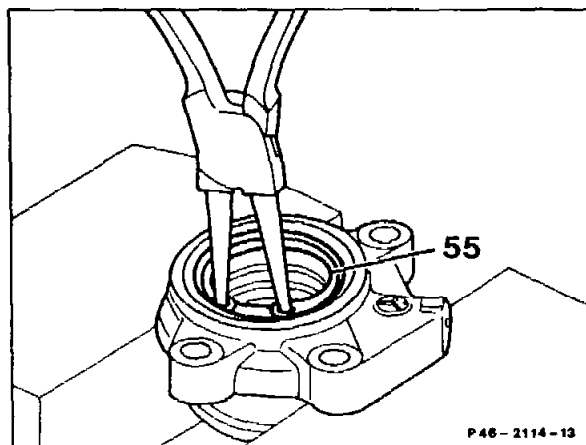
1 Take pitman arm shaft/bearing cover (51) off the pitman arm shaft (43).



When fitting on, ensure that the new radial seal ring on the teeth of the pitman arm shaft is not damaged.



2 Remove locking ring (55) from the pitman arm shaft/bearing cover.

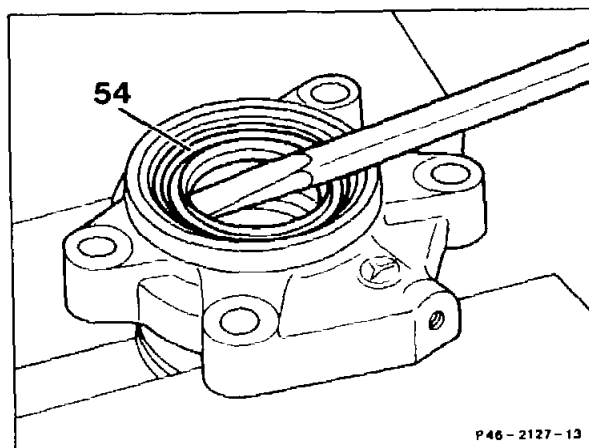


3 Press radial seal ring (54) out of the pitman arm shaft/bearing cover with a screwdriver.

Installation instruction

Press new radial seal ring into the pitman arm shaft/bearing cover with mandrel

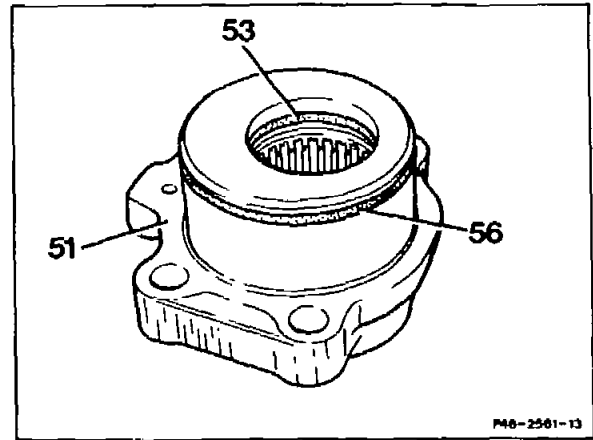
140 589 01 15 00, apply a light coating of universal grease to the sealing lip and insert locking ring (55).



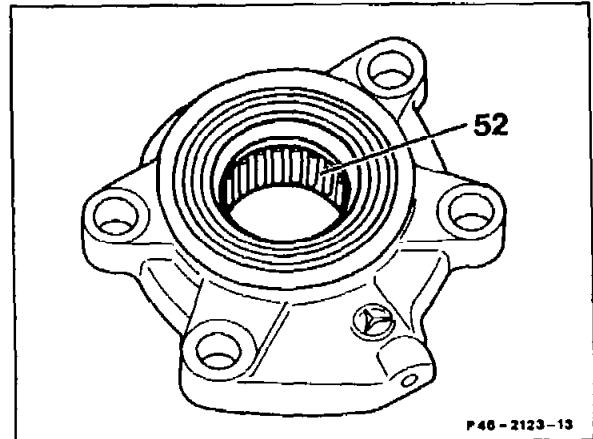
4 Take O-rings or Teflon ring (53 and 56) out of the pitman arm shaft/bearing cover (51); check, replace if necessary.

Installation note

Insert O-rings or Teflon rings (53 and 56) into the pitman arm shaft/bearing cover.



5 Examine needle sleeve (52) in pitman arm shaft/bearing cover for signs of wear. If the needle sleeve (52) is worn, replace pitman arm shaft/bearing cover complete.



6 Examine pitman arm shaft (43) at the tooth segment and at the bearing points for signs of damage and wear as well as for twist (detectable from displaced teeth).

