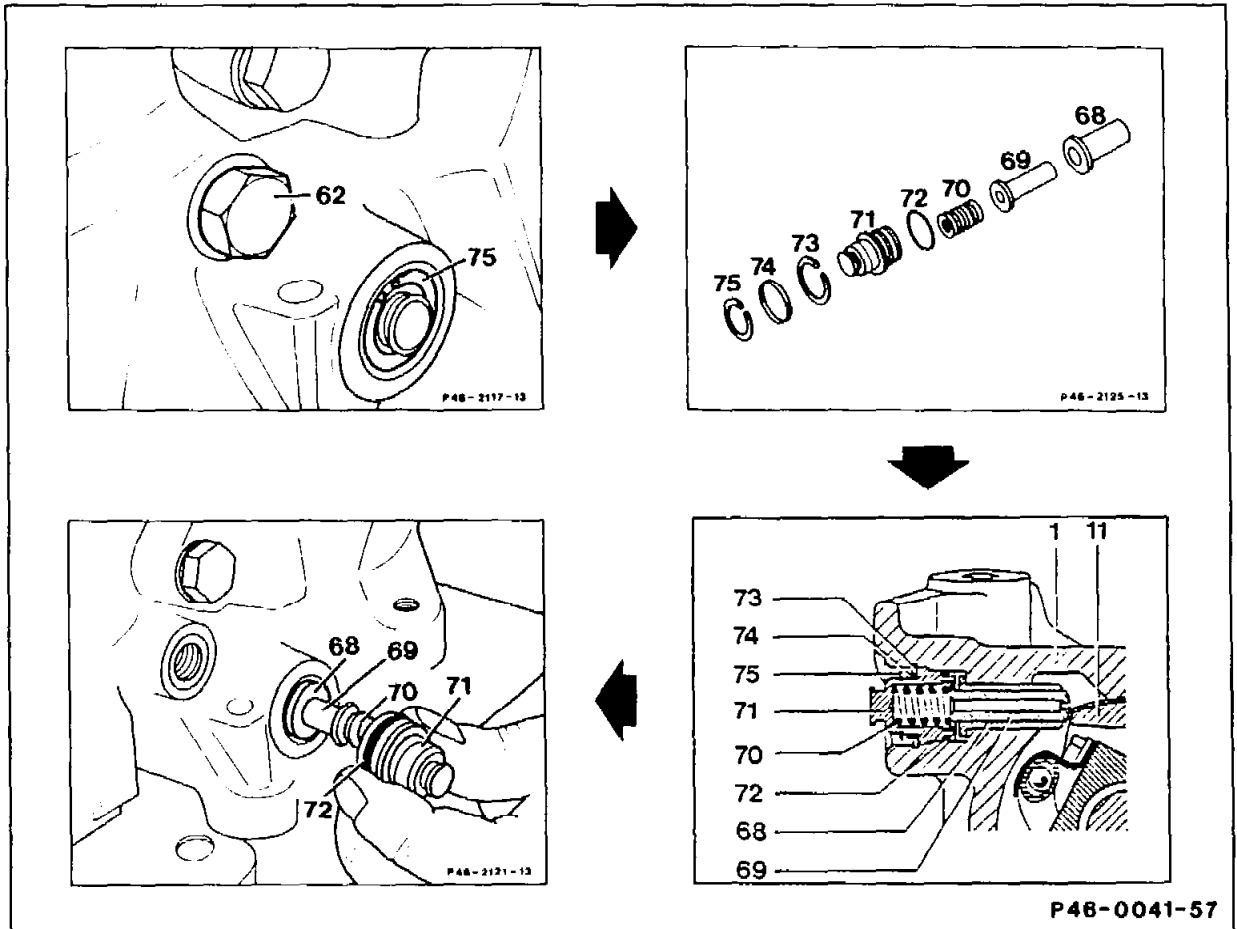


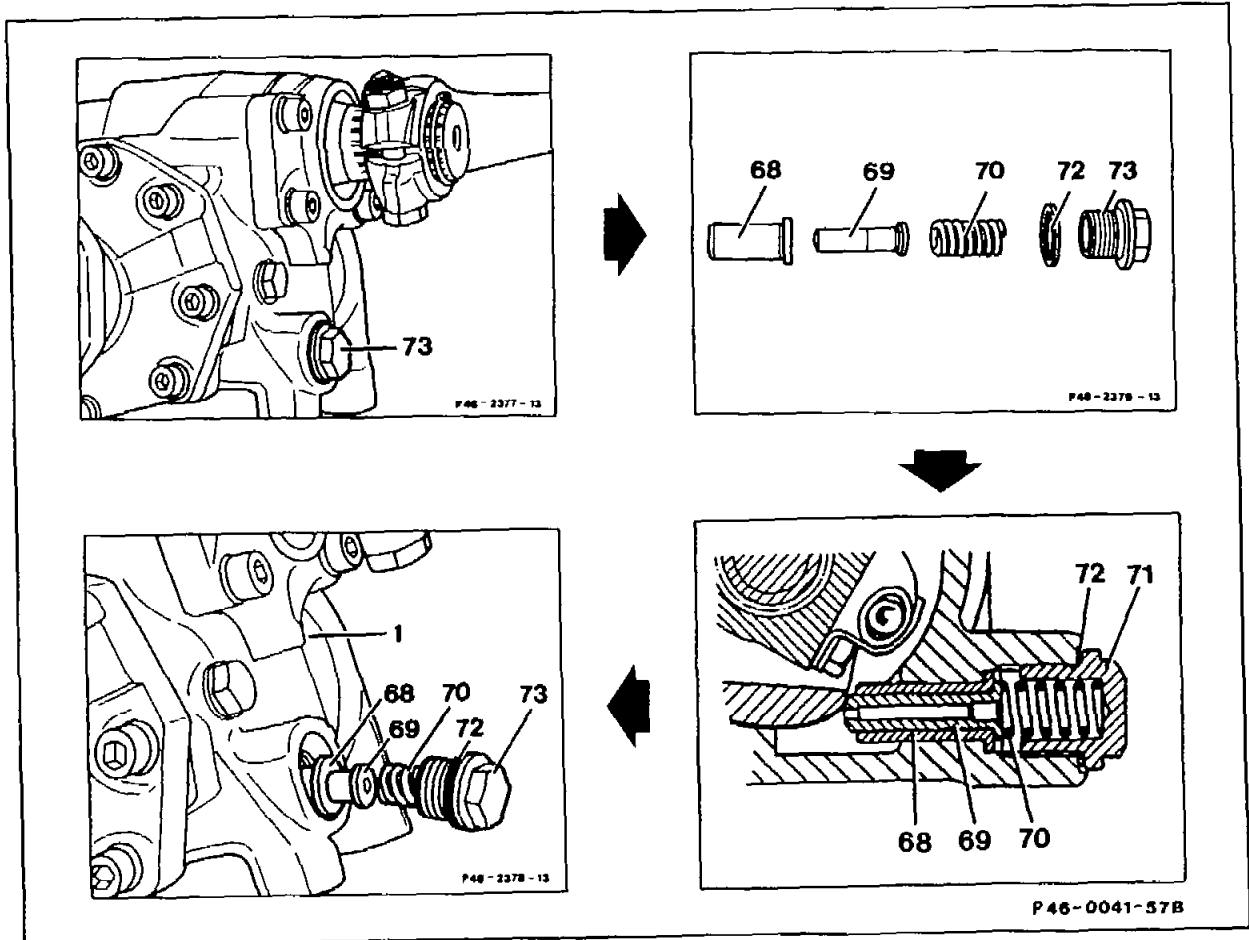
**A. Version with end cover,
models 124 (except 124.034/036) and 201**



- | | |
|---|---|
| Screw plug (62) | unscrew, screw in for center position (35-40 Nm). Rotate steering worm until the power piston is approximately at left or right lock. |
| Locking ring (75), thrust ring (74), locking ring (73) | remove. When installing, ensure the locking rings are correctly seated. |
| End cover (71), spring (70), spring pin (69), bush (68) | remove from steering gear housing. |
| O-ring (72) | replace on end cover (71). |

- | | |
|-------------------------------|--|
| Compression spring (70) | measure length. Minimum length 19 ± 0.5 mm; replace compression spring if length is less than minimum. |
| Spring pin (69) | examine for signs of wear, replace if necessary. |

B. Version with screw plug, model 129

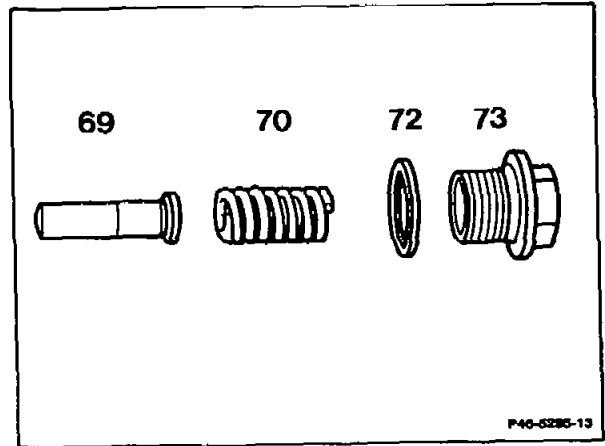
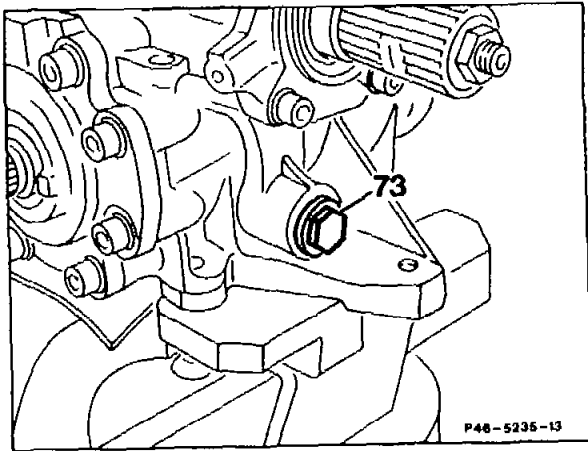


- | | |
|--|--|
| Screw plug (73) | unscrew, screw in, 50 ± 5 Nm, replace seal (72). |
| Compression spring (70), spring pin (69) and bush (68) | remove from steering gear housing, insert. |
| Compression spring (70) | check. |
| Spring pin (69) | examine for signs of wear, replace, if necessary. |

Note

The play compensator is only effective in the center area of the steering gear. If a complaint is received about excessive steering play, the steering gear should be re-set (46-0120).

C. Version with screw plug, models 124.034/036, 140 and 202



- | | |
|--|--|
| Screw plug (73) | unscrew, screw in, 50 ± 5 Nm, replace seal (72). |
| Compression spring (70), spring pin (69) | remove in turn from steering gear housing, insert. |
| Compression spring (70) | check. |
| Spring pin (69) | examine for signs of wear, replace, if necessary. |

Note

The play compensator is only effective in the center area of the steering gear. If a complaint is received about excessive steering play, the steering gear should be re-set (46-0120).