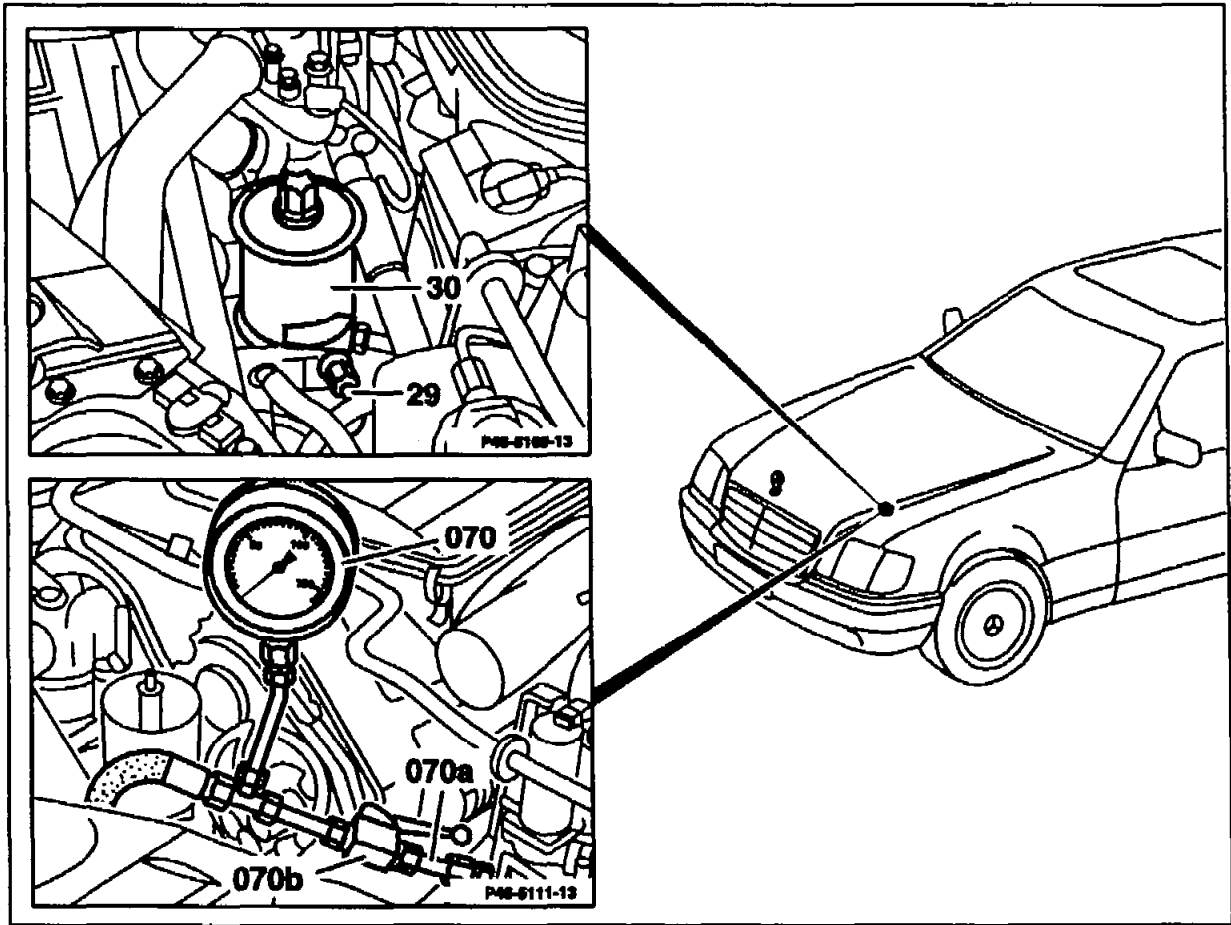


46-3070 Testing oil pressure of power steering pump



P46-5110-57

Power steering pump (30)

Extract oil with extraction device
112 589 00 72 00.

High pressure expanding hose (29)

Unscrew, screw on, 25-30 Nm.



On vehicles with tandem pump the tester must **not** be connected to the radial piston pump.

Tester (070)

Connect to power steering pump (30).
Use connector (070a) 124 589 19 63 00 or
140 589 17 63 00.
Fill supply tank with steering gear oil
000 989 88 03.

Engine on (idle)

Operating pressure Test with closed throttle valve (070b), maintaining engine speed at approx. 1000 rpm.
(Refer to 46-0002 for pressure values)



Only perform test for a short time, so that the oil temperature does not rise excessively

If the power steering pump does not reach the specified pressure, it must be replaced.

Power steering pump (30) Fill after the pressure testing, bleed and check for leaks (46-4080).

Types of oil, filling quantities

Steering gear oil part no. 000 989 88 03

Refer to Specifications for Service Products, sheet 236.3.

Special tools

