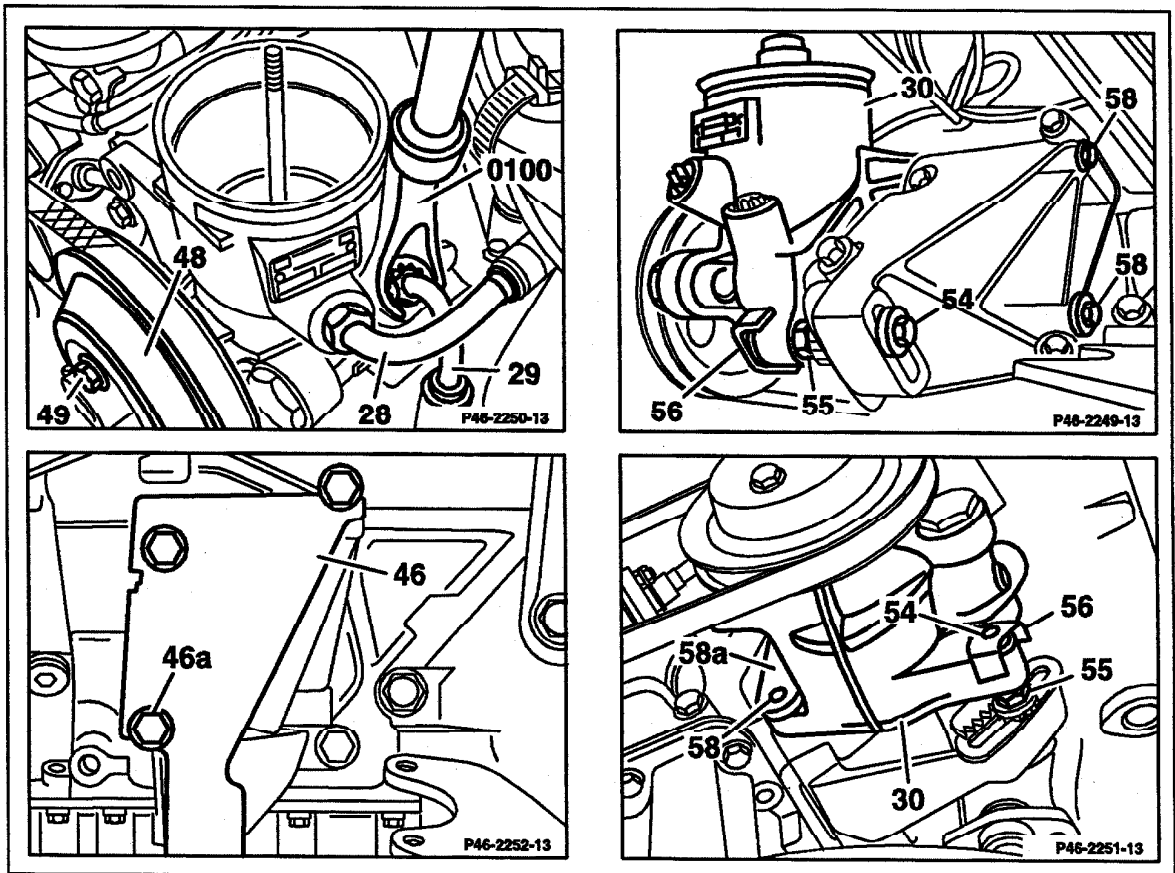


A. Model 201 with 4-cylinder engine up to 09/84 (V-belt drive)

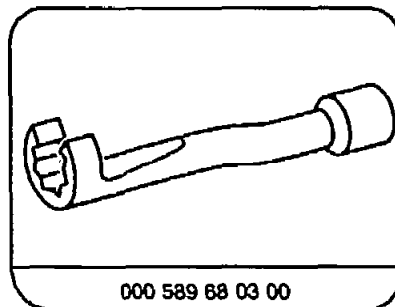
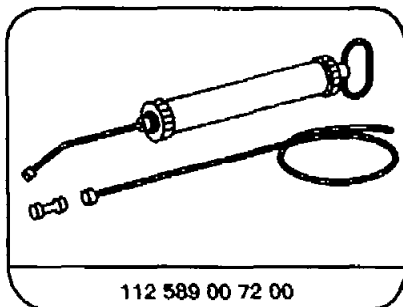


P46-0111-57

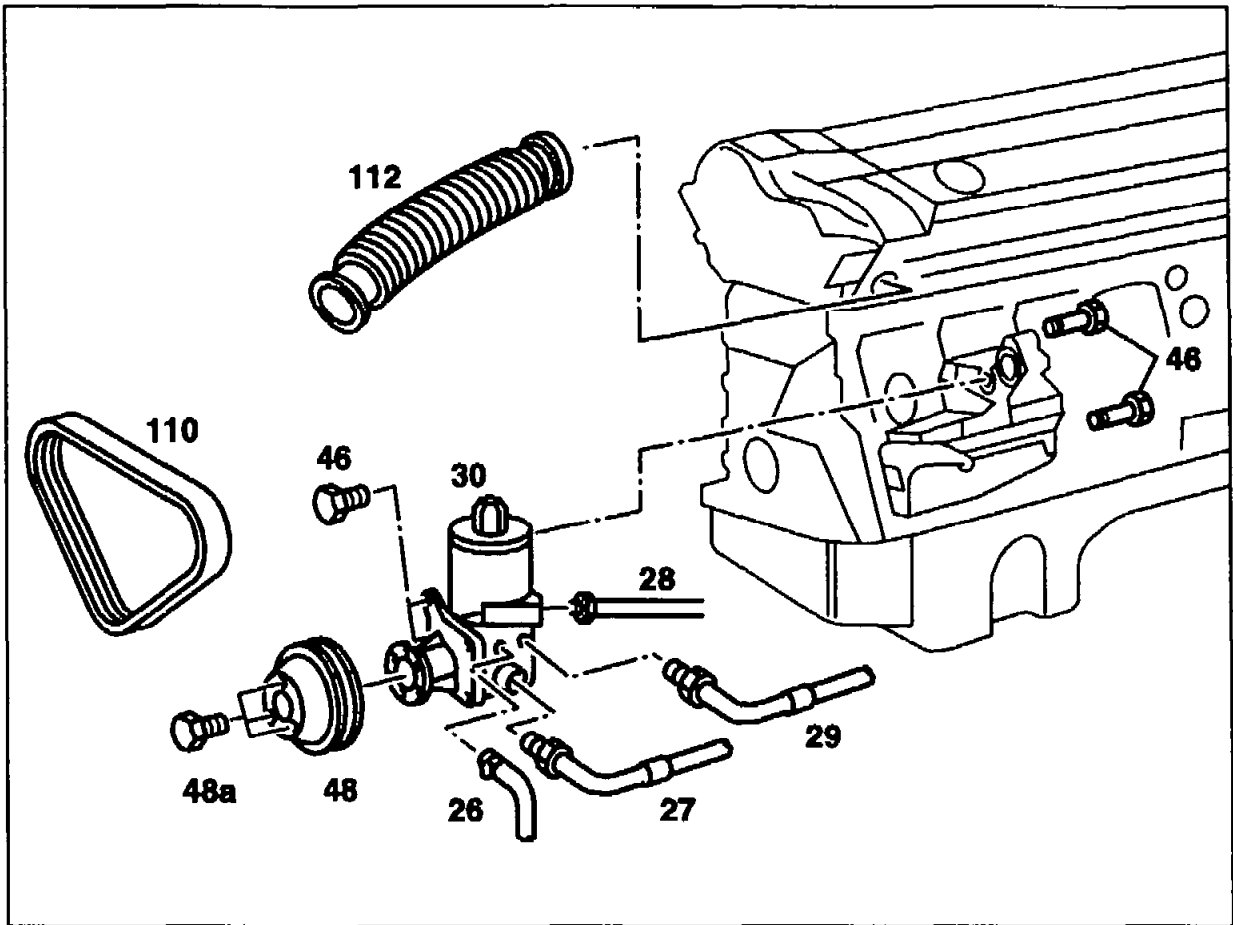
- | | |
|---|---|
| Air cleaner housing on gasoline engines | Remove, install |
| Supply tank of power steering pump (30) | Extract oil using extraction device 112 589 00 72 00. |
| High-pressure expanding hose (29) | Unscrew, screw on, 25-30 Nm. |
| Return line (28) | Unscrew, screw on, 35-45 Nm. |
| Hexagon bolts (58,54) | Loosen. |

Adjuster (55)	Turn so that the power steering pump swivels towards the engine. Remove V-belt. When installing, tension V-belt using the adjuster (55) (13-342).
Hexagon bolts (49)	Unscrew, screw on, 30 Nm.
Pulley (48)	remove, install.
Hexagon bolts (58, 54)	Unscrew, screw on, 25 Nm. Remove tapped plate (58a).
Power steering pump (30)	Remove, install.
Hexagon bolts (46a)	For fixing the carrier (46) check for firm seating.
Power steering pump (30)	Fill and bleed, check for leaks (46-4080).

Special tools



B. 4-, 5- and 6-cylinder engines (single-belt drive)

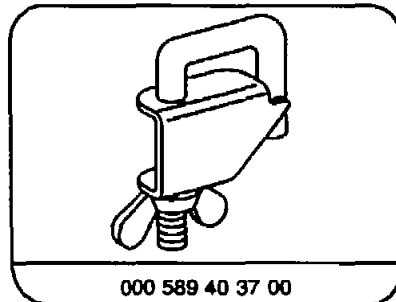
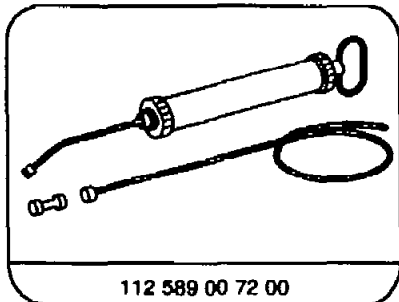


P46-5107-57

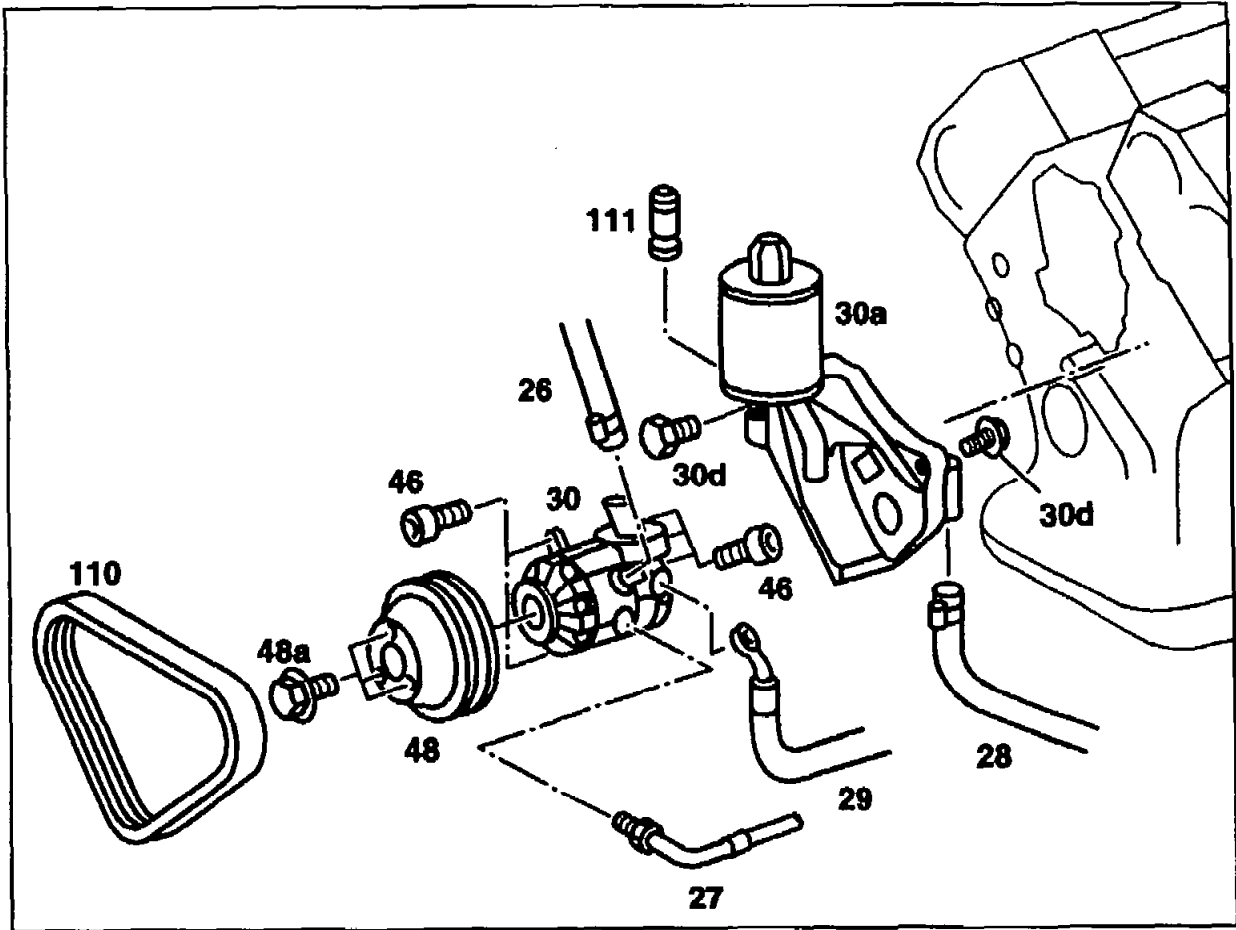
- | | |
|---|--|
| Air intake hose (112) | Remove, install. |
| Supply tank of power steering pump (30) | Extract oil using extraction device
112 589 00 72 00. |
| High-pressure expanding hose (29) | Unscrew, screw on.
Model 61 25–30 Nm
Model 67 45–50 Nm |
| Return line (28) | Unscrew, screw on, 40 Nm. |
| In addition on the tandem pump | |
| High-pressure hose (27) | Unscrew, screw on, 25 Nm. |
| Return hose (26) | Unscrew, screw on. Use clamp
000 589 40 37 00. |

Bolts (48a)	Loosen, unscrew, screw on, 30 Nm.
Poly V-belt (110)	Remove, install (13-342).
Pulley (48)	Remove, install.
Bolts (46)	Unscrew, screw on, remove, install power steering pump (30). Note On some engine variants, one or two additional bolts are to be unscrewed/screwed on at the back of the pump.
Power steering pump (30)	After installation, fill, bleed and check for leaks (46-4080).

Special tools



C. 8-cylinder engines (single-belt drive)



P46-5108-57

High voltage distributor	Remove, install (15-3010).
Bolts (48a)	Loosen, tighten, 30 Nm.
Poly V-belt (110)	Remove, install (13-342).
Pulley (48)	Remove, install.
Oil in power steering pump (30)	Extract oil using extraction device 112 589 00 72 00.
Clamping bolt (111) for belt tensioning device	Unscrew, screw on.
High-pressure expanding hose (29)	Unscrew, screw on. Model 61 25-30 Nm Model 67 45-50 Nm Ensure hose is not stressed in the installed position.

In addition on tandem pump

High-pressure hose (27)	Unscrew, screw on, 25 Nm.
Return hose (26)	Unscrew, screw on. Use clamp 000 589 40 37 00.
Bolts (30d) and ground cable	Unscrew, screw on.
Return line (28)	Loosen clamp, pull off, push on return line (28).
Power steering pump (30)	Remove with carrier (30a).
Carrier (30a)	Unscrew, screw on bolts (46) and remove power steering pump (30).
Power steering pump (30)	Fill and bleed, check for leaks (46-4080).

Special tools

