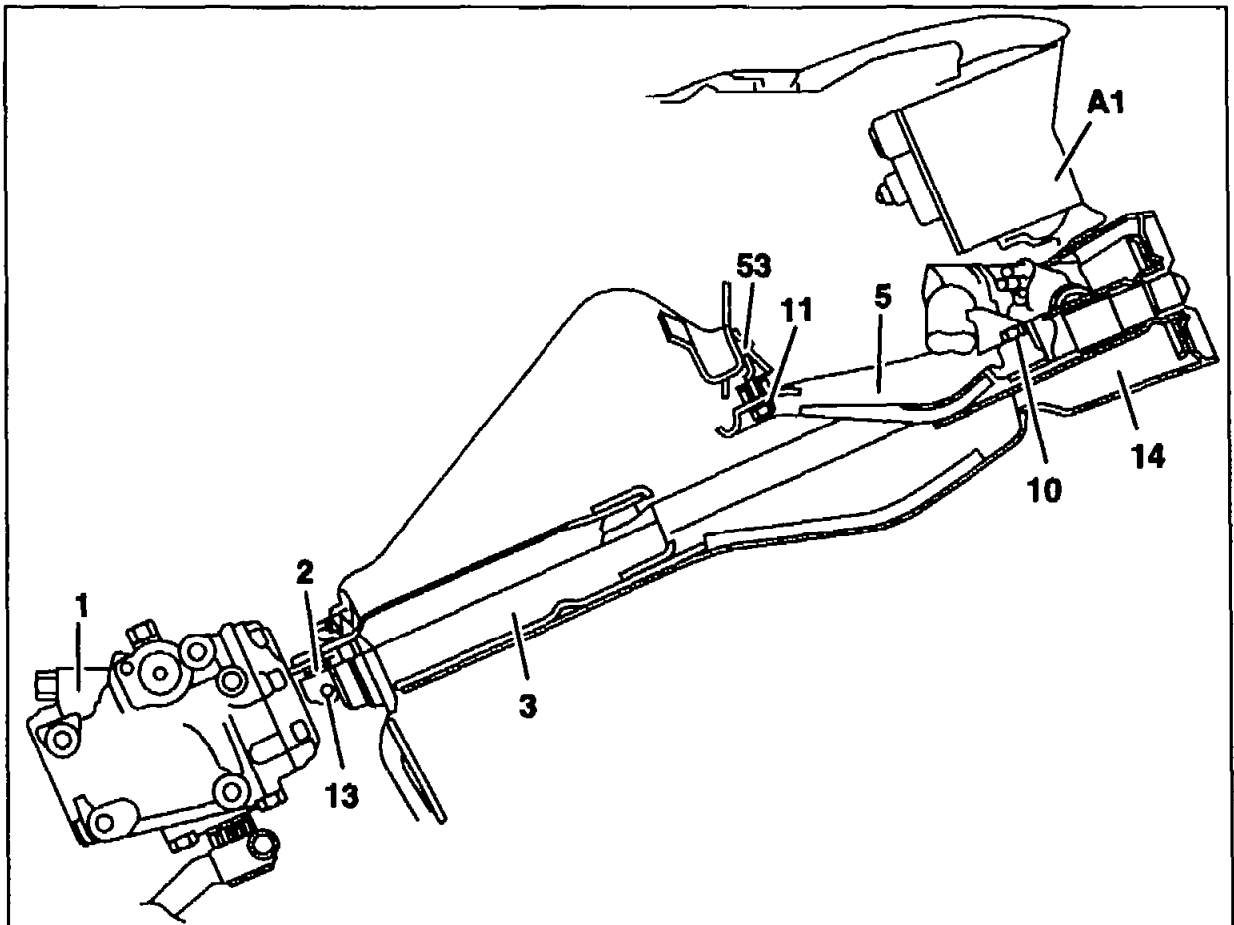


## 46-7700 Removing, checking and installing jacket tube

### A. Model 201 up to 04/84



P46-5226-57

Steering wheel .....	Remove, install (46-8240).
Steering lock .....	Remove, install (46-8010).
Combination switch .....	Remove, install (54-310).
Hexagon socket bolt (13) .....	Unscrew, screw in at the steering coupling (2), 25 Nm.
Instrument cluster (A1) .....	Remove, install (54-250).
Jacket tube trim (14) .....	Remove, install.
Hexagon nut (10) .....	Unscrew, screw on, 20 Nm.

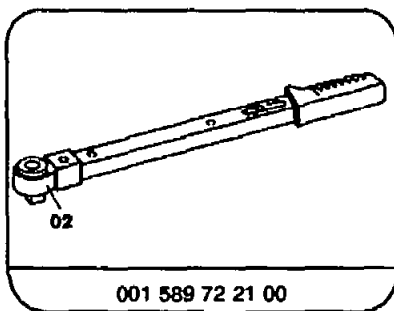
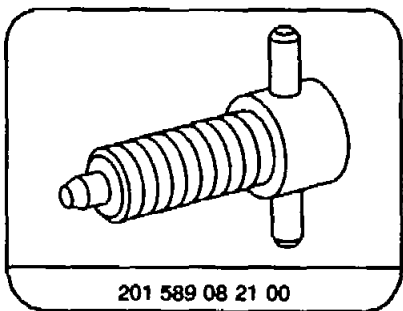
- |   |   |
|---|---|
| Hexagon bolt (11) .....                             | Unscrew, screw on, 20 Nm. Check position of threaded washer in bracket (53).  |
| Jacket tube (5) with lower steering shaft (3) ..... | Remove, install. Center the steering gear (1) before installation by using the center position check bolt 201 589 08 21 00. |
| Overall length of steering shaft .....              | Check, 731 ± 2 mm.  |

**Lubricants**

Approved multipurpose greases (NLGI class 2)

refer to Specifications for Service Products, sheet 267

**Special tools**



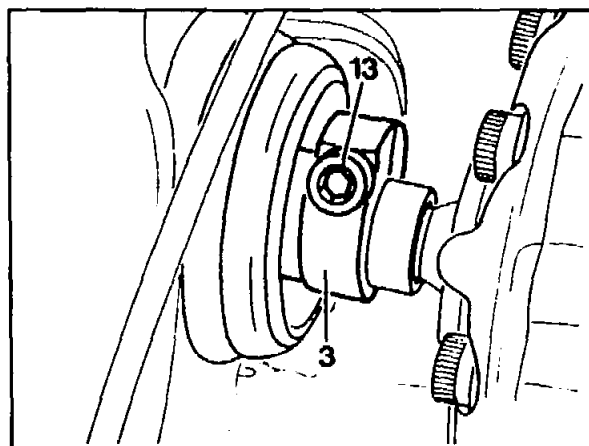
**Removal, Installation**

1 Unscrew hexagon socket bolt (13) from the lower steering shaft (3).

**Installation note**

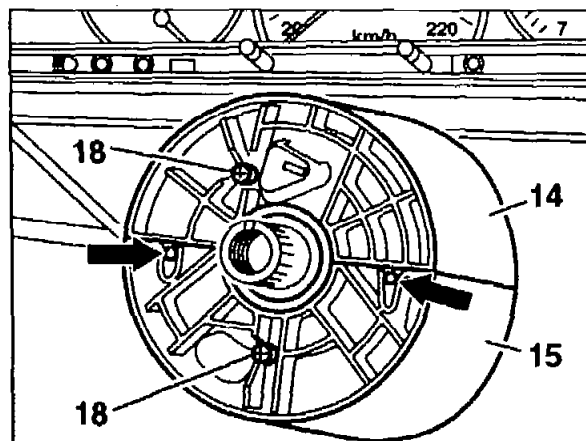
Tightening torque 25 Nm.

2 Remove instrument cluster (54-250).



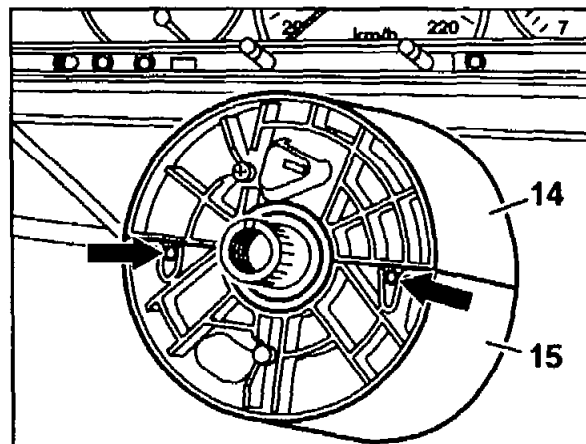
P46-2232-13

3 Unscrew cross-head screws (18) for fixing the jacket tube trim (14, 15) from the jacket tube.



P40-2075-13B

4 Unclip jacket tube trim (14) (arrows) and remove both items of jacket tube trim (14, 15).

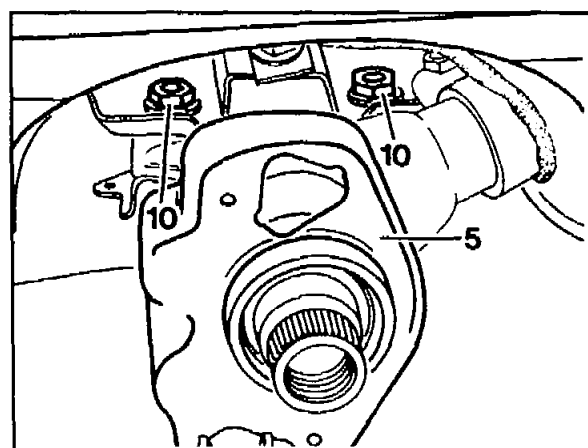


P40-2075-13A

5 Unscrew hexagon nuts (10) for fixing the jacket tube (5) to the cross member.

**Installation note**

Tightening torque 20 Nm.

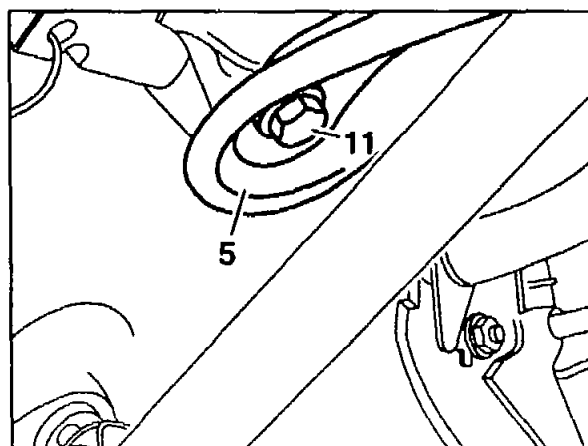


P46-2229-13

6 Unscrew hexagon bolt (11) at the support of the jacket tube (5).

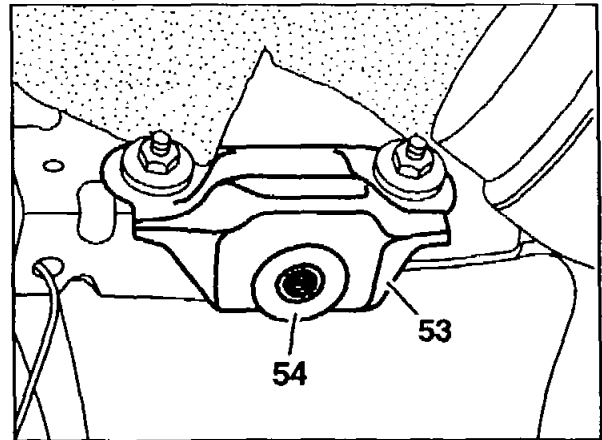
**Installation note**

Tightening torque 20 Nm.



P46-2228-13

Check correct position of threaded washer (54).  
The threaded washer (54) must be pushed fully  
into the bracket (53).



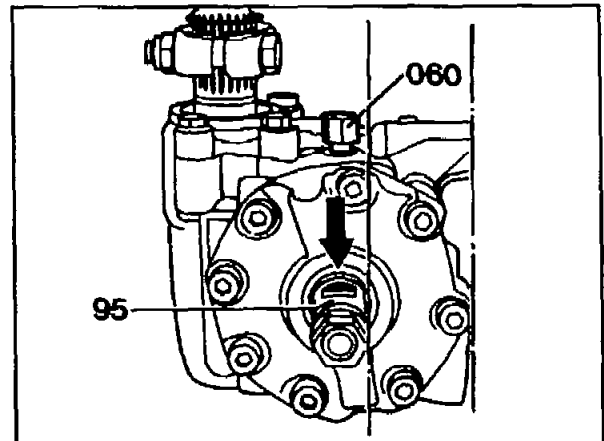
P46-2225-13

7 Remove jacket tube with lower steering  
shaft.

**Installation note**

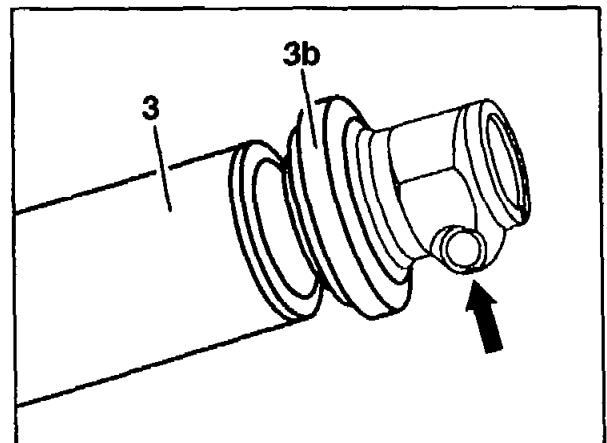
In the center position, the two flats of the  
clamping bush (95) are parallel to the contact  
surface of the steering gear and the recess  
(arrow) points downwards.

Screw in the center position check bolt (060)  
201 589 08 21 00.



P46-2258-13

Coat sealing ring (3b) on the lower steering shaft  
(3) with multipurpose grease (refer to  
Specifications for Service Products, sheet 267).  
Turn the lower steering shaft (3) so that the  
parting line (arrow) points downwards.  
Ensure correct seating of cup seal in the firewall.



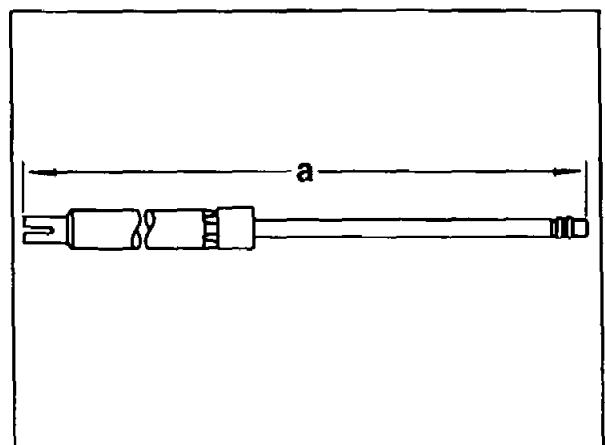
P46-2226-13

**Checking**

8 Check the overall length of the upper and  
lower steering shaft.

Dimension "a" is  $731 \pm 2$  mm.

If this dimension is not achieved, the steering  
shaft is to be repaired (46-7740).



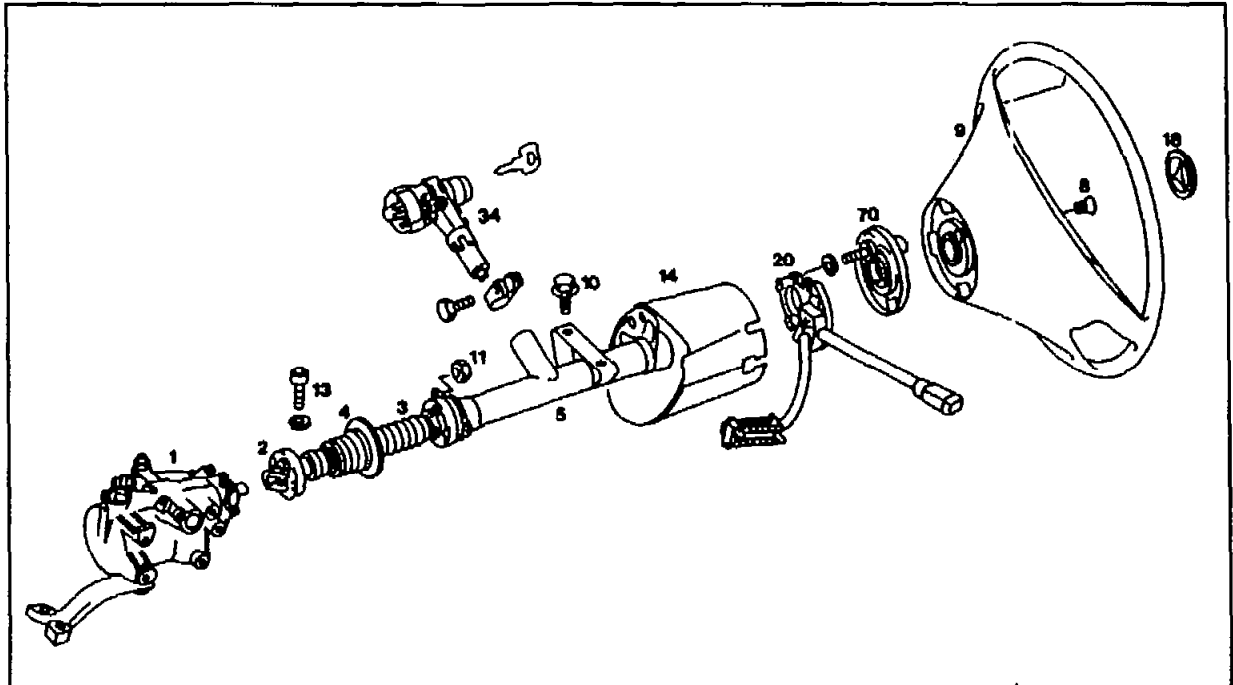
P46-0080-13

## B. Model 124, Model 201 as of 04/84

Preceding work:

Steering wheel removed (46-8240).

Trim below instrument panel removed (68-150).



P46-0052-55

**Model 124 with contact spiral (except for RHS and 4MATIC), contact spiral** .....

Remove, install (46-8300).

Steering lock (34) .....

Remove, install (46-8010).

Upper bolt (13) .....

Unscrew, screw on, replace at the steering coupling.

Tightening torque

Model 124 (except for  
124.034/036) 201

25 Nm

Model 124.034/036

35 Nm

### Vehicles with wiper contacts

Support plate (70) with horn and airbag carbon brushes .....

Remove, install.

### Vehicles with 4MATIC

Steering angle sensor (N49) .....

Remove, install (32-600 B, number 5).

Combination switch (S4) or cruise control pushbutton switch .....	Remove, install (54-2800).
Jacket tube trim (14) .....	Remove, install.
Hexagon bolts (10) .....	Unscrew, screw on, 20 Nm.
Hexagon nuts (11) .....	Unscrew, screw on, 20 Nm.
Complete jacket tube (5) .....	Remove, install. Move steering gear (1) into the center position before installation. Do not use any force.
Cup seal (4) .....	Check for damage and correct seating.
steering shaft (3) .....	Lower Check for concentricity. Check steering coupling. Coat sealing ring with multipurpose grease (refer to Specifications for Service Products, sheet 267).

**Lubricants**

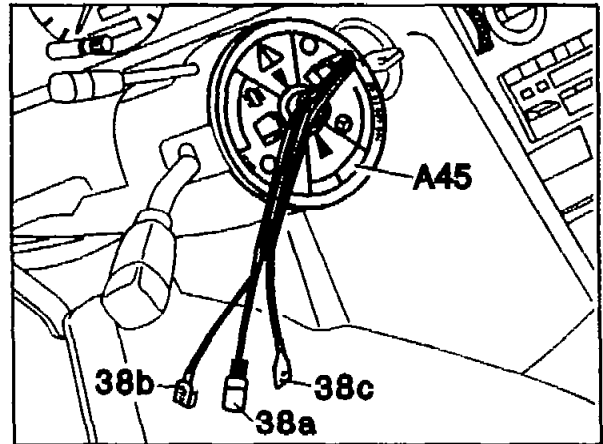
Approved multipurpose greases (NLGI class 2)

refer to Specifications for Service Products, sheet 267

**Removal, installation**

**Model 124 (except for RHS and 4MATIC) with contact spiral as of 07/93**

- 1 Remove contact spiral (A45) (46-8300). Observe straight ahead position of front wheels.
- 2 Remove steering lock (46-8010).



P46-5373-13

3 Unscrew upper hexagon bolt (2a) so that the steering coupling remains on the steering gear.

**Installation note**

Replace hexagon bolt.

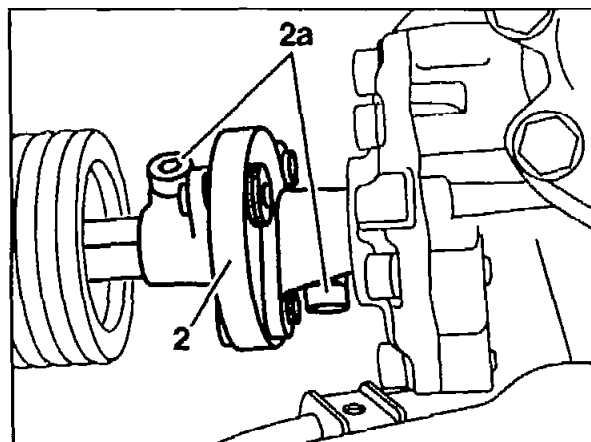
Tightening torque

Model 124 (except for  
124.034/036), 201

25 Nm

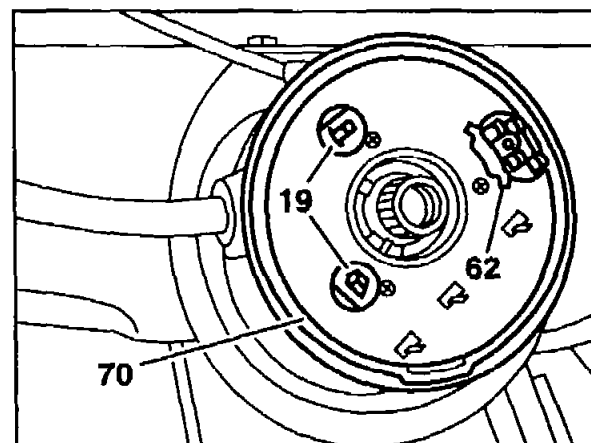
Model 124.034/036

35 Nm



P46-5376-13

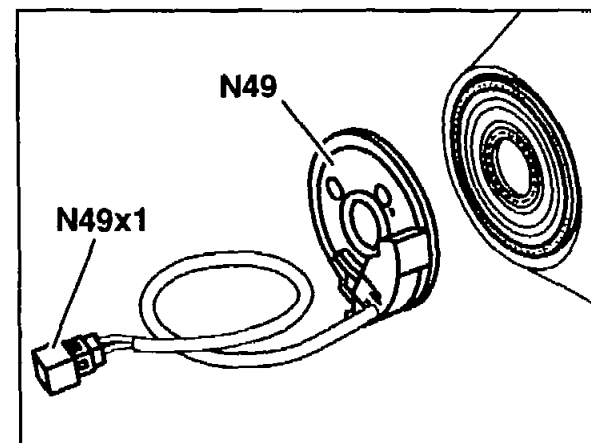
4 On vehicles with carbon brushes  
Remove support plate (70) with horn (19) and  
airbag carbon brushes (62).



P46-2027-13

**5 Model 124 with 4MATIC**

Disconnect connector for steering angle sensor  
(N49x1) and remove support plate with steering  
angle sensor together with wiring harness. When  
installing, reactivate steering angle sensor (32-  
600 B).



P55-2005-13

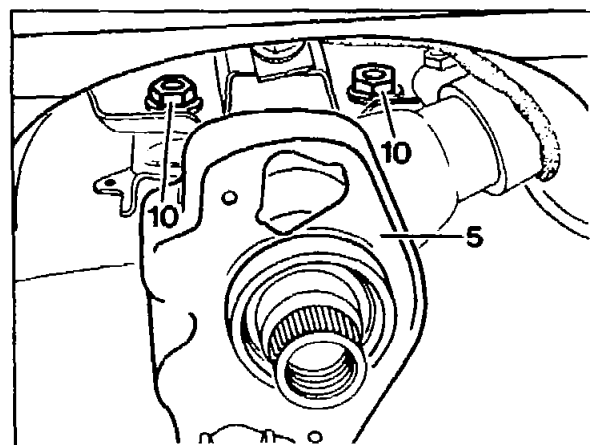
6 Remove combination switch (54) or cruise  
control pushbutton switch (54-2800).

7 Remove jacket tube trim.

8 Unscrew hexagon bolts (10) for fixing the  
jacket tube to the cross member.

**Installation note**

Tightening torque 20 Nm.

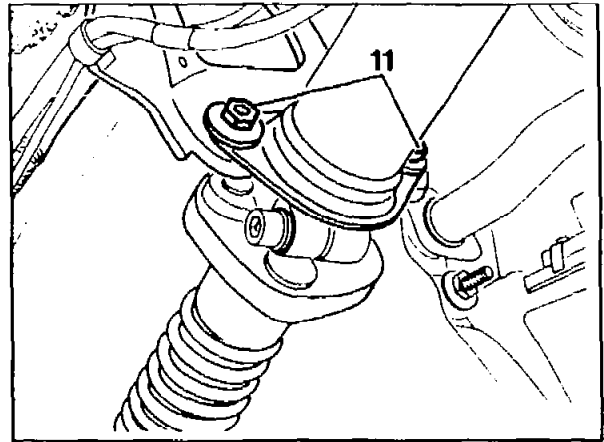


P46-2229-13

9 Unscrew hexagon nuts (11) on lower bracket.  
Detach any reinforcement brace.

**Installation note**

Tightening torque 20 Nm.

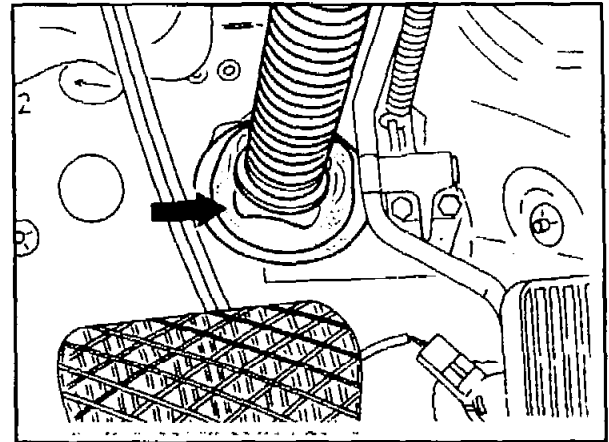


P46-2233-13

10 Remove jacket tube together with lower steering shaft.

**Installation notes**

- Lightly coat cup seal (arrows) with multipurpose grease and install carefully in the firewall.
- Place steering shaft in approx. straight ahead position (triggering lugs of steering shaft towards turn signal indicator switch).
- Place steering gear in center position (front wheels straight ahead).
- Install complete jacket tube carefully and without using force while inserting in the steering coupling.

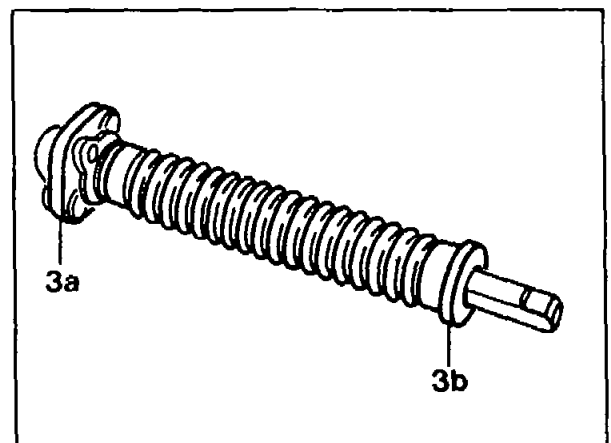


P46-2539-13A



Do not use any force. The collapsible tubing of the lower steering shaft is sensitive to lateral forces.

- Check concentricity (max. 2 mm lateral runout)
- Remove, install steering shaft only when jacket tube is removed.
- Check steering coupling (3a).



P46-2572-13