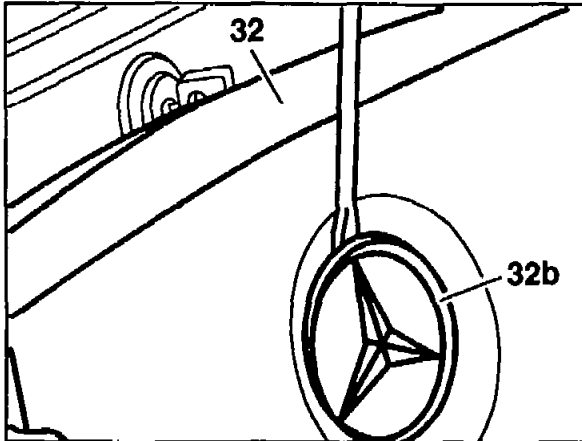
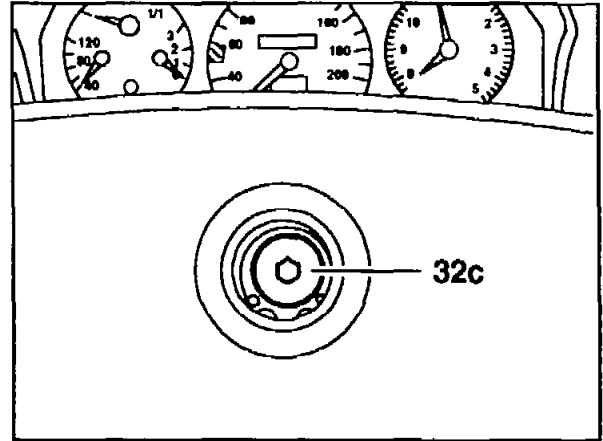


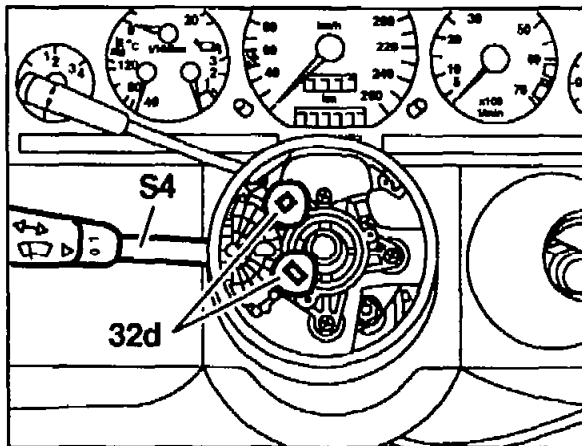
A. Steering wheel without airbag



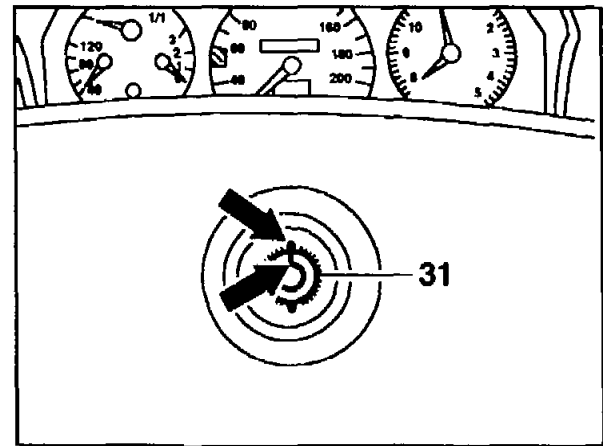
P46-5400-13



P46-5397-13



P46-5399-13



P46-5398-13

Steering wheel (32) .....

Position horizontally (front wheels in straight ahead position) and allow steering lock to engage. Insert/push adjustable steering column in fully.

Trademark (32b) .....

Remove, install using a small screwdriver.

Countersunk screw (32c) .....

Unscrew, screw in and replace, 80 Nm. To protect the steering lock and the jacket tube, arrange for an assistant to steady the steering wheel (32).

Steering wheel (32) ..... If necessary mark installed position in relation to steering shaft, pull off, install.

**Note**

When installing, align recess on the steering wheel with marking on the steering shaft (arrow) (since 01/90) or observe self-made installation markings.

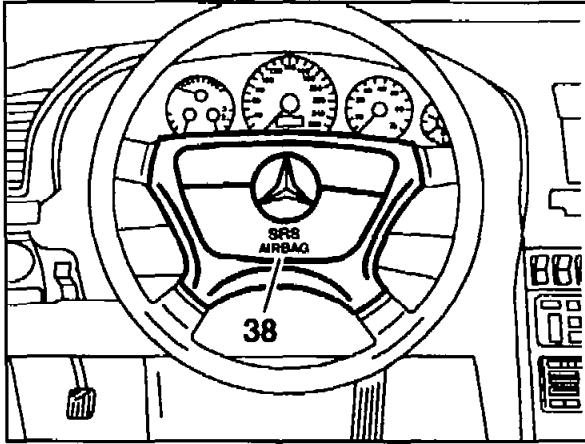
Carbon brushes (32d) and brass contact rings ... Check. If there are grinding noises from the carbon brushes (32d), coat brass contact rings lightly with 331 contact grease or Elektrolube 2 GX.

On a test trip, check .....

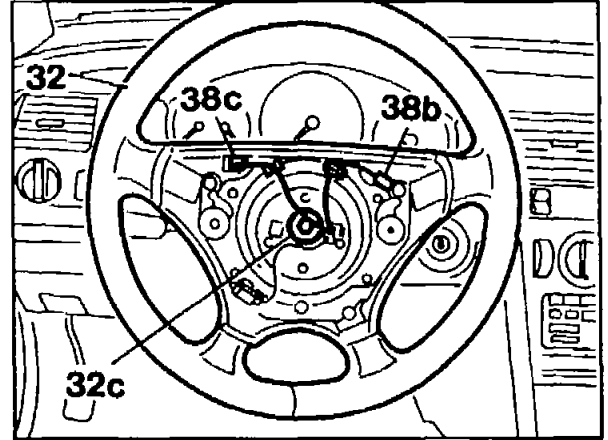
- **Position of steering wheel**  
If the steering wheel is not on square, offset it by max. 1 tooth. If there is a greater deviation, check center position of steering gear (40-0323), adjust toe-in if necessary.
- **Turn signal indicator resetting**  
If the steering wheel is offset by more than 1 tooth, satisfactory turn signal indicator resetting is no longer guaranteed.

Cleaning steering wheels ..... **Dirty or sticky steering wheels** can be cleaned with a neutral household detergent, the steering wheel being washed with a lukewarm solution of detergent. Scouring agents must not be used.

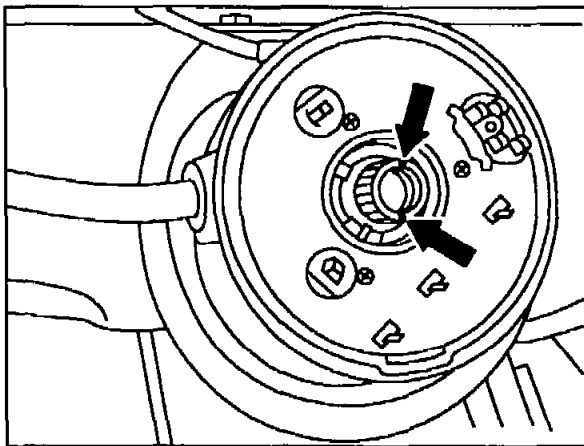
## B. Steering wheel with airbag



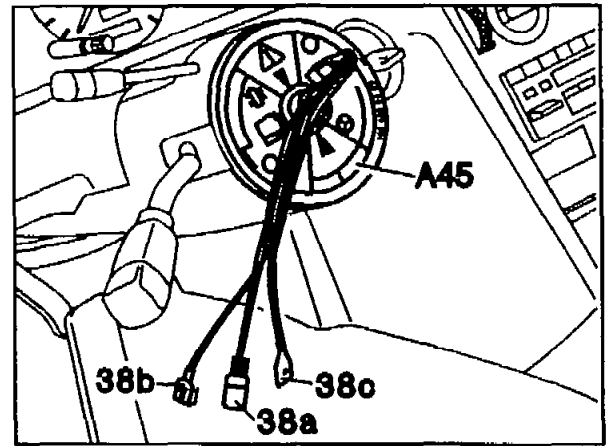
P46-5395-13



P46-5425-13



P46-5396-13



P46-5373-13

Battery .....

Disconnect, connect.

Airbag unit (38) .....

Remove, install (91-660).



**Observe safety regulations for airbag**

Steering wheel (32) .....


Position horizontally (front wheels in straight ahead position). Allow steering lock to engage.

**Model 124 with contact spiral (A45) as of 07/93**  
Connectors (38b and 38c) .....

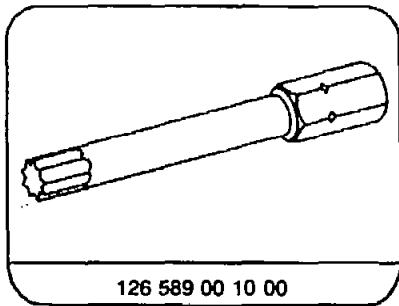
Disconnect, connect, guide through recess in steering wheel.

Countersunk screw (32c) .....

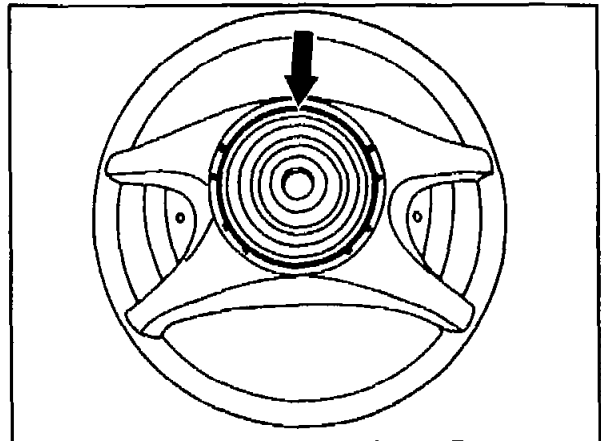
Unscrew, screw in and replace, 80 Nm.

Steering wheel (32) .....	<p>Mark installed position in relation to steering shaft if necessary, remove, install.</p> <p><b>Note</b></p> <p>When installing, align recess on the steering wheel with marking on steering shaft (arrow) (since 01/90) or observe self-made installation markings.</p>
Carbon brushes (32d) and brass contact rings ...	<p>Check.</p> <p></p> <p>The brass contact rings must <b>not</b> be lubricated</p>
On a test trip, check .....	<ul style="list-style-type: none"> <li>● <b>Position of steering wheel</b> If the steering wheel is not on square, offset it by max. 1 tooth. If there is a greater deviation, check center position of steering gear (40-0323), adjust toe-in if necessary.</li> <li>● <b>Turn signal indicator resetting</b> If the steering wheel is offset by more than 1 tooth, satisfactory turn signal indicator resetting is no longer guaranteed.</li> <li>● <b>Airbag indicator lamp</b> Observe this when turning steering to full lock in both directions and when the engine is running. The airbag indicator lamp must not come on.</li> <li>● <b>Steering angle sensor (on 4MATIC)</b> Reactivate in both directions when the engine is running by applying full lock.</li> </ul>
Cleaning steering wheels .....	<p><b>Dirty or sticky steering wheels</b> can be cleaned with a neutral household detergent, the steering wheel being washed with a lukewarm solution of detergent. Scouring agents must not be used.</p>

## Special tools



On vehicles with 4MATIC, a magnetic ring with 72 magnets is installed in the outer plastic track (arrow). When installing the steering wheel, ensure that no iron chips have been drawn in from the surroundings.

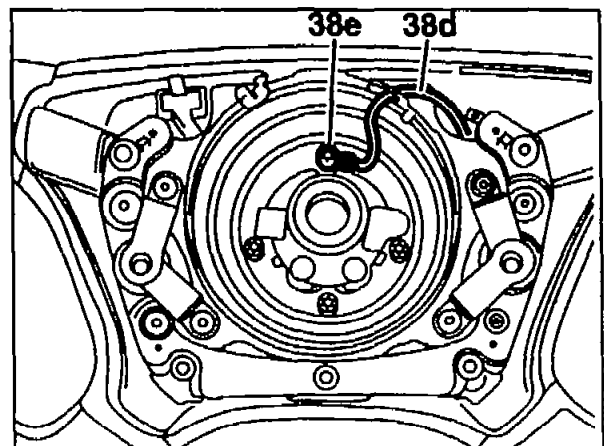


P46-2647-13

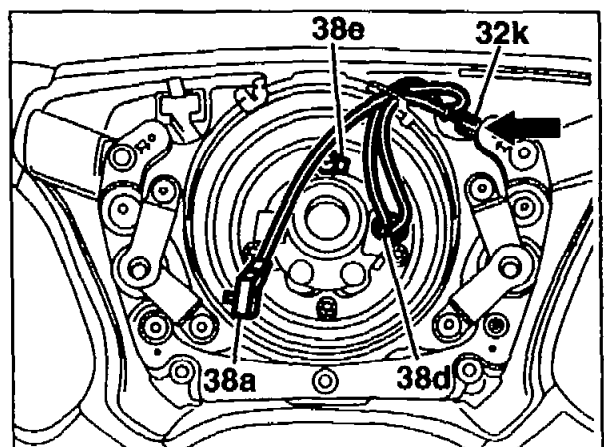
## Standardisation of replacement steering wheels

New replacement steering wheels have been developed with the introduction of the contact spiral as of 02/93.

- Steering wheels are offered in the installed condition for the contact spirals. This also includes a cable (38d) on a flat-pin plug (38e).
- On steering wheels prior to the introduction of the contact spiral, the slip ring must be reassembled or ordered at the same time according to the appropriate special equipment. The electrical cables are to be routed as shown.



P46-5459-13



P46-5460-13

Replacement steering wheel in the installed condition for vehicles with wiper contacts