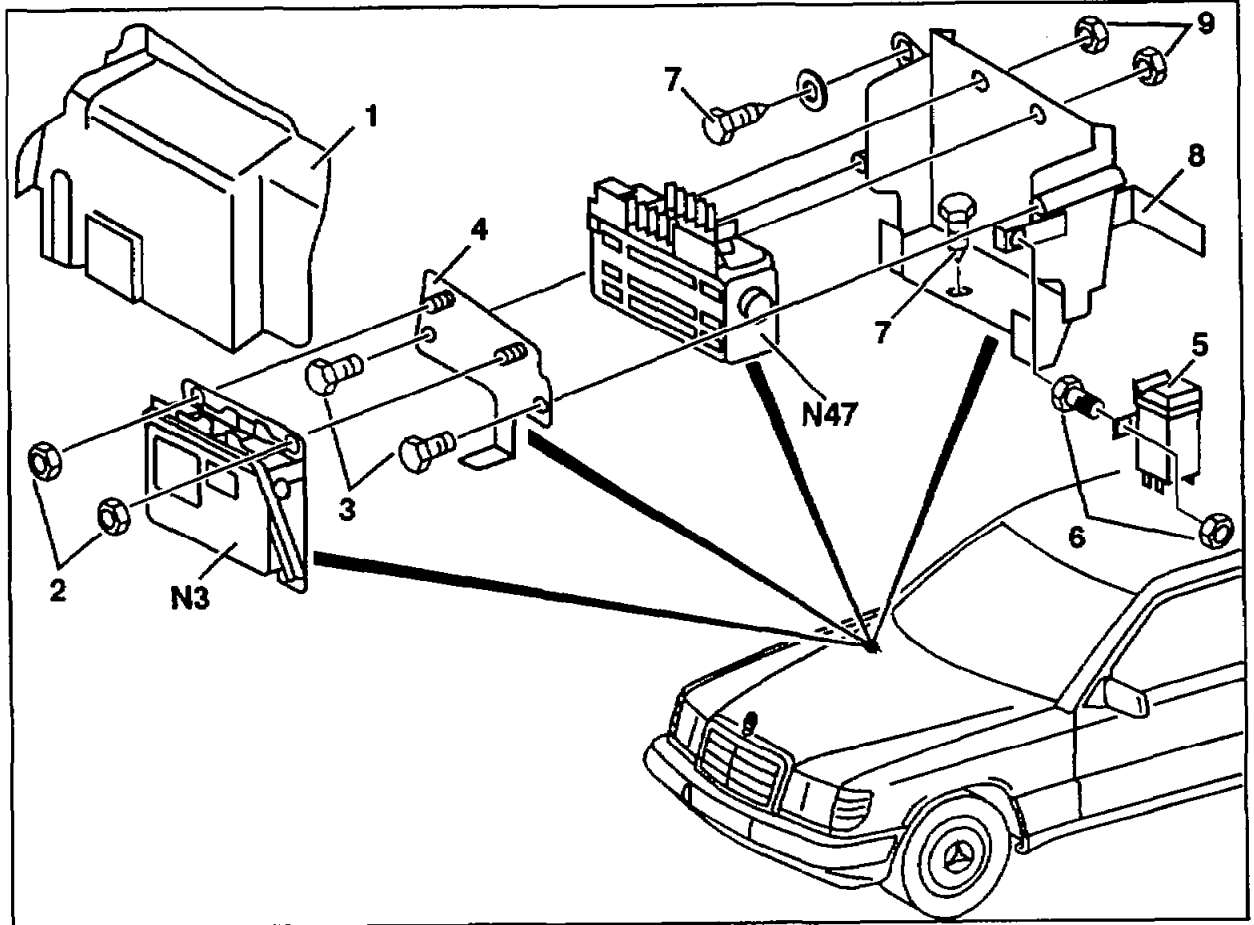


54-2311 Removing, Installing control modules (except model 124.034/ .036)

Preceding work:
Hood raised to vertical position (01-0008)

Operation no. of operation texts and work units or standard texts
and flat rates:

Removing, Installing



P54.15-0453-57

Cover of control modules (1) remove, install.
Battery remove, install.

Note

If necessary, connect no-load current retention equipment.

Connector at fuel injection system control module (N3) separate, connect.
Injection system control module (N3) remove, install.

Take out nuts (2), screw in for this step.

Bracket of injection system control module (4) remove, install.

Remove bolts (3) for this step, insert.

Overvoltage protection relay (5)	remove, install. Take bolted connection (6) out of bracket of control modules (8) for this step, insert.
Connectors at traction systems (N47)	separate, connect.
Bracket of control modules (8)	remove, install. Remove bolts (7) for this step, insert.
Bracket of control modules (8) together with traction systems control module (N47)	remove, insert.
Traction systems control module (N47)	take off from control modules bracket (8), fit on. Unscrew nuts (9) for this step, insert.