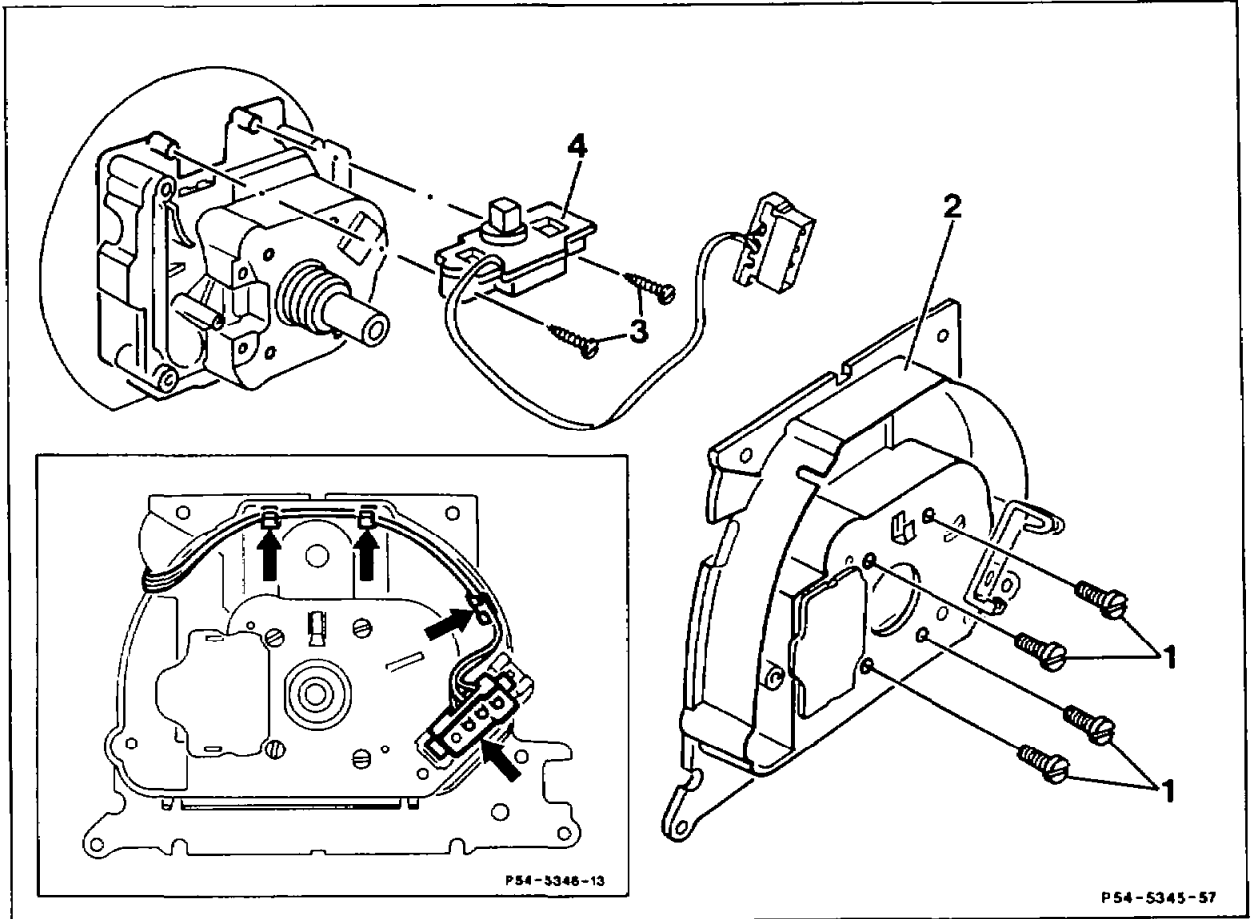


## 54-6114 Removing and installing function display (ASD, ASR and 4MATIC)

Preceding work:  
Instrument cluster removed (54-6015).  
Speedometer removed (54-5320).

Operation no. of operation texts and work units or standard texts  
and flat rates:



Coupling with cable (arrows) .....	unclip, clip into place.
Screws (1) .....	unscrew, screw in.
Housing (2) .....	take off, insert.
Screws (3) .....	unscrew, screw in.
Function display (4) .....	take out, insert.