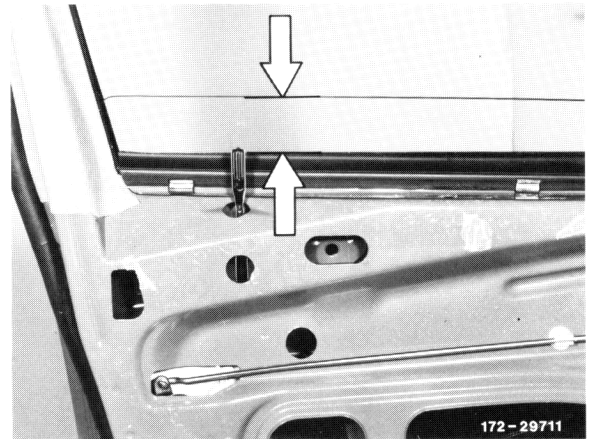


A. Sedan

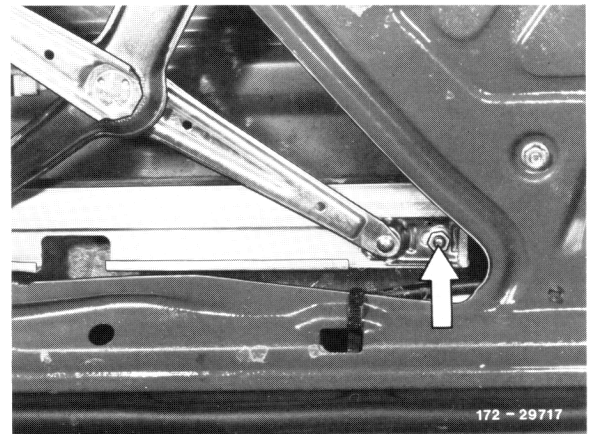
Removal

- 1 Remove door lining (72-100).
- 2 Pull off plastic foil in lower range.
- 3 Let window run down until the upper edge of the window is still projecting by approx. 20 mm at sealing strip.

Remove inner sealing strip (72-160).



- 4 Unscrew nut on window lifting rail at front and disconnect window lift arm.

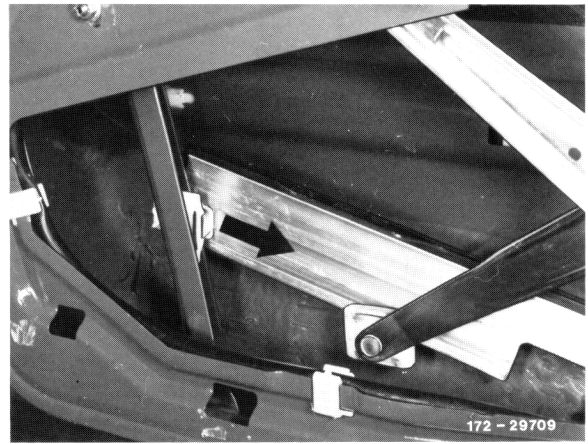


- 5 Lift window at the rear and extend slide shoes at cutout of window lifting rail.



6 Push window out of window guide rail at front and pull out of guide member on guide rail in forward direction.

7 Remove window in upward direction out of door shaft.



Installation

8 Insert guide member from below into guide rail.

9 Insert window from above into door shaft and lower in downward direction.

10 Force window at front out of window guide rail, while turning window at the rear in upward direction.



11 Introduce window lifting rail from the front into guide member.



12 Introduce slide member from rear window lifting arm into cutout of window lifting rail.

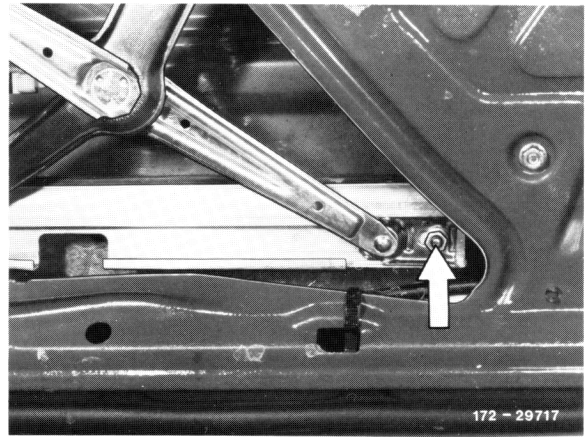
13 Set window to horizontal position while inserting window at rear and front into window guide rail.



14 Insert window lifting arm at front into window lifting rail and fasten.

15 For further installation proceed vice versa.

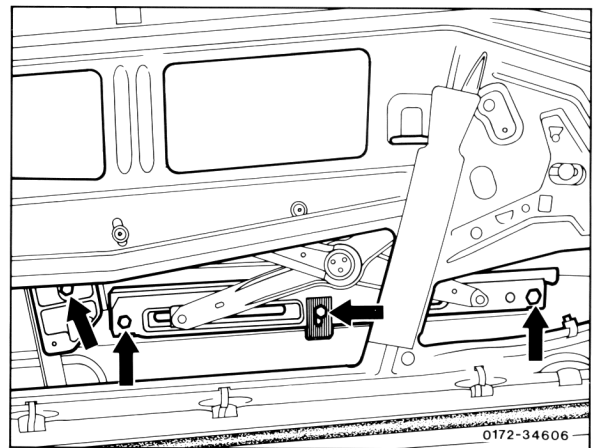
Note: Adjust crank window prior to fitting door lining (72-195).



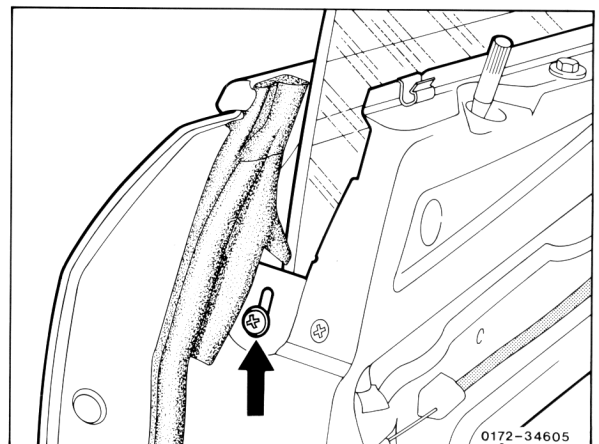
B. Coupe and convertible

Removal

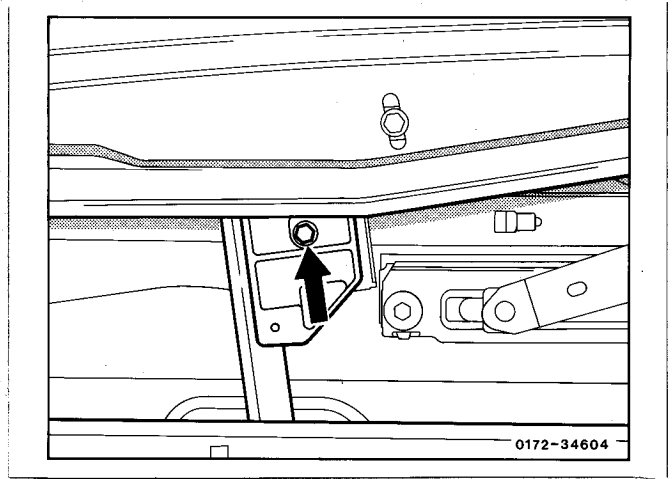
- 1 Door lining removed (72-100 section B).
- 2 Sealing strip inside removed (72-160).
- 3 Pull sealing foil from inside door plate.
- 4 Open crank window so that the screws on window lifting rail and guide shoes are accessible.



- 5 Loosen screw on guide wedge.

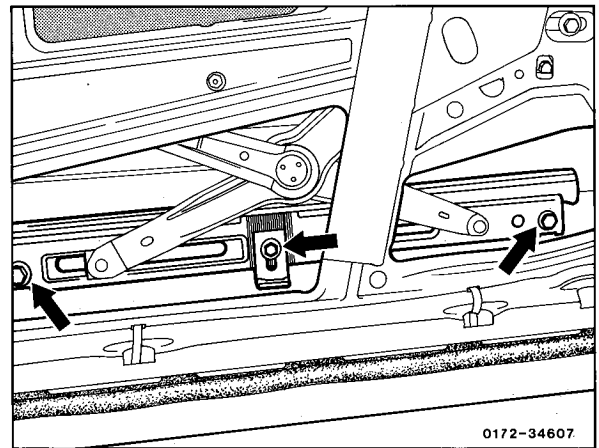


6 Unscrew guide shoes at front and rear and remove.



7 Unscrew screws on window lifting rail (3 each).

8 Remove crank window in upward direction out of door shaft while tilting crank window slightly forward.

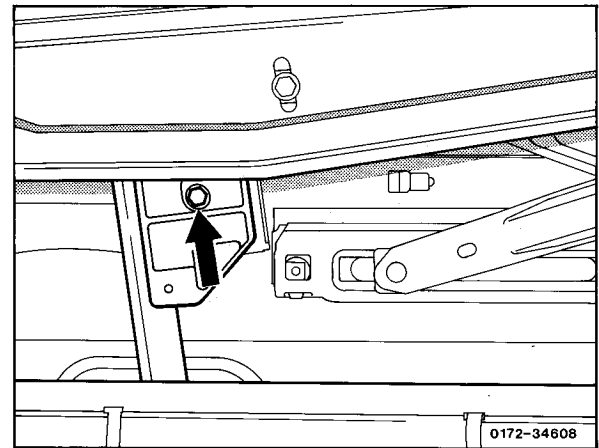


Installation

9 Insert crank window from above into window shaft while tilting window slightly forward.

10 Insert guide shoes at front and rear at right angles to crank window, push upward in slots and screw down.

11 For further installation proceed vice versa.



Note: Adjust crank window prior to mounting door lining (72-195).