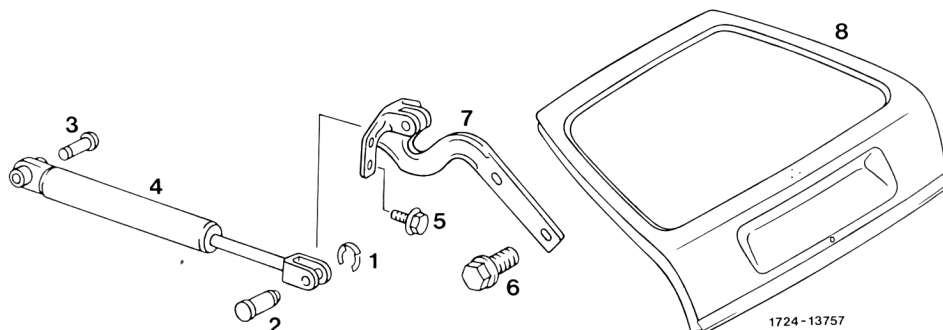


72-350 Removal and installation of tailgate (T-sedan)

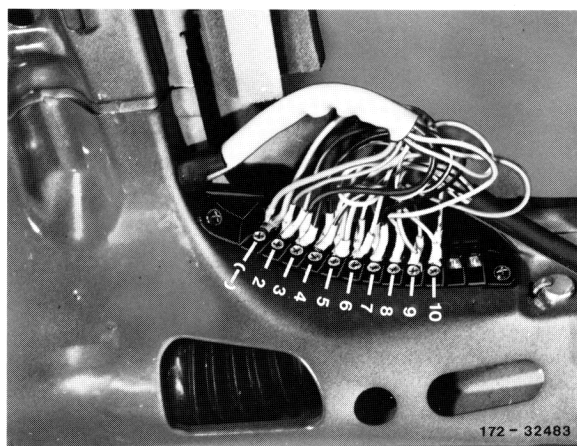
Trim on roof frame rear removed (68-447).
Supply lines on separating points released.



Screw (6)	screw 4 each out and in
Hinge (7)	mark installation position
Tailgate (8)	remove with one helper (pay attention to installation note)

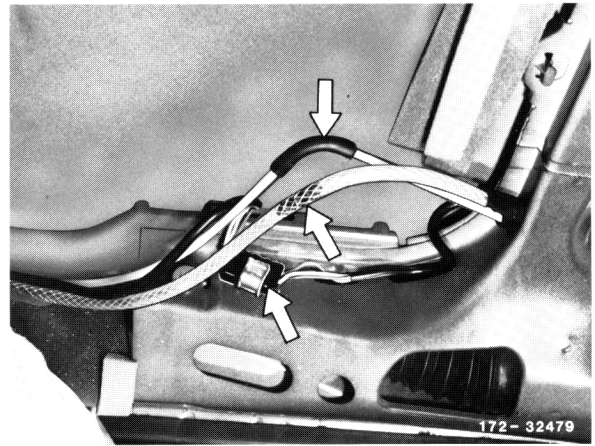
Remove and install

1 Loosen electric cable connections on roof frame rear left and pull cable harness out of roof frame.



2 Pull water hose for back window washer from connecting point.

3 Separate vacuum line and electric plug for vacuum element of central locking system at connecting point.



4 Mark installation position of hinge on tailgate.

5 Unscrew screws and carefully remove tailgate with a helper.

6 For installation proceed vice versa.

7 Adjust tailgate (72-351).



Installation note

Connect electric lines in matching numbers from the rear toward the front to cable connector.

