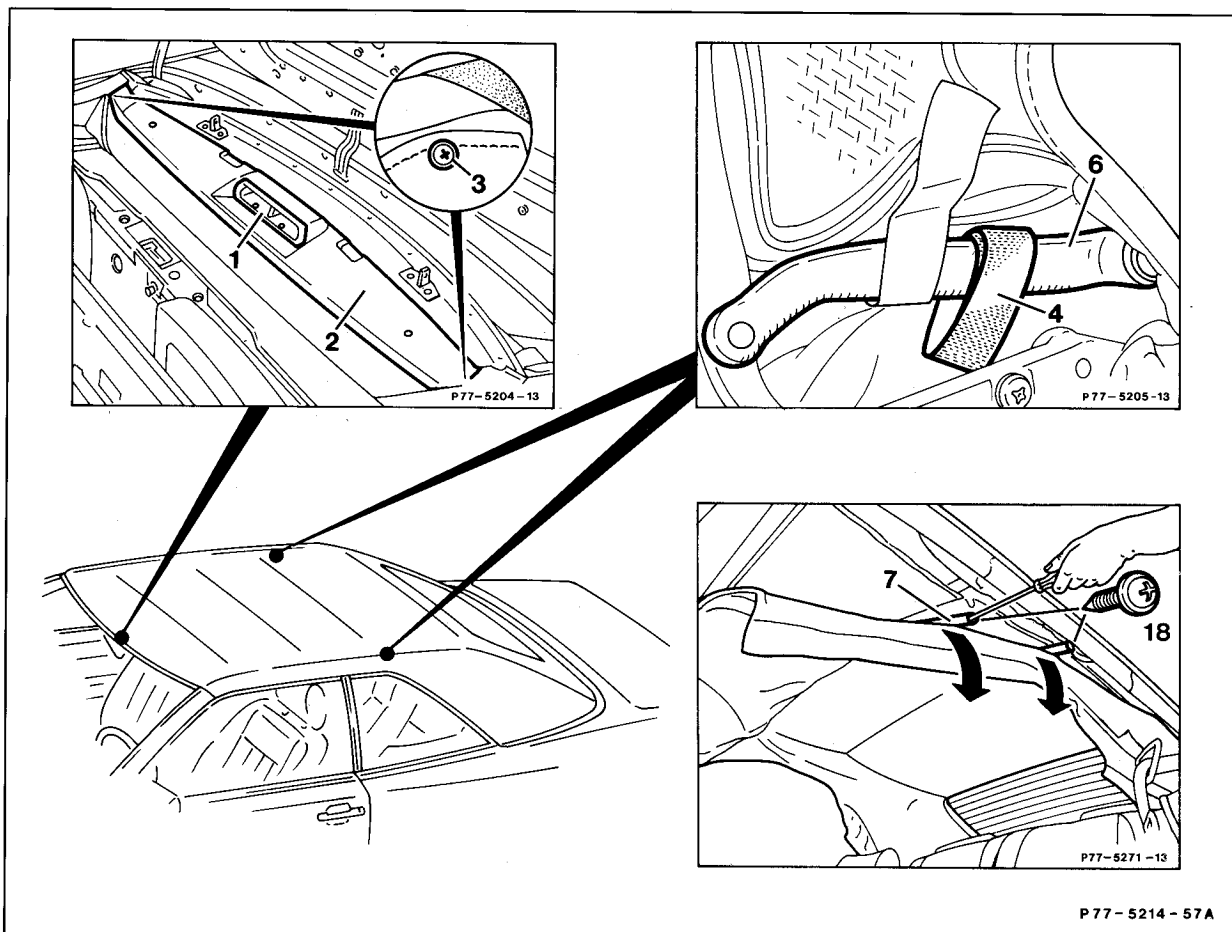


# 77-055 Removal and installation of headlining on cabriolet

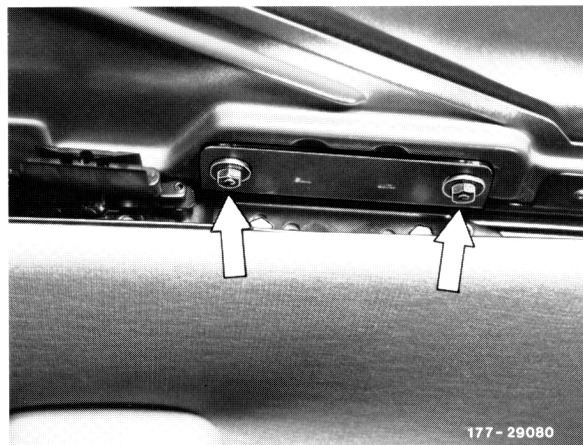
Operation no. of operation texts and work units or standard texts and flat rates:



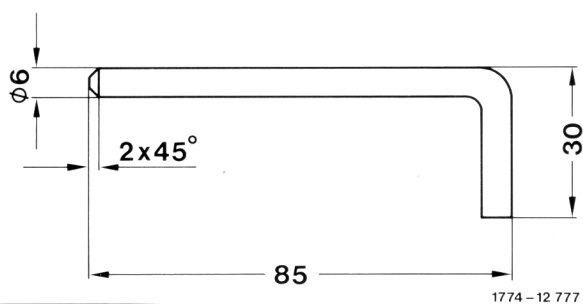
- |   |  |
|---|--|
| Soft top .....                          | fold down into soft top compartment.                                     |
| Recessed handle (1), cover (2) .....    | remove, install.   |
| Screw (3) .....                         | unscrew, screw in.   |
| Glued joint on side .....               | detach, glue on (item 18).   |
| Headlining .....                        | detach from soft top frame, attach.                                      |
| Soft top .....                          | close, push up soft top frame at front, raise soft top bow.              |
| Velcro strip (4) on guide arm (6) ..... | open, close (item 11).   |
| Screw (18) on retaining bar (7) .....   | unscrew, screw in and press retaining bar off with screwdriver (item 7). |

RA 77.0767-055/1

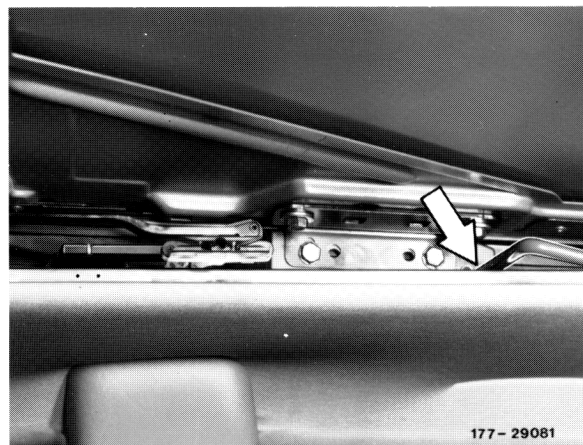
- 4 Unscrew nuts left and right.
- 5 Remove tilting/sliding sun roof top panel in upward direction.



- 6 Make two centering pins (unless already provided).



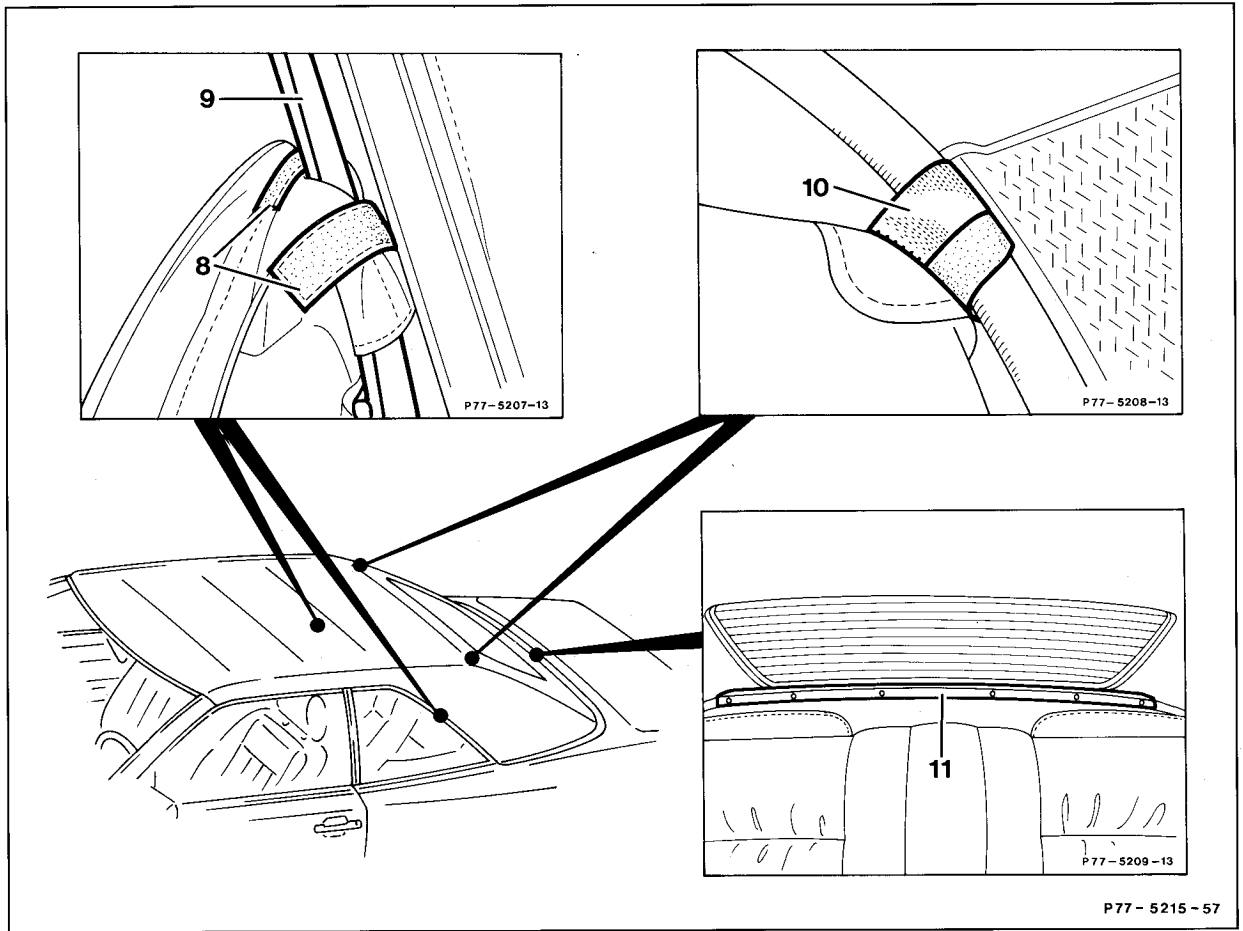
- 7 Plug centering pin into centering bore at left and right.
- 8 Remove interior rear view mirror.



### Installation

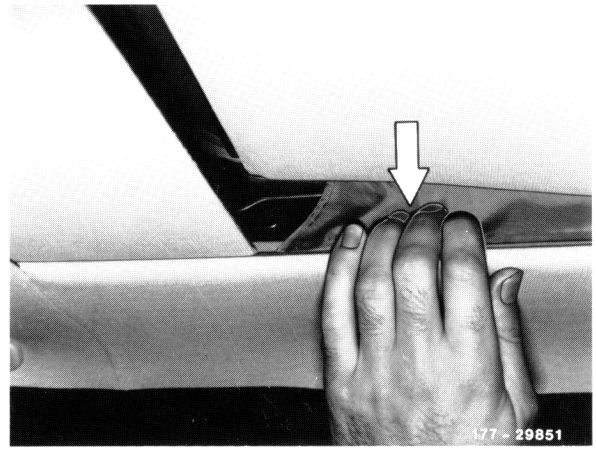
- 9 Insert tilting/sliding sun roof top panel from above, position nuts, tension tilting/sliding sun roof top panel with special tool, part no. 124 589 00 37 00 and tighten nuts.
- 10 For further installation proceed in reverse order.

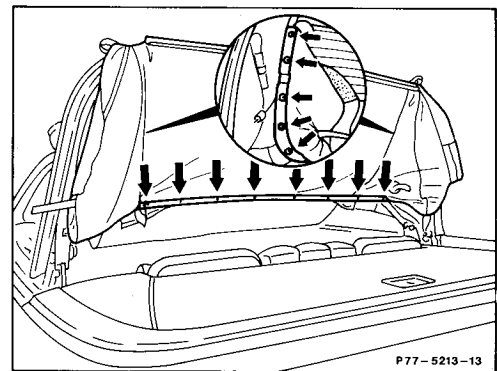
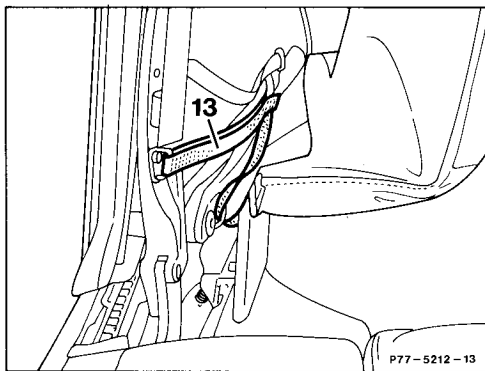
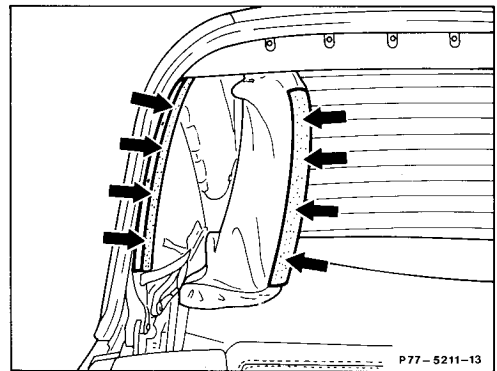
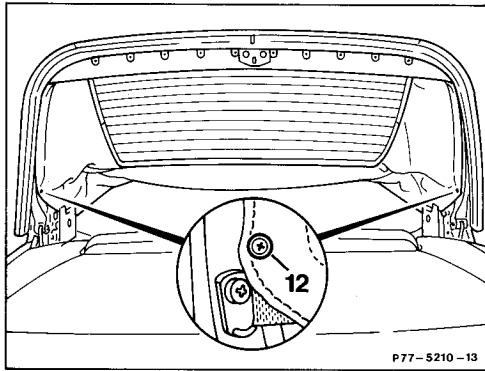




- |   |  |
|---|--|
| Velcro strip (8) on main pillar (9) ..... | open, close (item 8).                          |
| Velcro strip (10) on corner brace .....   | open, close (item 5).                          |
| Cover (11) on soft top bow .....          | remove, install.                               |
| Headlining .....                          | detach from, glue onto soft top bow (item 16). |

10 Close sun roof, lift approximately halfway at the rear and, in this position, check whether the lateral visors can be perfectly moved in and out.





- |                           |  |
|---------------------------|--|
| Screw (12) .....          | unscrew, screw in.   |
| Headlining (arrows) ..... | pull off soft top bow, install (item 14).  |
| Velcro strip (13) .....   | open, close (item 13).   |
| Headlining .....          | move toward rear over soft top bow and unscrew nuts (arrow) below and on side of window, screw on. |
| Headlining .....          | remove together with frame, install.   |

## Commercially available tool

Designation

e.g. company

Simplex A tacking pliers

Carl Lohrmann GmbH + Co  
Porschestraße 6  
7337 Albershausen

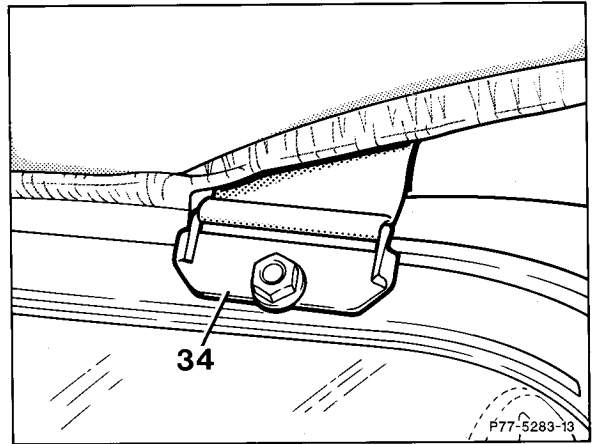
1 Attach headlining with frame to window frame.

2 Attach bracket (34).

3 Screw on and tighten nuts.



Tighten nuts uniformly to prevent waves in the window gasket.

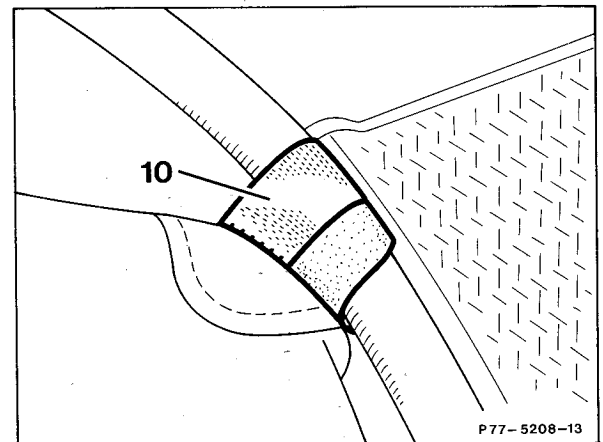


4 Open soft top compartment cover, put down soft top bow and move soft top to horizontal position.

5 Fasten Velcro strip (10) on corner brace.



Fasten the Velcro strip (10) as tightly as possible.



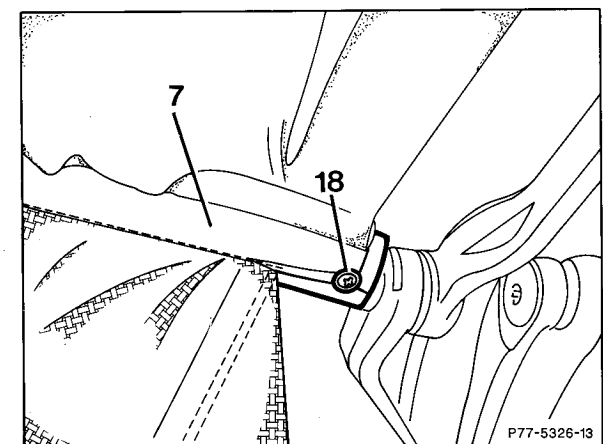
6 Close soft top at front.

7 Press rail (7) onto brace, screw in screw (18) and hook headlining onto soft top frame. Press hooks on hook strip together slightly.

### Installation note

Start pressing on rail (7) at end of brace.

8 Raise soft top bow.



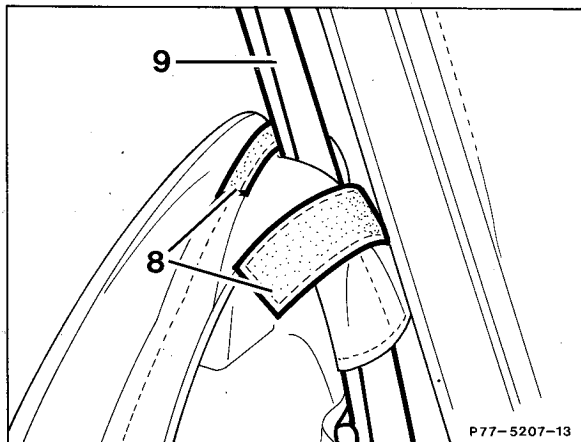
9 Fasten Velcro strip (8) to main pillar (9).



Fasten the Velcro strip (8) so that the two strips are exactly on top of one another.

10 Put soft top bow down.

11 Move soft top to vertical position.



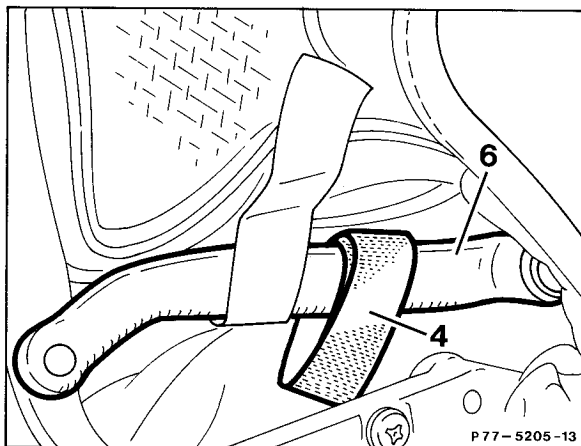
P77-5207-13

12 Fasten Velcro strip (4) to guide arm.



Fasten Velcro strip (4) so that a distance of approx. 15 mm is present between the guide arm (6) and Velcro strip (4).

13 Completely lock soft top.

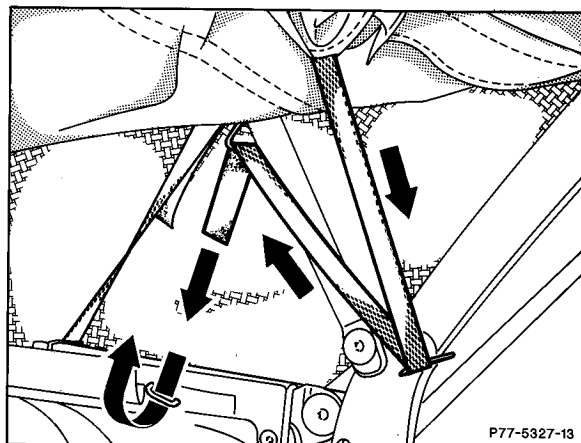


P77-5205-13

14 Thread Velcro strip (13) through soft top bow and corner brace (direction of arrow), tension, stick together and secure with clips 129 988 26 78 (3 each).



Tension the Velcro strip (13) so that the fastening seam on the headlining is no longer visible.



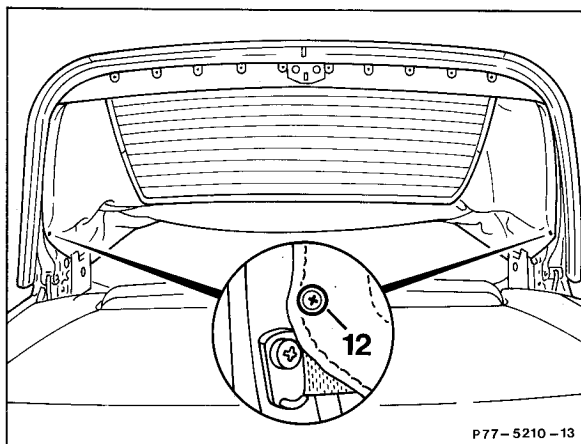
P77-5327-13

15 Attach headlining to soft top bow at side.



When installing maintain uniform gap between headlining and soft top compartment cover.

16 Screw in screw (12).

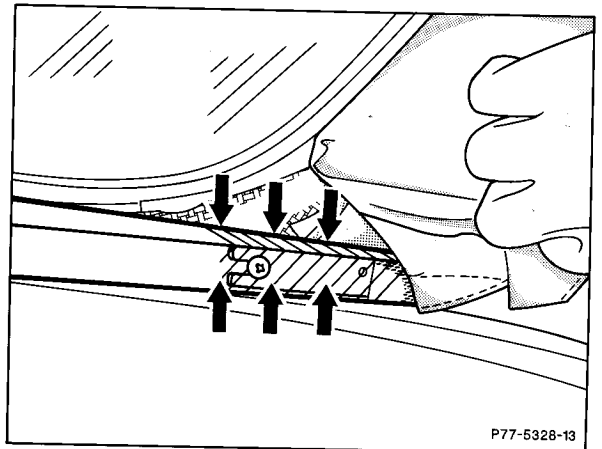


P77-5210-13

17 Apply glue to soft top bow (arrows) and glue on headlining.



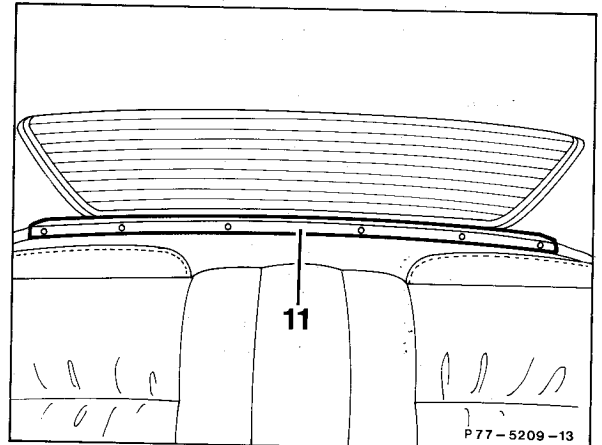
Glue headlining on so that folds do not form in the headlining when the soft top bow is locked in place after installation of the cover (11).



18 Install cover (11).

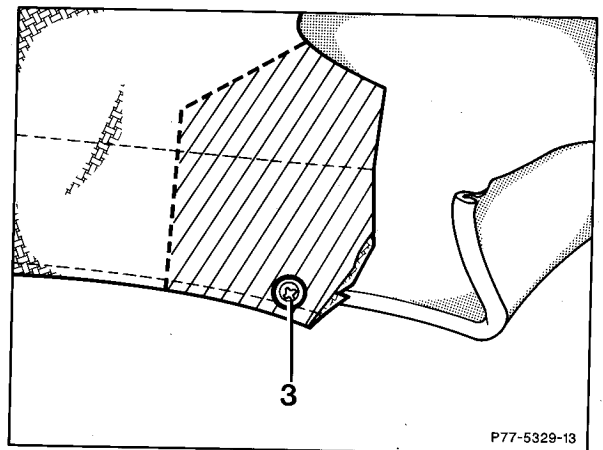
**Note**

When installing a new headlining it is necessary to cut off the projecting section of headlining after gluing onto the soft top bow.



19 Glue headlining to soft top frame with slight tension and screw in screw (3).

20 Fold soft top down into soft top compartment.



21 Install cover (2) and recessed handle (1).

