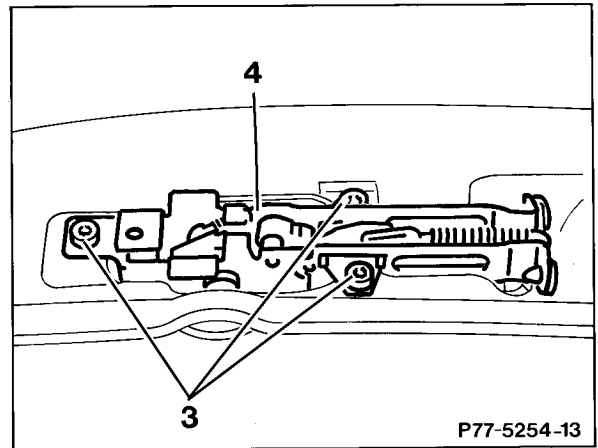
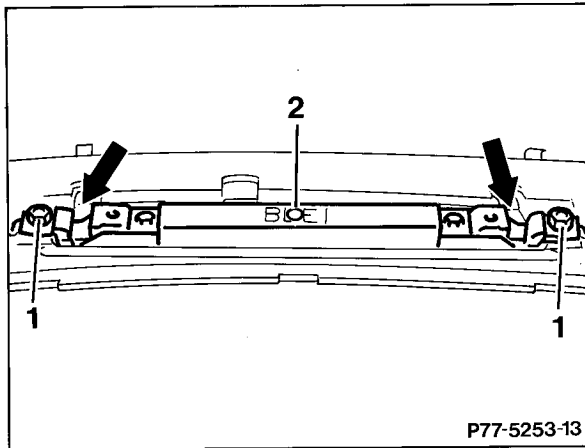


77-330 Removal and installation of left and right catches

Preliminary work:
Removal and installation of covering above windshield
(68-410).



Nut (1)	unscrew, screw on.
Vibration damper (2)	remove, install.
Plug connection S84/1x1 or S84/2x1 in area (arrows)	disconnect, connect.
Screw (3)	unscrew, screw in.
Plug (4)	remove, install.



Adjust handle on catch (77-334).