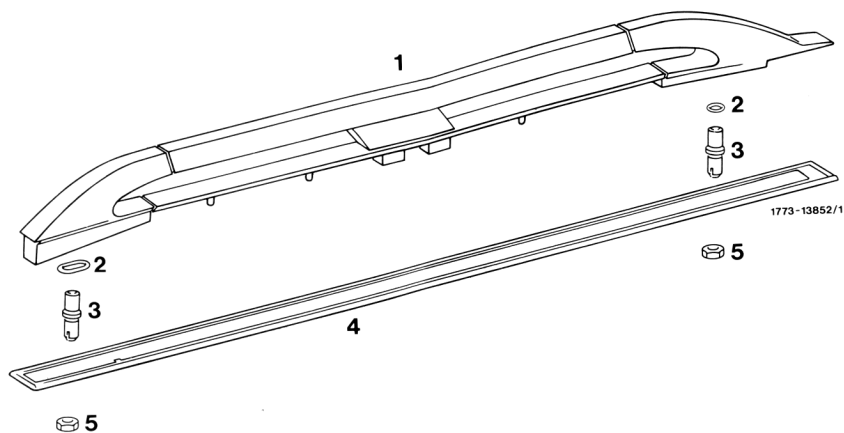


77-500 Removal and installation of roof rail (T-model)

Trim on center pillar rear removed (68-475)
 Trim on roof frame rear removed (68-447)
 Trim in rear compartment removed (68-478)

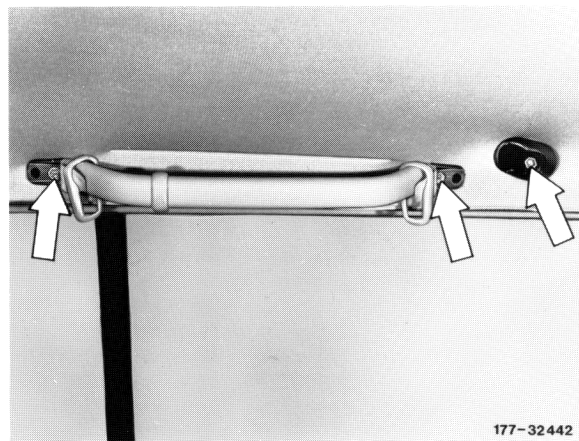
Gas pressure spring on back door left and right removed (72-360)
 Edge protection in range of headlining removed



- | | | |
|---|---------------|---|
| 1 | Roof rail | |
| 2 | Rubber ring | replace upon removal and additionally coat with MB universal sealing compound |
| 3 | Threaded bolt | |
| 4 | Rubber base | |
| 5 | Nut | 9 each, tightening torque: 10 Nm |

Removal

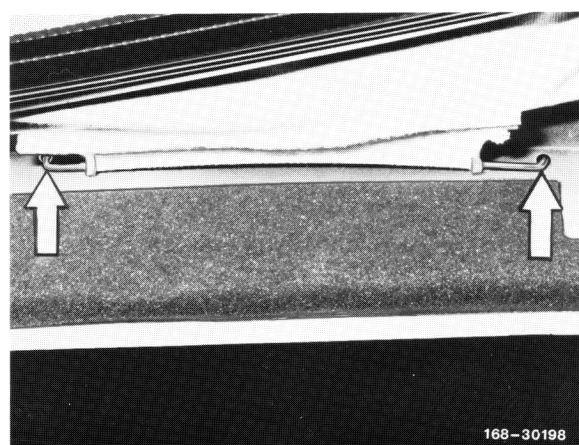
- 1 Unscrew grab handle in rear and plate for double roller blind.



2 Disengage headlining on roof frame at rear and laterally in loading space.



3 Disengage headlining in door range and the two wire rods laterally.



4 Unscrew nuts (9 each) on holders of roof rail and water deflector.

5 Remove roof rail in upward direction.



6 Replace rubber rings on threaded bolts and coat additionally with MB universal sealing compound.

7 Insert rubber base into roof rail.

8 Insert roof rail into roof panelling, position nuts and tighten starting at the rear and proceeding forward.

9 For further installation proceed in reverse order.

