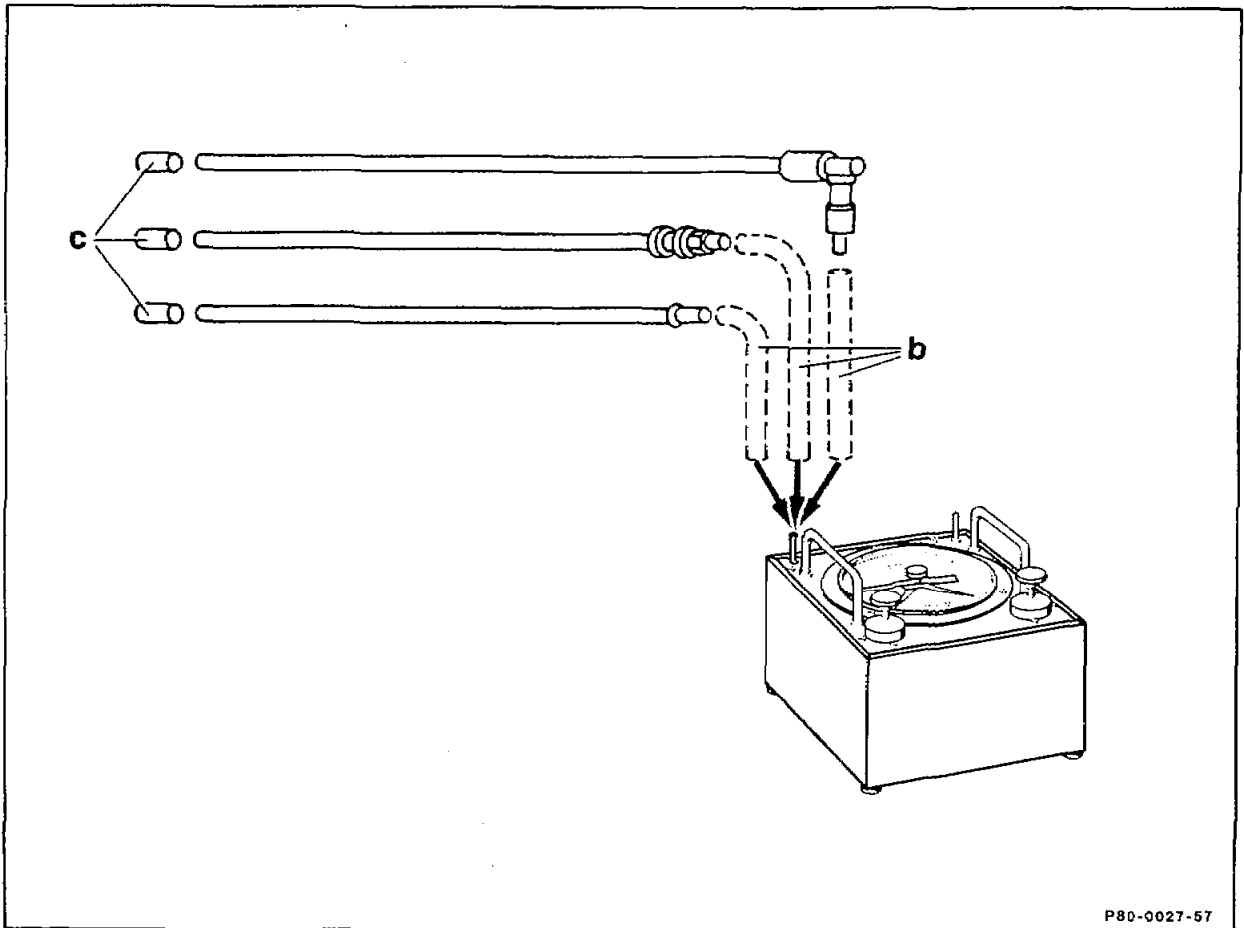


## 80-125 Checking pneumatic line for leaks

Preceding operation:  
Checking pneumatic function of actuator (80-116)

Operation no. of operation texts and work units  
or standard texts and flat rates .....



### Data

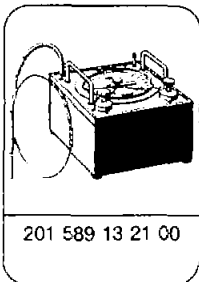
Permissible leak rate in 1 minute at 600 mbar pressure

mbar 0

Fit-on length of connectors and distributors

mm  $12 \pm 2$

### Special tool



201 589 13 21 00

**Parts for test****Part No.**

Sealing cap (c)

000 987 11 45

Connector (b)

007 997 61 82

**Preparing test**

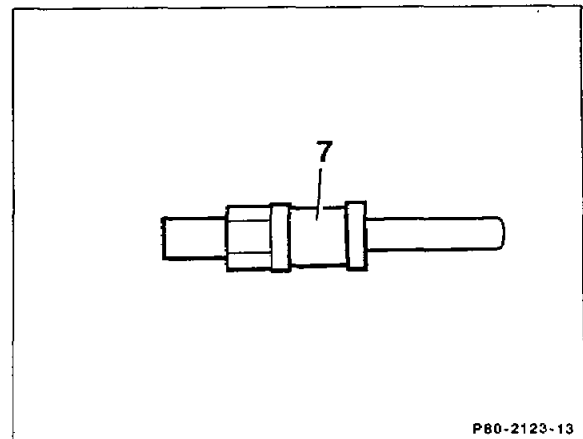
When performing the leak test on individual lines, connect tester to one end of the line and seal other end with cap 000 987 11 45.

Test step	Scope of test	Test connection	Operation/ Requirement	Specification	Possible cause/Remedy
1	Leak rate in pressure range	Yellow connection on tester	Pressurize pneumatic line with 600 mbar pressure	Pressure drop 0 mbar in 1 minute	Leak and pneumatic line/repair or renew.

**Repair instruction**

If leak exists at end of line, replace connection plug or connection bush by appropriate adapter with approx. 50 mm long rubber connector.

Repair leaks in line itself with rubber connector.



P80-2123-13