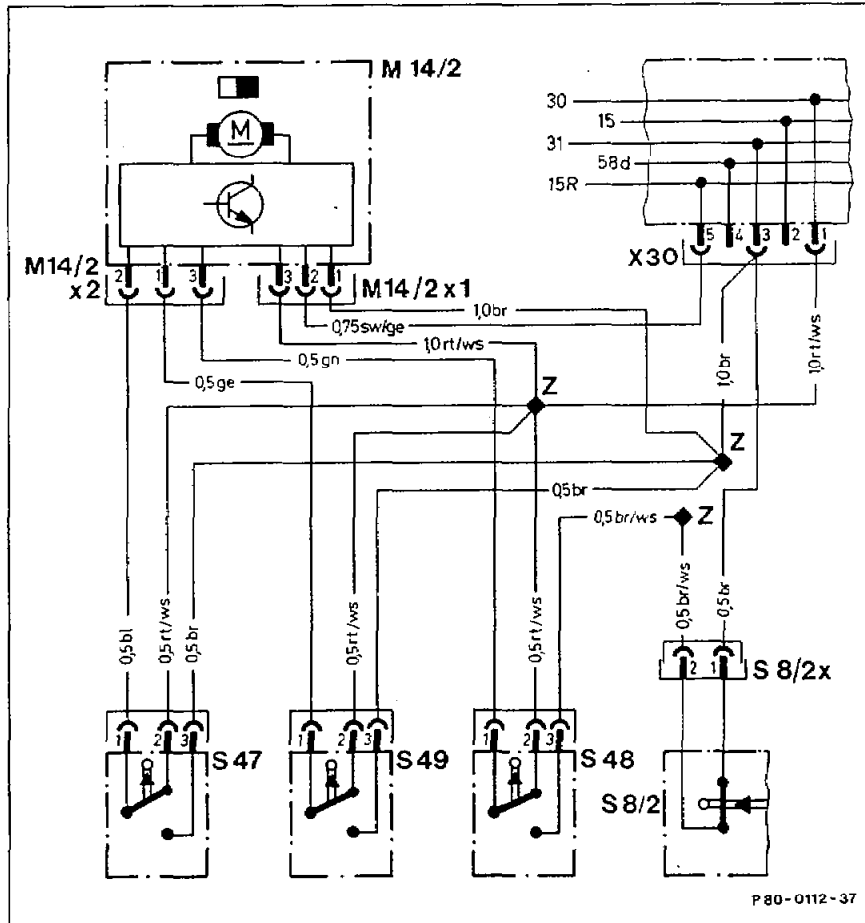


A. Sedan up to approx. 04/85

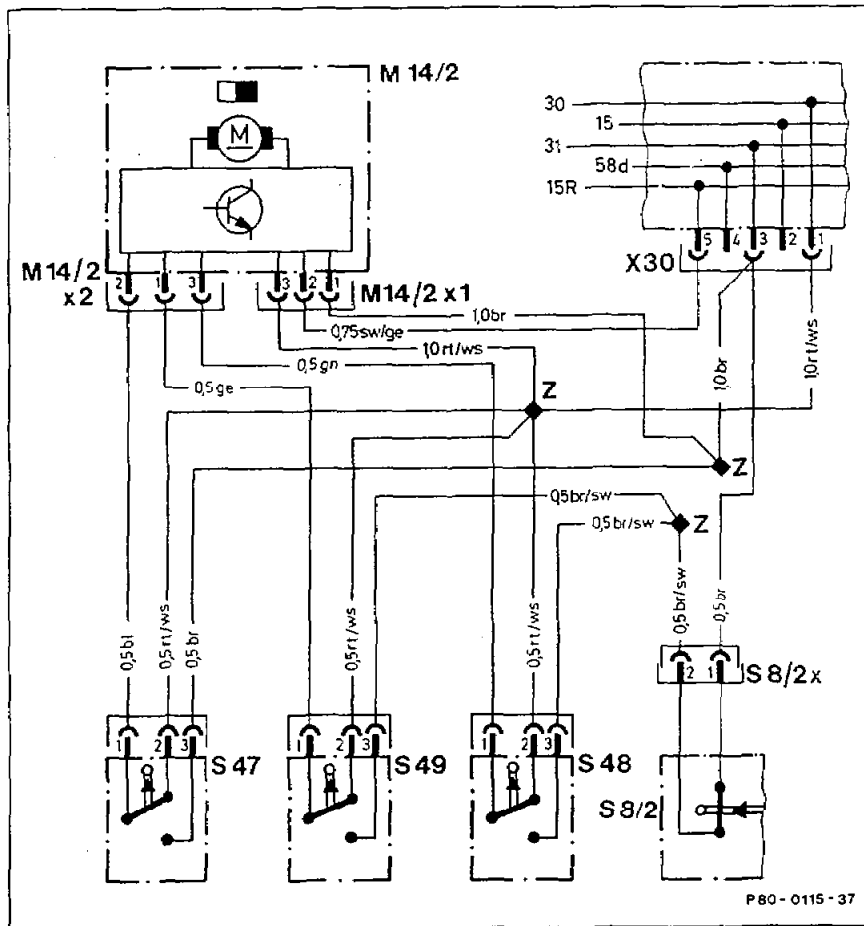


M14/2	Supply pump, central locking system with front orthopedic backrest	S8/2x	Connector, warning buzzer contact, lighting/central locking system
M14/2x1	Connector, power supply, supply pump central locking system with front orthopedic backrest	S47	Left front door actuator (RHD S48)
M14/2x2	Connector, control line, supply pump central locking system with front orthopedic backrest (anti-theft alarm harness may be connected into circuit)	S48	Right front door actuator (RHD S47)
S8/2	Warning buzzer contact, lighting/central locking system	S49	Trunk lid lock actuator
		X30	Connector plug, optional electrical equipment
		Z	Terminal sleeve, soldered connector in harness

Note

Black/yellow cable from M14/2x1 contact 2 to X30 contact 5 is installed only if orthopedic backrest fitted.

B. Station Wagon from approx. 05/85 to approx. 03/86

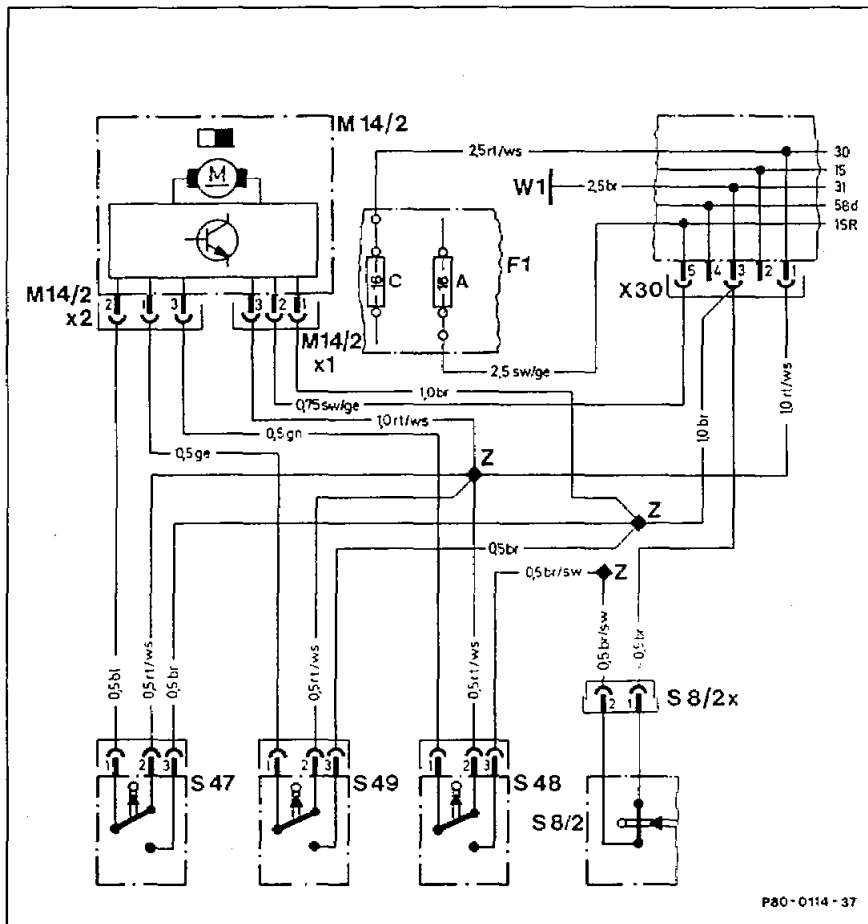


M14/2	Supply pump, central locking system with front orthopedic backrest	S8/2x	Connector, warning buzzer contact, lighting/central locking system
M14/2x1	Connector, power supply, supply pump central locking system with front orthopedic backrest	S47	Left front door actuator (RHD S48)
M14/2x2	Connector, control line, supply pump central locking system with front orthopedic backrest (anti-theft alarm harness may be connected into circuit)	S48	Right front door actuator (RHD S47)
S8/2	Warning buzzer contact, lighting/central locking system	S49	Trunk lid lock actuator
		X30	Connector plug, optional electrical equipment
		Z	Terminal sleeve, soldered connector in harness

Note

Black/yellow cable from M14/2x1 contact 2 to X30 contact 5 is installed only if orthopedic backrest fitted.

C. Sedan from approx. 04/86

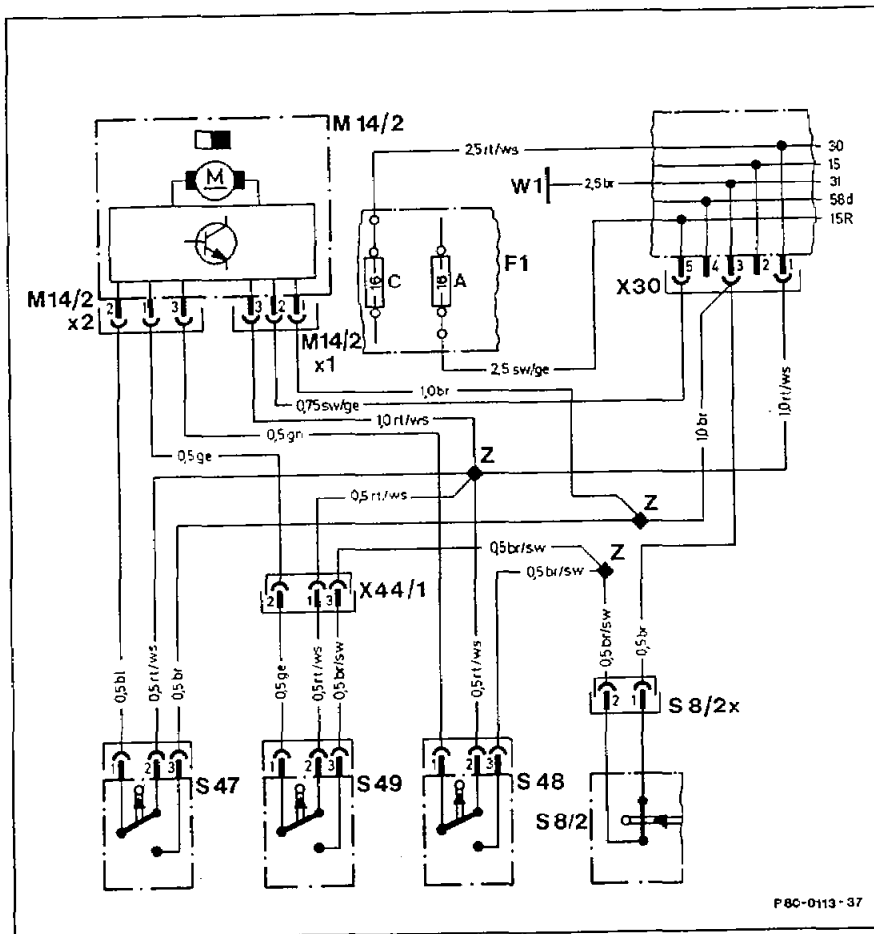


F1	Fuse and relay box Fuse A, Terminal 15R Fuse C, Terminal 30	S8/2x	Connector, warning buzzer contact, lighting/central locking system
M14/2	Supply pump, central locking system with front orthopedic backrest	S47	Left front door actuator (RHD S48)
M14/2x1	Connector, power supply, supply pump central locking system with front orthopedic backrest	S48	Right front door actuator (RHD S47)
M14/2x2	Connector, control line, supply pump central locking system with front orthopedic backrest (anti-theft alarm harness may be connected into circuit)	S49	Trunk lid lock actuator
S8/2	Warning buzzer contact, lighting/central locking system	W1	Main ground (behind instrument cluster)
		X30	Connector plug, optional electrical equipment
		Z	Terminal sleeve, soldered connector in harness

Note

Black/yellow cable from M14/2x1 contact 2 to X30 contact 5 is installed only if orthopedic backrest fitted.

D. Station Wagon



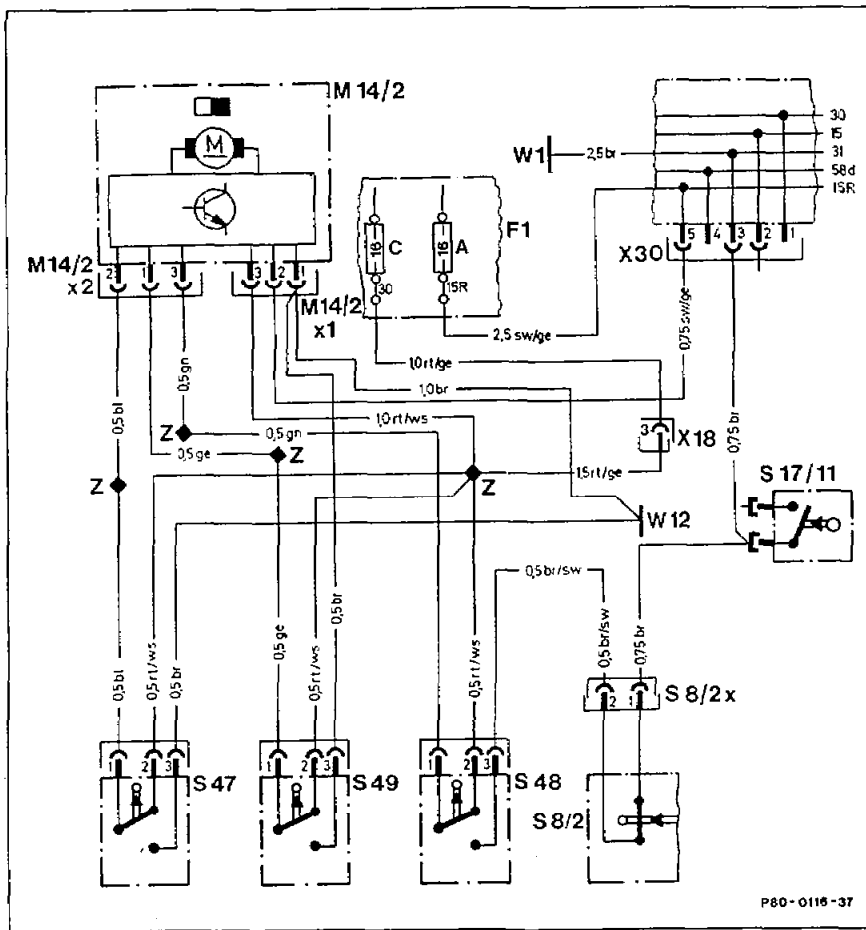
P8C-0113-37

F1	Fuse and relay box Fuse A, Terminal 15R Fuse C, Terminal 30	S8/2x	Connector, warning buzzer contact, lighting/central locking system
M14/2	Supply pump, central locking system with front orthopedic backrest	S47	Left front actuator (RHD S48)
M14/2x1	Connector, power supply, supply pump central locking system with front orthopedic backrest	S48	Right front actuator (RHD S47)
M14/2x2	Connector, control line, supply pump central locking system with front orthopedic backrest (anti-theft alarm harness may be connected into circuit)	S49	Trunk lid lock actuator
S8/2	Warning buzzer contact, lighting/central locking system	W1	Main ground (behind instrument cluster)
		X30	Connector plug, optional electrical equipment
		X44/1	Connector central locking system/trunk lid lock
		Z	Terminal sleeve, soldered connector in harness

Note

Black/yellow cable from M14/2x1 contact 2 to X30 contact 5 is installed only if orthopedic backrest fitted.

E. Coupé and cabriolet



F1	Fuse and relay box Fuse A, Terminal 15R Fuse C, Terminal 30	S8/2x	Connector, warning buzzer contact, lighting/central locking system
M14/2	Supply pump, central locking system with front orthopedic backrest	S17/11	Left door switch, seat belt extender, entry lamp (RHD S17/12)
M14/2x1	Connector, power supply, supply pump central locking system with front orthopedic backrest	S47	Left front door actuator (RHD S48)
M14/2x2	Connector, control line, supply pump central locking system with front orthopedic backrest (anti-theft alarm harness may be connected into circuit)	S48	Right front door actuator (RHD S47)
S8/2	Warning buzzer contact, lighting/central locking system	S49	Trunk lid lock actuator
		W1	Main ground (behind instrument cluster)
		W12	Ground, centre console
		X18	Connector, interior/tail lamp harness
		X30	Connector plug, optional electrical equipment
		Z	Terminal sleeve, soldered connector in harness

Note

Black/yellow cable from M14/2x1 contact 2 to X30 contact 5 is installed only if orthopedic backrest fitted.